





Assembly Instructions

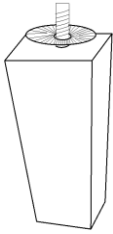
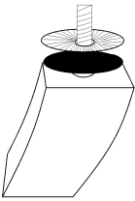
Caution : You must read this before you proceed

Push Back Chair

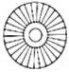


Parts List

Label	Picture	Description	QTY (pc)
A		Chair Backrest	1
B		Chair Base With Footrest	1
C		Right Wing(C)	1
D		Left Wing(D)	1

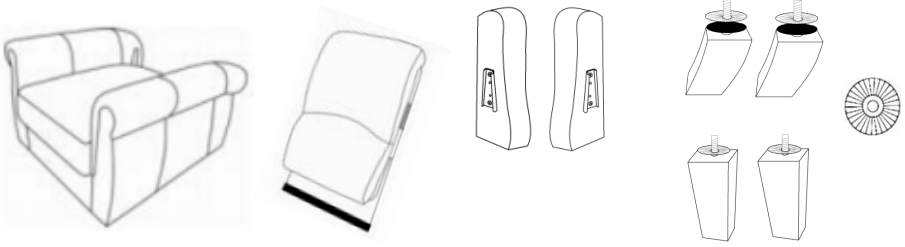
E		Front Leg with 1 Plastic Gasket	2
F		Hind Leg with 1 Silicone Gasket and 1 Plastic Gasket	2

Hardware List

Label	Picture	Description	QTY (pc)
①		Extra Gaskets, available for Sofa Unevenness/Wobbles Adjustments	1

Assembly Preparation

Before Beginning Assembly:




- Read instructions, cover to cover-



- Have 2 adults on hand for assembly-



- Do not assemble on flooring or carpet-



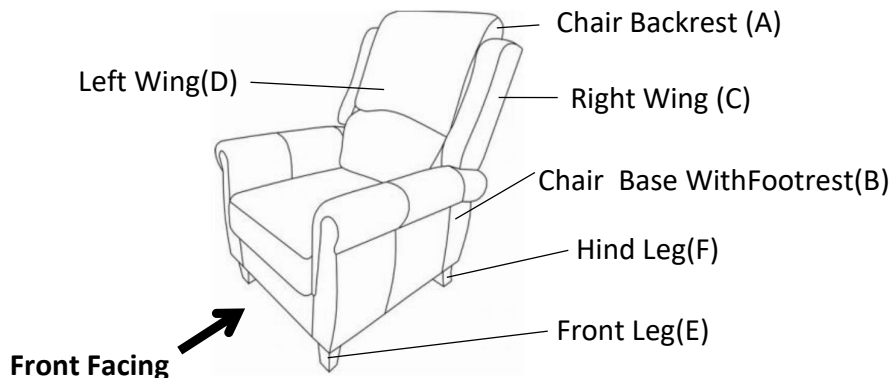
- Assemble on a clean non-marring surface (packing foam)-



- Save all packaging until finished-

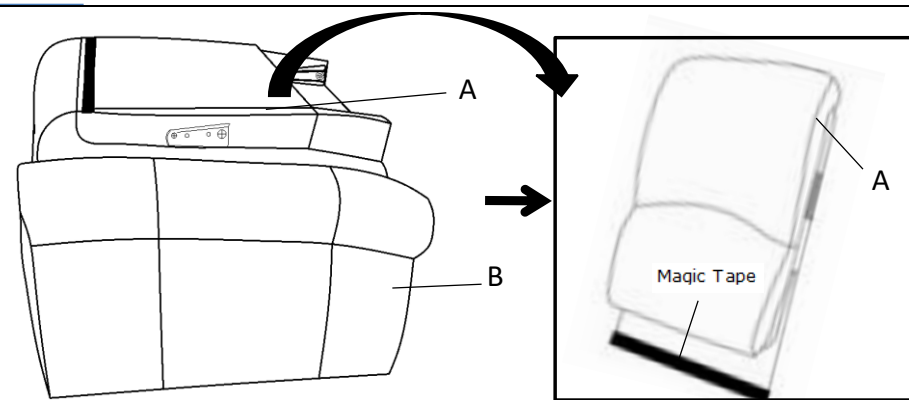
Assembly Steps

Parts Introduction



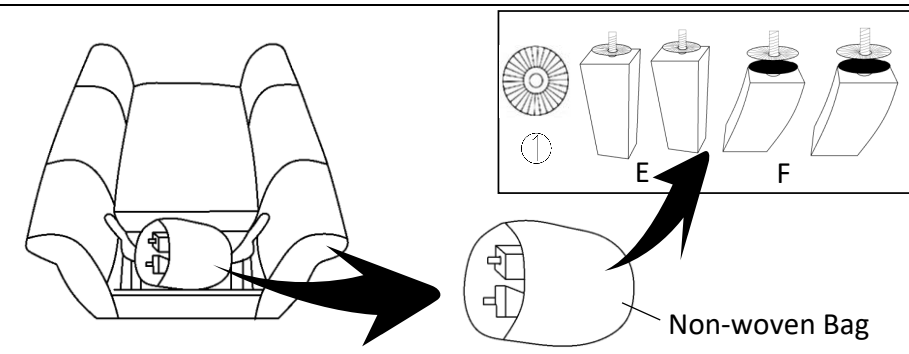
This product has multiple parts and may require up to some 30 minutes to assemble. To give you an overview of the product parts, the above picture is to help you put the various parts into perspective. Please read through the instructions below to familiarise yourself with the parts and steps before assembly.

Step 1



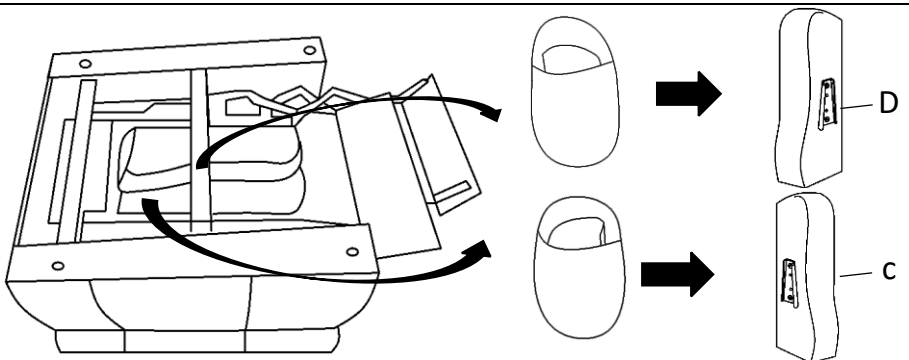
Take out the Chair Backrest(A) from Chair Base with Footrest(B).

Step 2



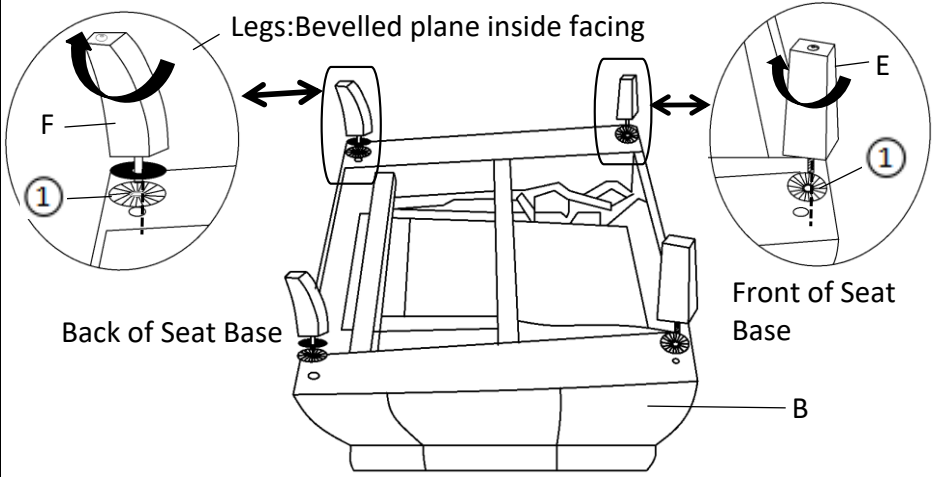
Place the Chair Base with Footrest(B) facedown on a clean, non-marring surface.
Lay Chair Backrest(A) and carton box aside.
Open the carton box and take out the Front Legs(E), Hind Legs(F) and Extra Gasket(Ⓢ).

Step 3



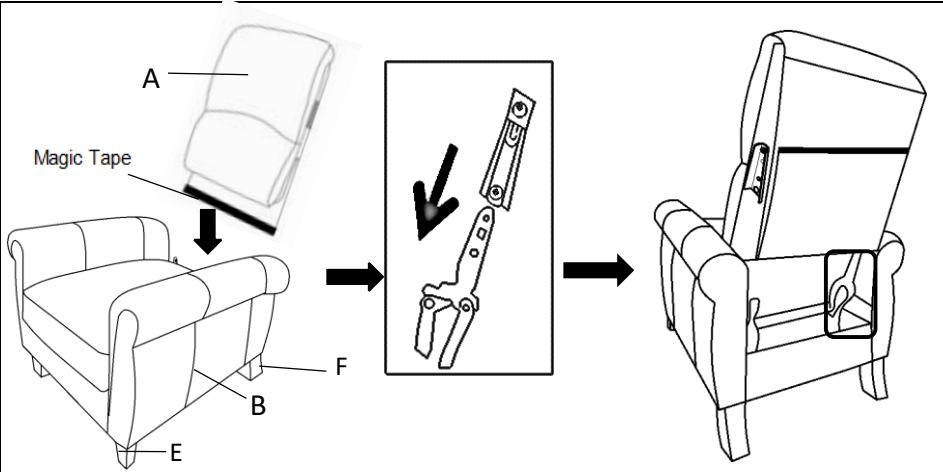
Turn the Chair Base with Footrest(B) upside down on a clean, non-marring surface. Take out 2 non-woven bags with Wing inside from the bottom of the mechanism. Then take out the Right Wings(C) and Left Wings(D) from non-woven bags.

Step 4



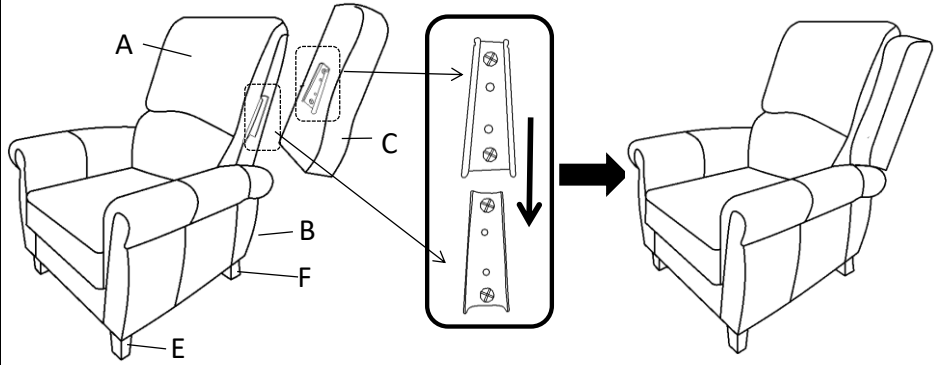
Keep the Chair Base with Footrest(B) in the same position. First, install the Front Legs(E) at the bottom of the Chair by placing one Extra Gasket ① on the threaded stem. Then insert threaded stem into the threaded mounting position at the corner of the Chair. Tighten by turning the Leg clockwise. Do not over tighten. Repeat the same process to install the remaining three Legs(E)(F). Take care of the shape of the Legs and ensure they in the correct postions. Note: The use of Gaskets are OPTIONAL and are especially useful to help alleviate slight wobbleness. Some Legs may need more than one gasket whilst some Legs may not need any.

Step 5



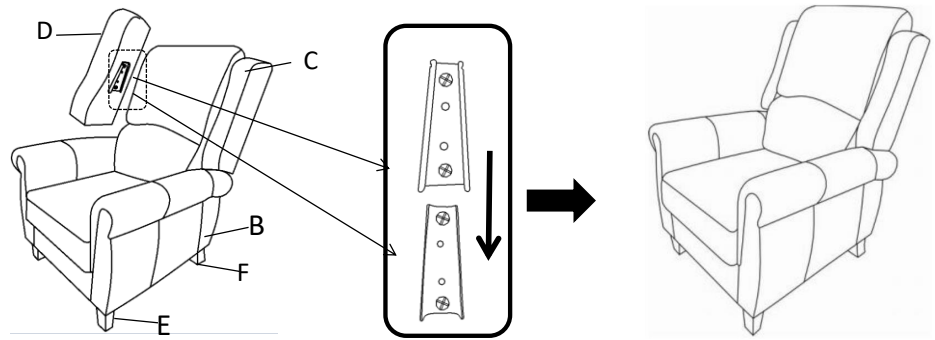
With assistance from your adult partner, hold up the fully assembled backrest, stand behind the Chair Backrest. while standing behind the Chair. Insert the small metal arms on the sides of the Chair Backrest(A) into the prefabricated slide lock gadget on the Chair Base with Footrest(B) as shown above. Firmly but gently, push the Chair Backrest(A) downwards until the Chair Backrest(A) is fully slotted and locked into position.

Step 6



Position the Chair Backrest(A) on it's right side. Align the mounting brackets of the Right Wing(C) with those on the right side of Chair Backrest(A). Then slide Right Wing(C) forward by hand to make sure it locks into the position as shown in the picture.

Step 7

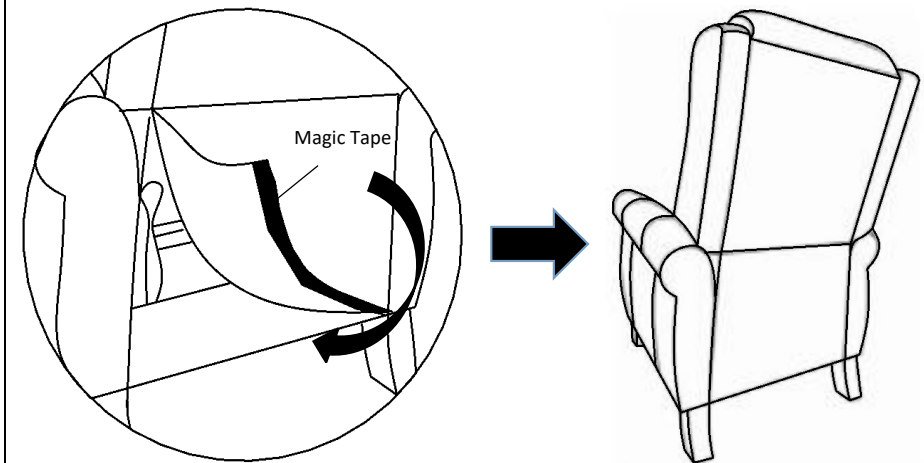


Position the Chair Backrest(A) on it's left side.

Align the mounting brackets of the Left Wing(D) with those on the left side of Chair Backrest(A).

Then slide Left Wing(D) forward by hand to make sure it locks into the position as shown in the picture.

Step 8

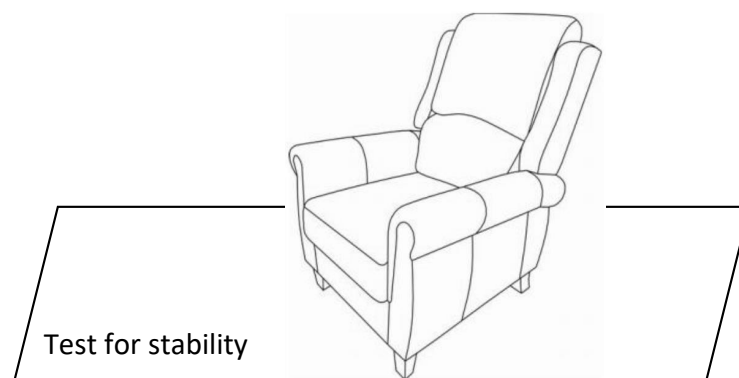


Smooth down the fabric flap on the Chair Backrest(A).

Run your hands down both sides of the flap,from top to bottom,allowing the Magic tape to adhere to the flap under the seat of the Chair.

Your Push Back Chair is ready for use.

Step 9



Make sure all parts are connected and securely locked into position.

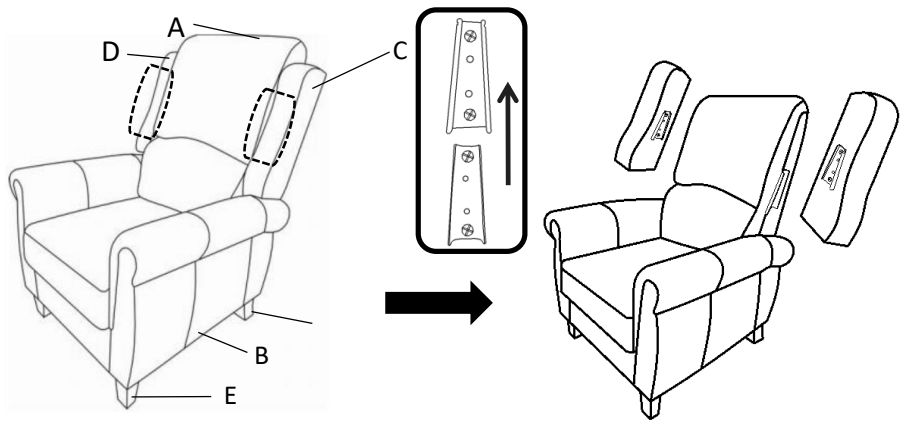
Position Chair right side up and test for stability.

Your Chair is ready for use.

This Chair can only be used on a flat, level surface.

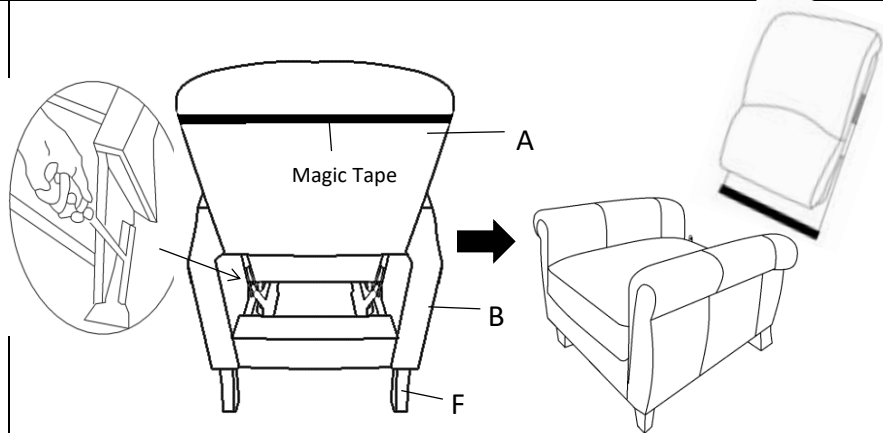
This Power Reclining Chair can only be used on a flat, level surface.

Step 10



Push up the Right Wing(C) and Left Wing (D) one by one until taken off from the Backrest (A).

Step 11



Disassembly Note:open the flap on the Chair Backrest(A),use a screwdriver(Don't use fingers) pressing outward on the metal ear on the preattached Metal Bracket on one side of the Chair Base(B),with assistance of you adult partner to keep the Chair Base(B) in place,pull out the Chair Backrest(A) upward at the same time,repeat the same step for another side.Then the Chair Backrest(A) can be taken out.

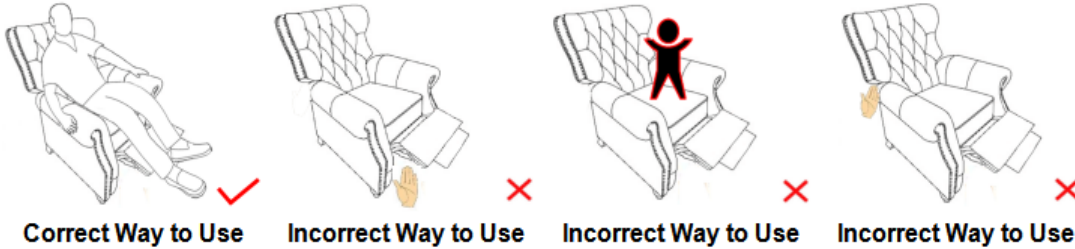
User Instructions.

Push Back Chair

Please read the Instruction Manual below carefully before use.

Supervise children,when in use of this Push Back Chair.

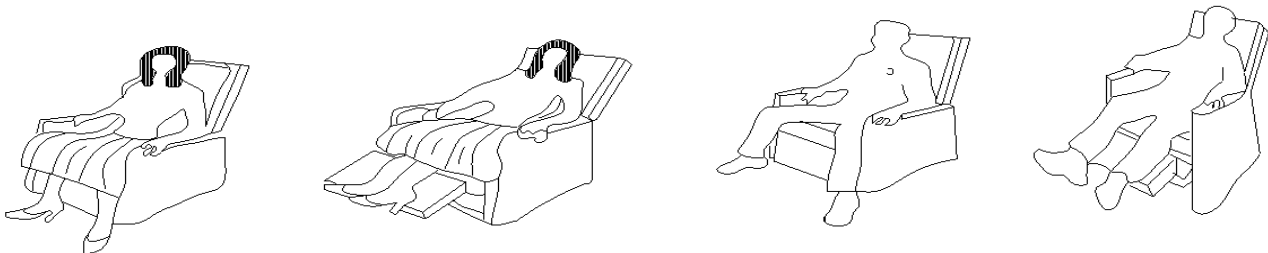
Warning



Do not allow children to play on the chair.
Always leave the chair in an upright and closed position after use!
Keep hands and feet clear of the footrest mechanism and ANY gaps.
Only the occupant should operate the chair.

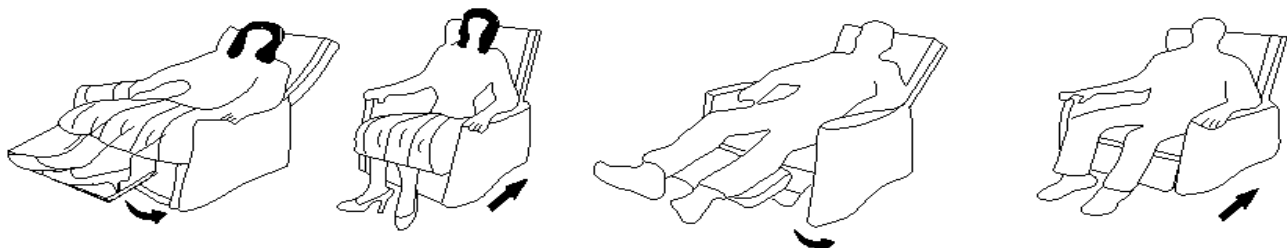
To get into a open position-To push the Chair Backrest

Sit into the seat.
The Chair Backrest will fall down and footrest will open when push the Chair Backrest by your back. So do must put your feet on footrest well when you push down the Chair Backrest. Open the trigger on the outside of right armrest.
Use your body weight and push backwards into the seat into a fully reclined position.














to get out of chair-move Seatback into Upright Position

Tilt your body weight slightly forward and upwards.
The seat back will come up to an upright position.
Use your feet to push the footrest down.
The Chair will automatically lock when it is in the fully upright position.
Where necessary,use your arms help lift/push yourself out of the seat



Care & Maintenance

- ✓  • Furniture may scratch floors. We recommend using furniture pads to protect your floors.
 - ⊘  • Do not put hot items directly on furniture surface.
 - ⊘  • Do not clean furniture with harsh cleansers or polish.
 - ⊘  • Do not place furniture under direct sunlight.
 - ⊘  • Do not place furniture near heating or cooling vents.
 - ⊘  • Do not write on furniture without a padded barrier to protect the surface.
 - ⊘  • Do not place furniture outside . For indoor use only.
 - ⊘  • Not for commercial use. For residential use only.
 - ⊘  • Stains may be removed with mild soap solution and damp cloth.
 - ⊘  • Children should not climb or jump on the furniture.
-
- ✓  • Dust and pick-up spills using a clean, non-colored, lint-free cloth.

Questions & Answers about Proposition 65

• What is Proposition 65?

Proposition 65 requires businesses to provide warnings to Californians about significant exposures to chemicals that cause cancer, birth defects or other reproductive harm.

These chemicals can be in the products that Californians purchase, in their homes or workplaces, or that are released into the environment. By requiring that this information be provided, Proposition 65 enables Californians to make informed decisions about their exposures to these chemicals.

Proposition 65 also prohibits California businesses from knowingly discharging significant amounts of listed chemicals into sources of drinking water.

Proposition 65 requires California to publish a list of chemicals known to cause cancer, birth defects or other reproductive harm. This list, which must be updated at least once a year, has grown to include approximately 900 chemicals since it was first published in 1987.

• What types of chemicals are on the Proposition 65 list?

The list contains a wide range of naturally occurring and synthetic chemicals that include additives or ingredients in pesticides, common household products, food, drugs, dyes, or solvents. Listed chemicals may also be used in manufacturing and construction, or they may be byproducts of chemical processes, such as motor vehicle

• What does a warning mean?

If a warning is placed on a product label or posted or distributed at a workplace, a business, or in rental housing, the business issuing the warning is aware or believes that it is exposing individuals to one or more listed chemicals.

By law, a warning must be given for listed chemicals unless the exposure is low enough to pose no significant risk of cancer or is significantly below levels observed to cause birth defects or other reproductive harm.

• Where can I get more information on Proposition 65?

If you have specific questions on the administration or implementation of Proposition 65, you can contact OEHHA's Proposition 65 program at P65.Questions@oehha.ca.gov, or by phone at (916) 445-6900.