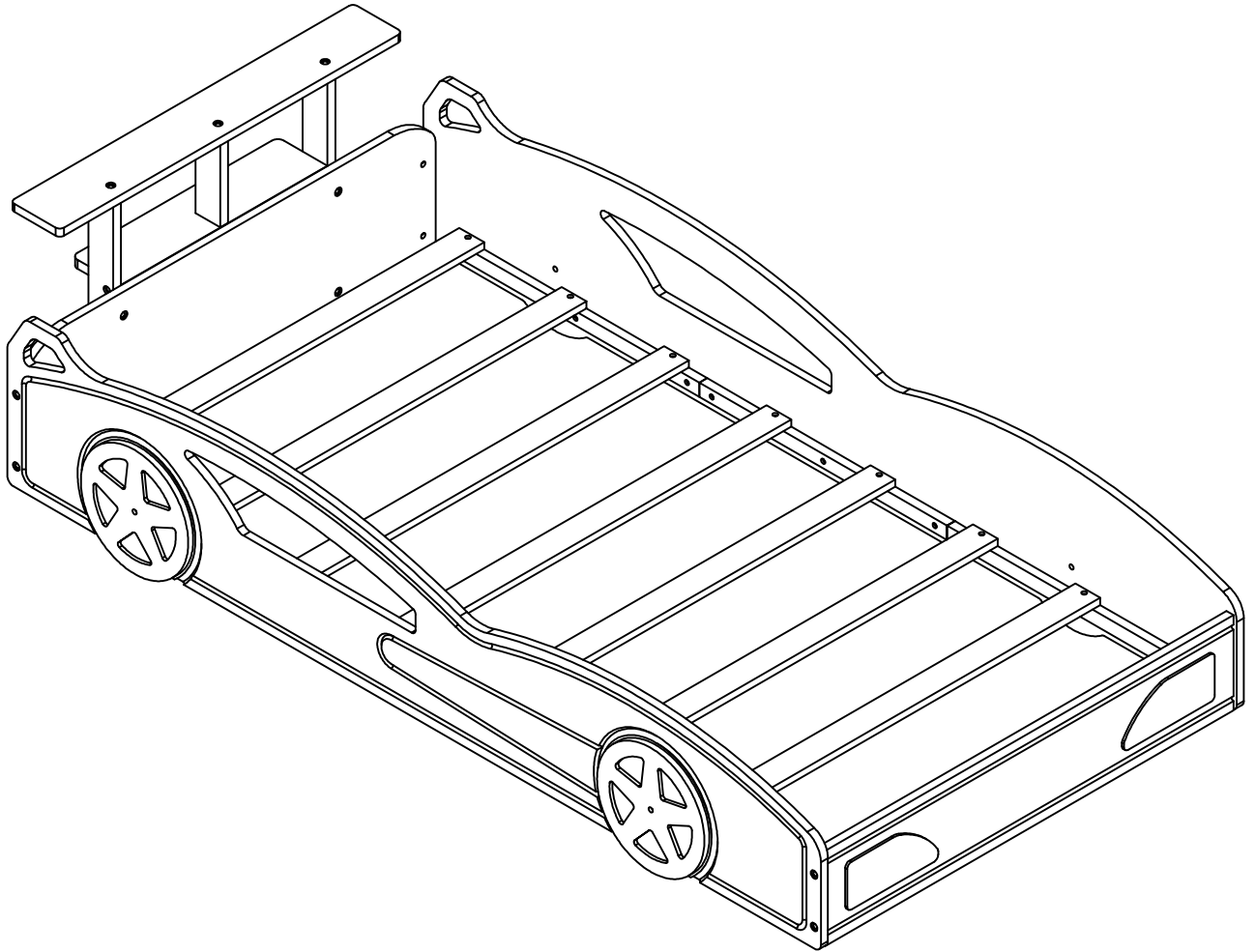
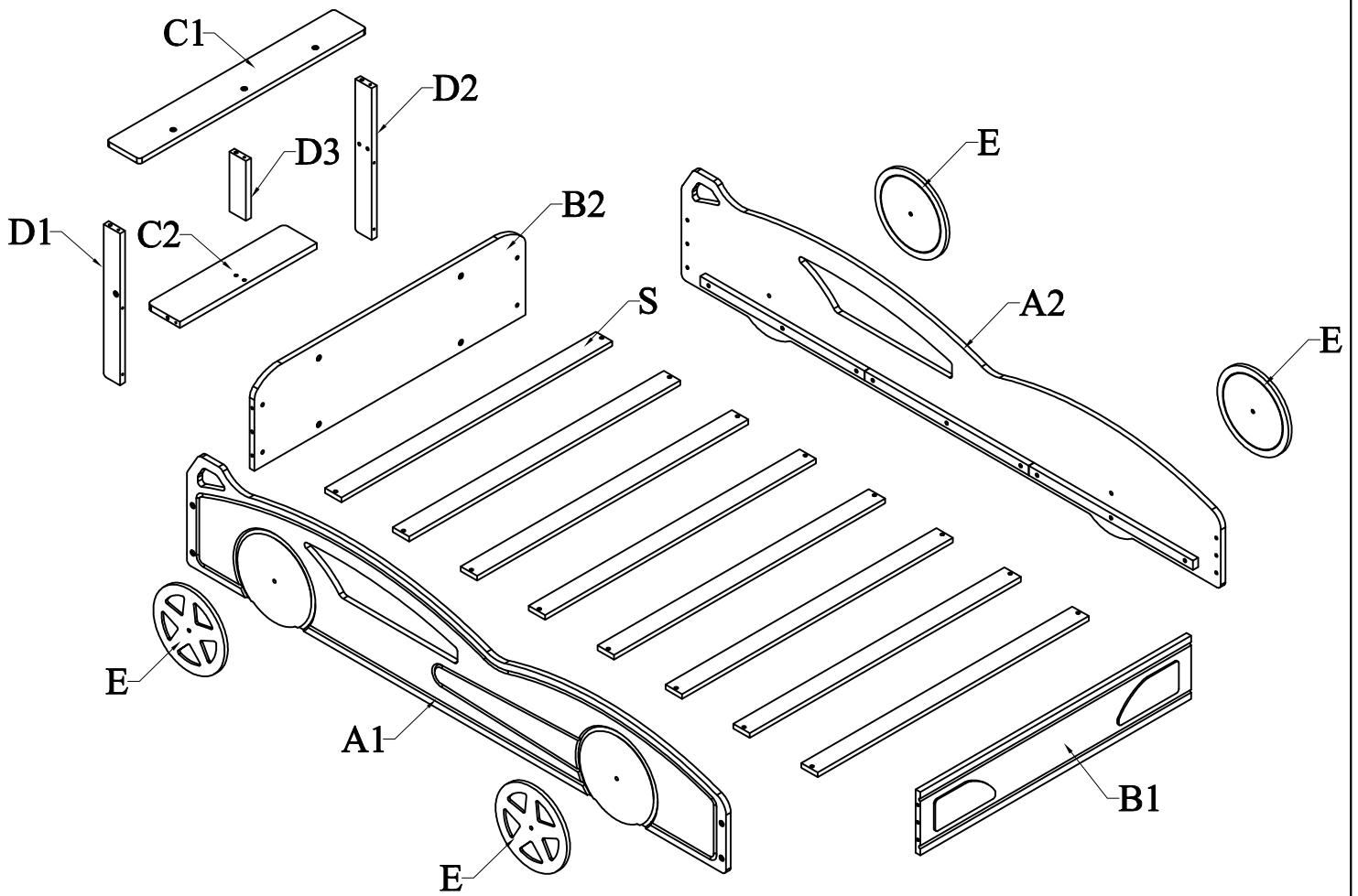


ASSEMBLY INSTRUCTIONS

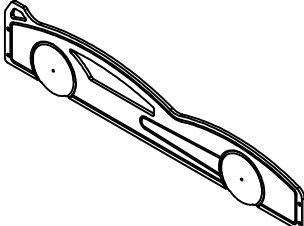
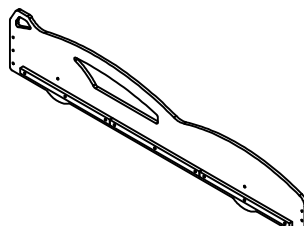
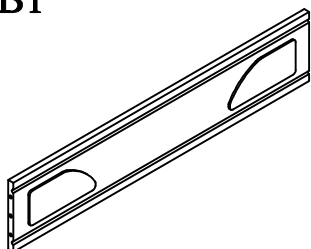
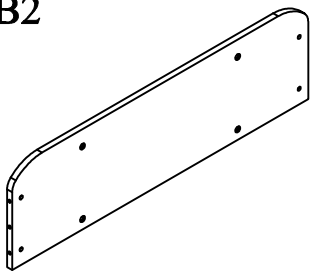
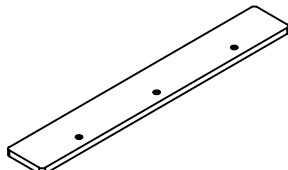
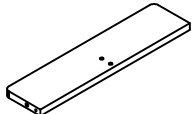




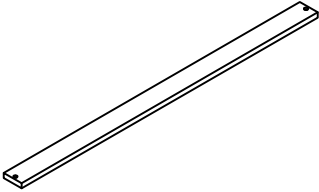
ITEM CODE: WF310553



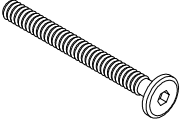
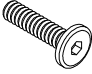
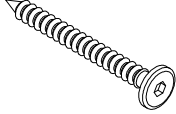
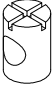
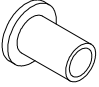
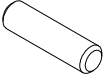
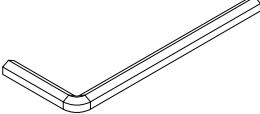
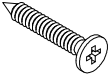
DETAIL VIEW



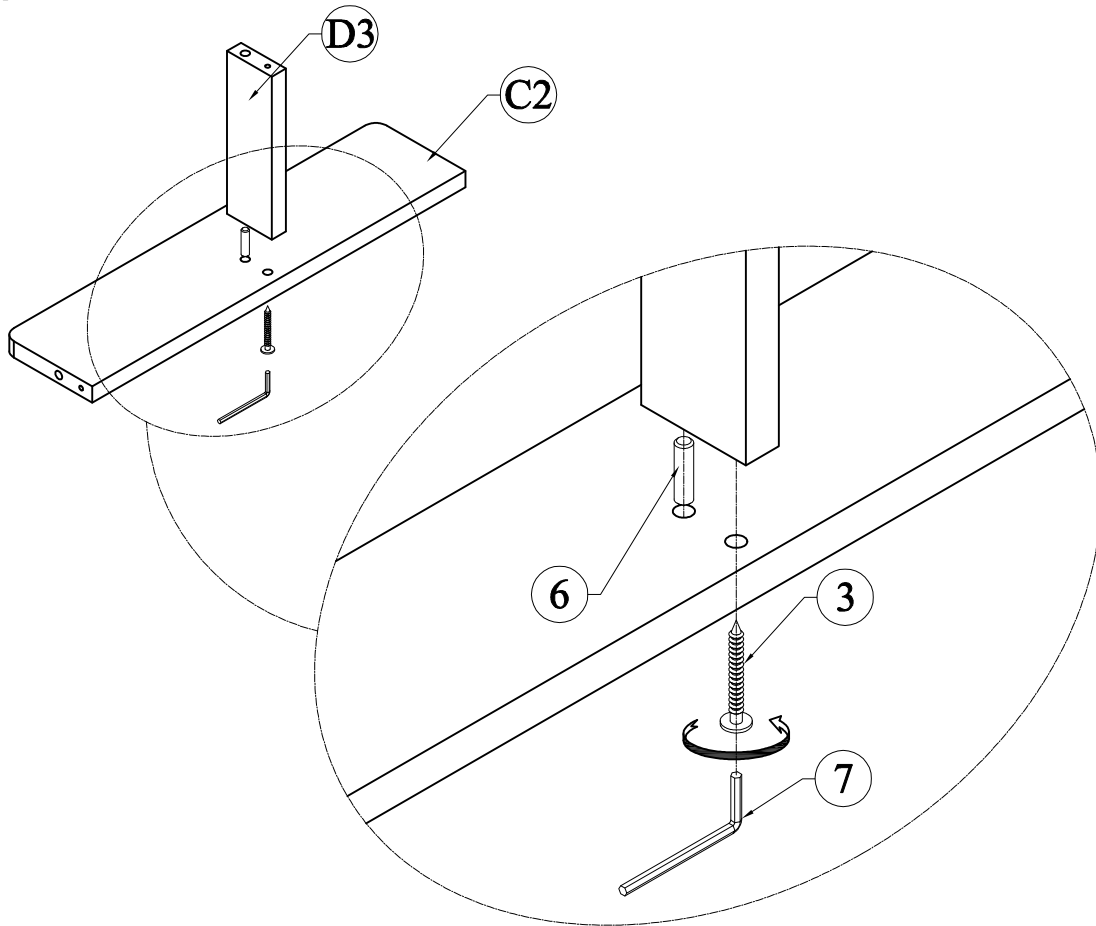
BOX 1: WF310553

<p>A1</p>  <p>Side rail - left (1pc)</p>	<p>A2</p>  <p>Side rail - right (1pc)</p>	<p>B1</p>  <p>Footboard panel (1pc)</p>	<p>B2</p>  <p>Headboard panel (1pc)</p>
<p>C1</p>  <p>Top back rail (1pc)</p>	<p>C2</p>  <p>Bottom back rail (1pc)</p>	<p>D1</p>  <p>Vertical rail - left (1pc)</p>	<p>D2</p>  <p>Vertical rail - right (1pc)</p>
<p>D3</p>  <p>Vertical rail - middle(1pc)</p>	<p>E</p>  <p>Wheel car (4pcs)</p>	<p>S</p>  <p>Slats (08pcs)</p>	

HARDWARE LIST: WF310553

<p style="text-align: center;">1</p>  <p style="text-align: center;">Hex - Head bolts Ø1/4" * 60- 8pcs</p>	<p style="text-align: center;">2</p>  <p style="text-align: center;">Hex - Head bolts Ø1/4" * 25- 4pcs</p>	<p style="text-align: center;">3</p>  <p style="text-align: center;">Hexagonal bolts catch wood Ø1/4" * 50 - 10pcs</p>	<p style="text-align: center;">4</p>  <p style="text-align: center;">Horizontal - Hold bolts Ø1/4" - 8pcs</p>
<p style="text-align: center;">5</p>  <p style="text-align: center;">Canopy head though Ø1/4" - 4pcs</p>	<p style="text-align: center;">6</p>  <p style="text-align: center;">Wood dowel Ø8 * 30 - 10pcs</p>	<p style="text-align: center;">7</p>  <p style="text-align: center;">Allen key K4 - 2pcs</p>	<p style="text-align: center;">8</p>  <p style="text-align: center;">Wood crews M4 * 30 - 16pcs</p>

STEP 1



3



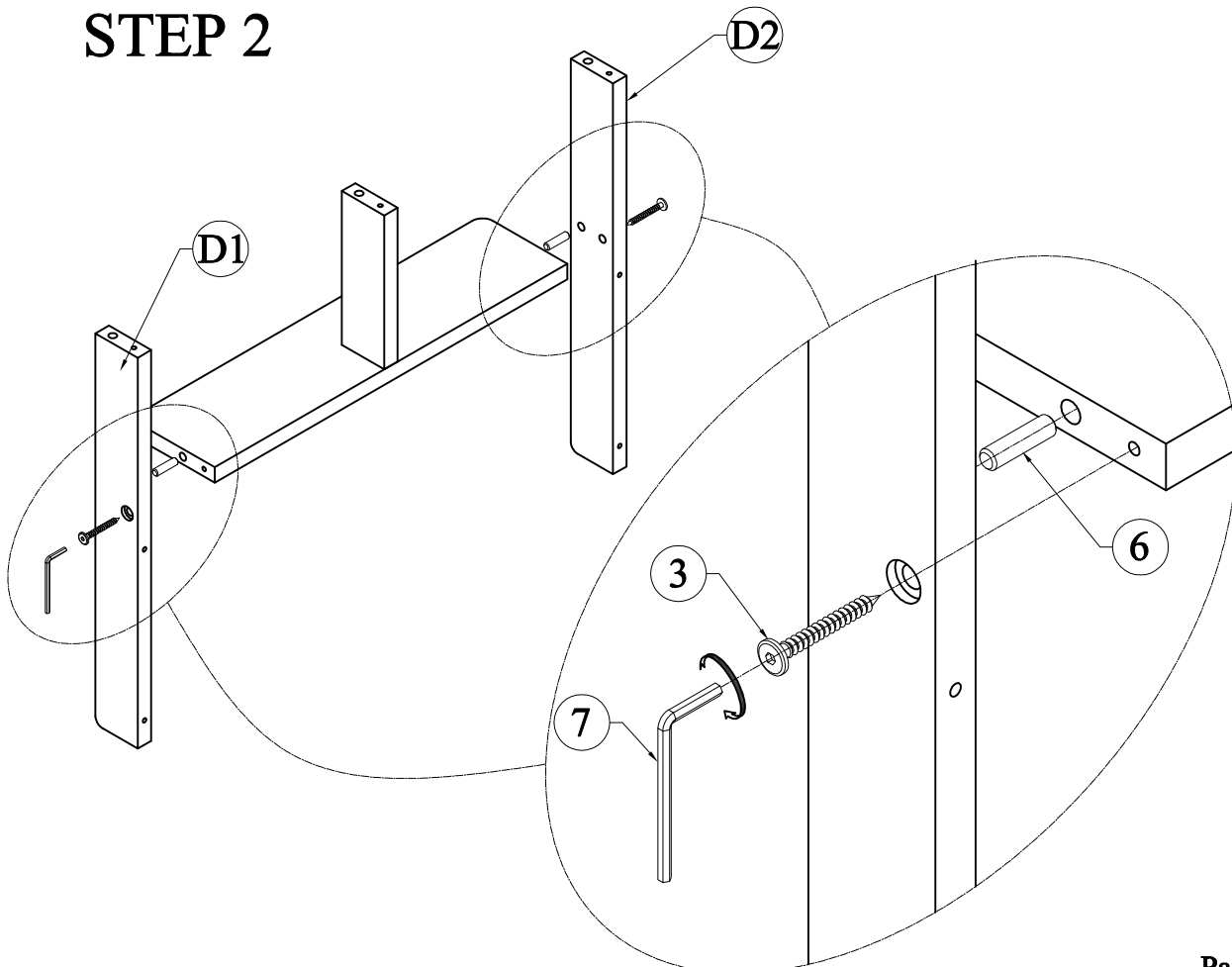
Hexagonal bolts catch wood
Ø1/4" * 50 - 1pc

6



Wood dowel
Ø8 * 30 - 1pc

STEP 2



3



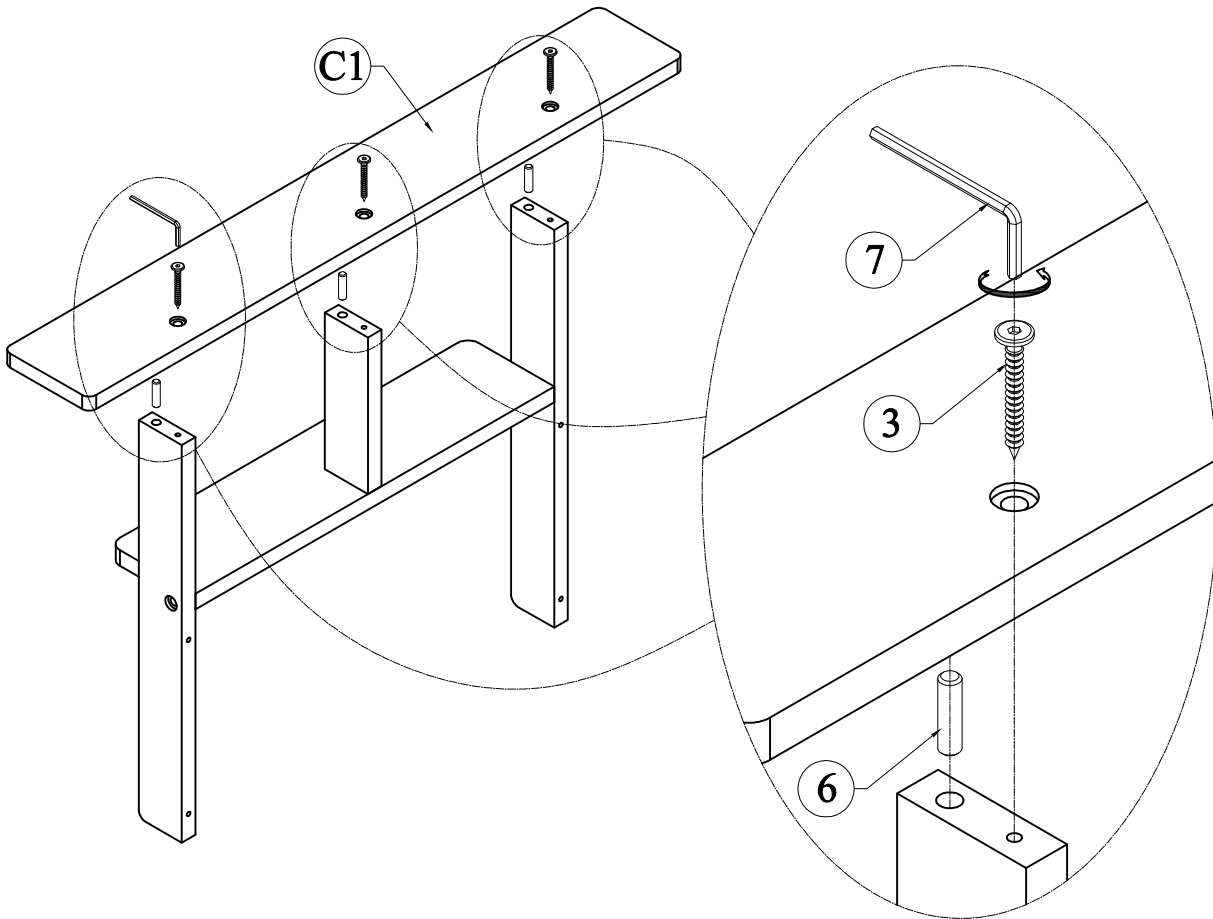
Hexagonal bolts catch wood
Ø1/4" * 50 - 2pcs

6



Wood dowel
Ø8 * 30 - 2pcs

STEP 3



3



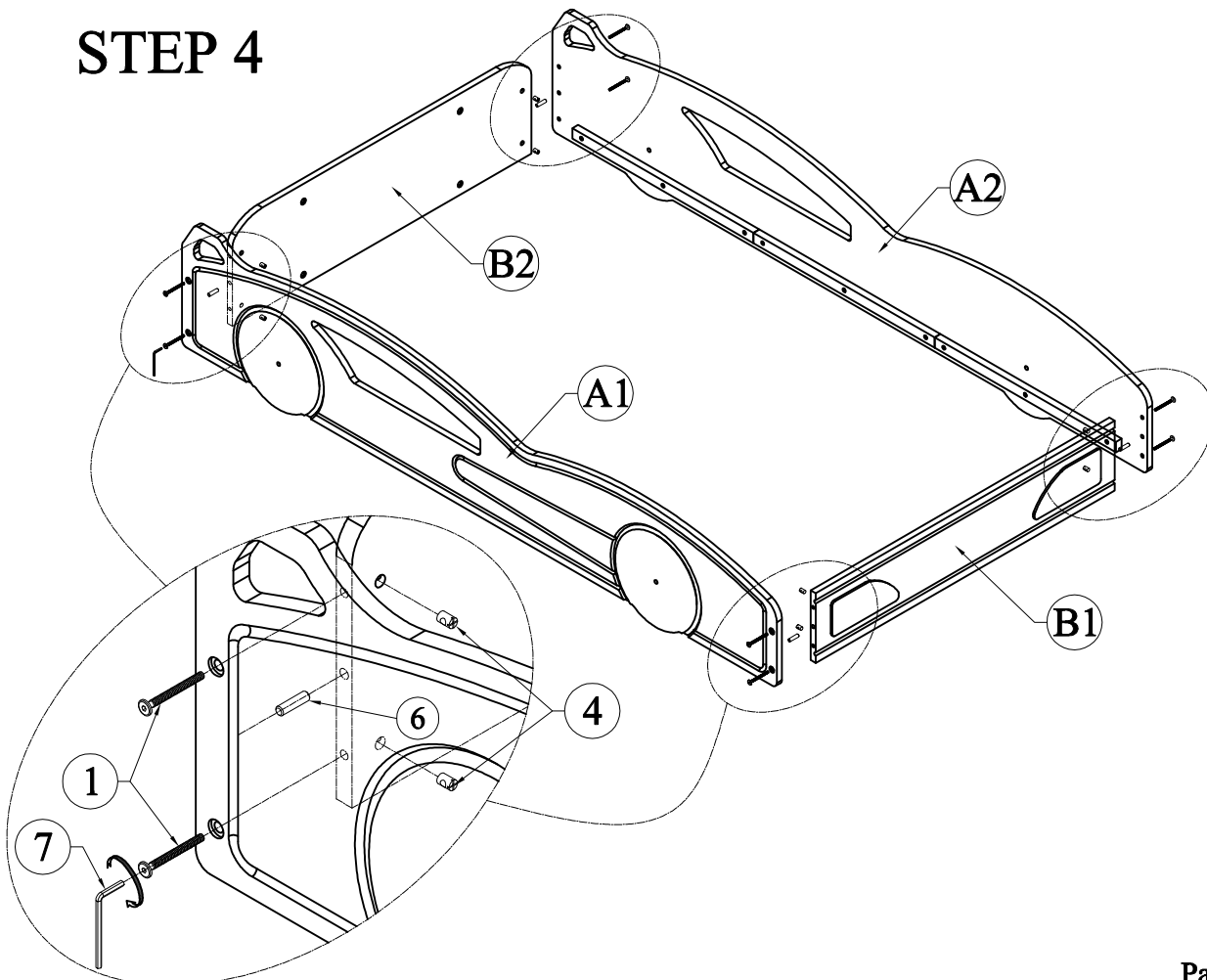
Hexagonal bolts catch wood
Ø1/4" * 50 - 3pcs

6



Wood dowel
Ø8 * 30 - 3pcs

STEP 4



1



Hex - Head bolts
Ø1/4" * 60 - 8pcs

4



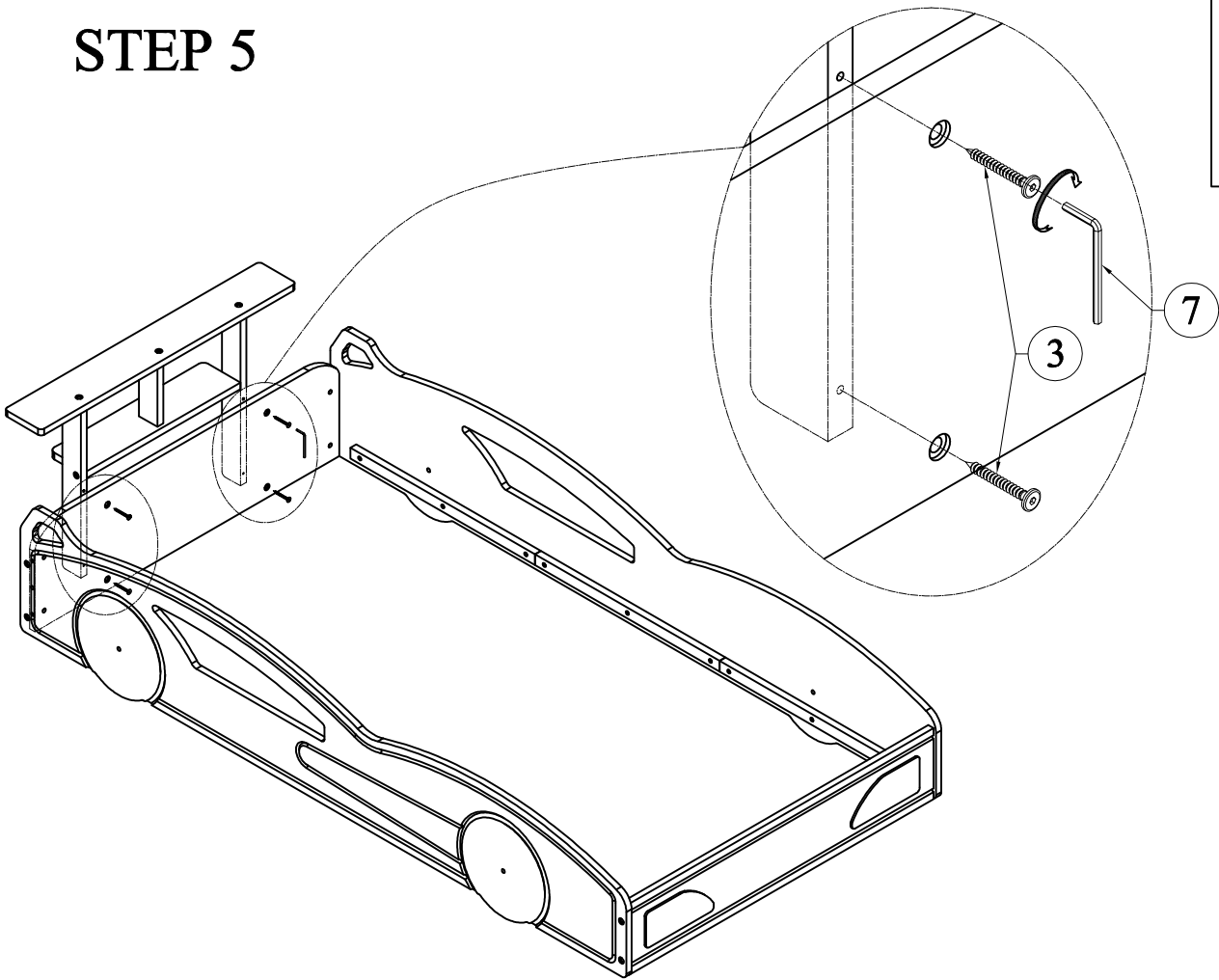
Horizontal - Hold bolts
Ø1/4" - 8pcs

6



Wood dowel
Ø8 * 30 - 4pcs

STEP 5



3

Hexagonal bolts catch wood
Ø1/4" * 50 - 4pcs

2



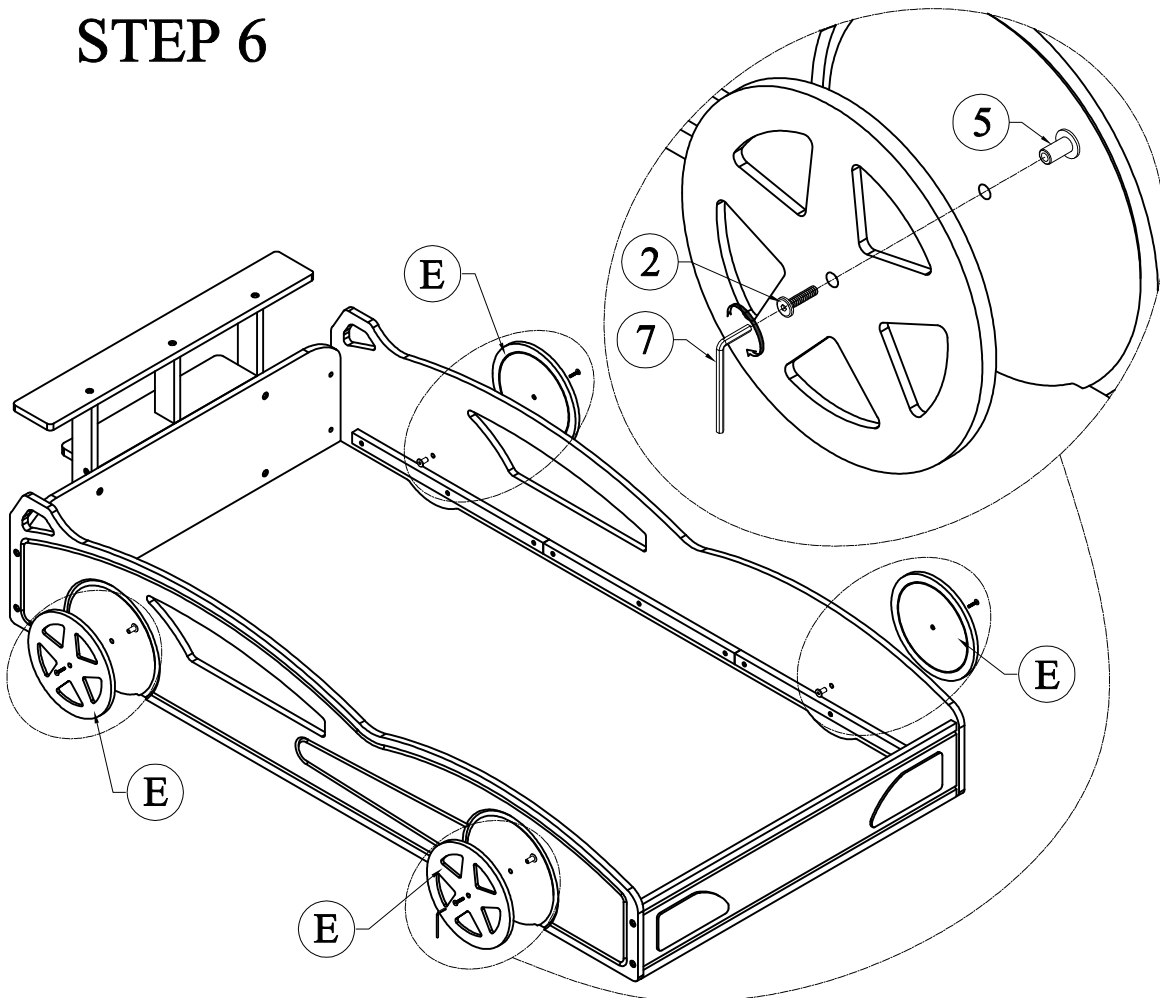
Hex - Head bolts
Ø1/4" * 25- 4pcs

5

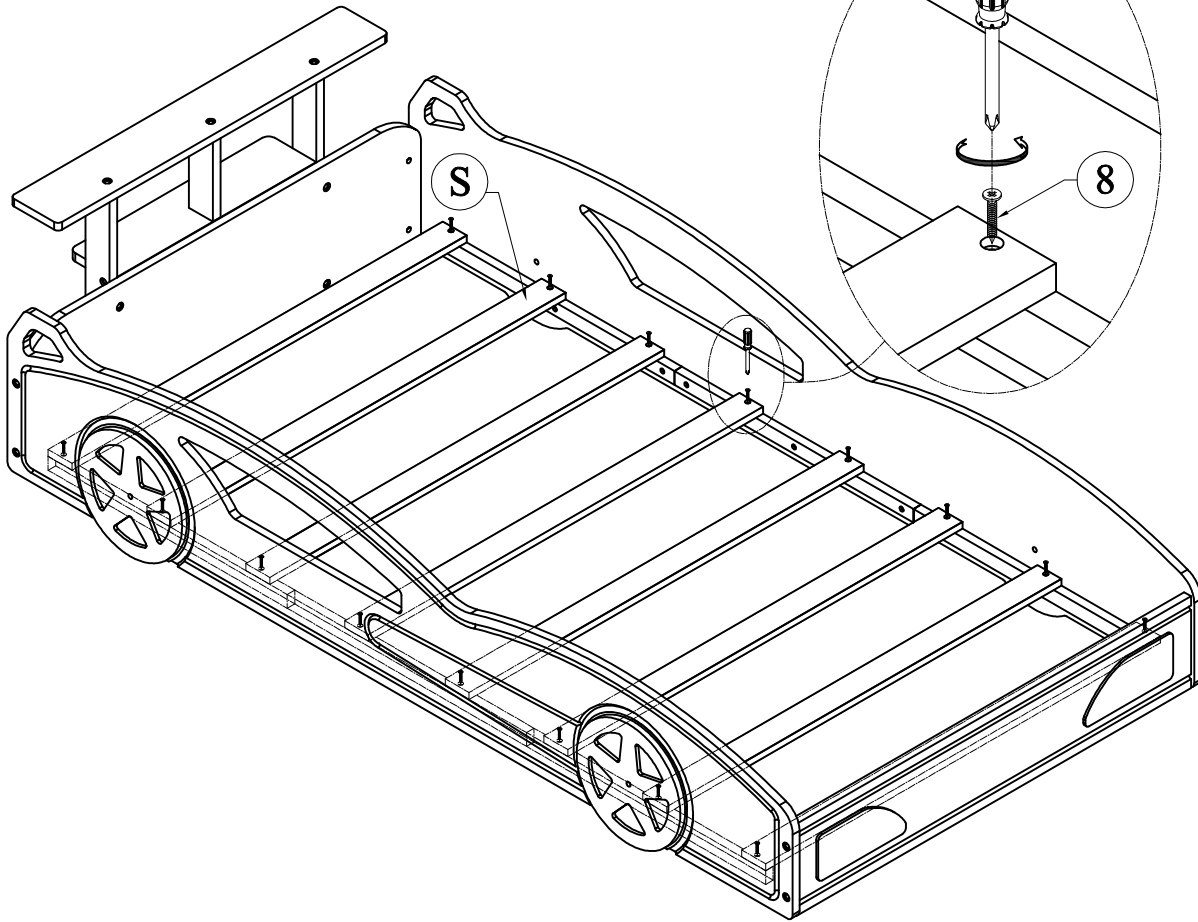


Canopy head through
Ø1/4" - 4pcs

STEP 6



STEP 7



8



Wood screws
M4 * 30 - 16pcs

COMPLETED

