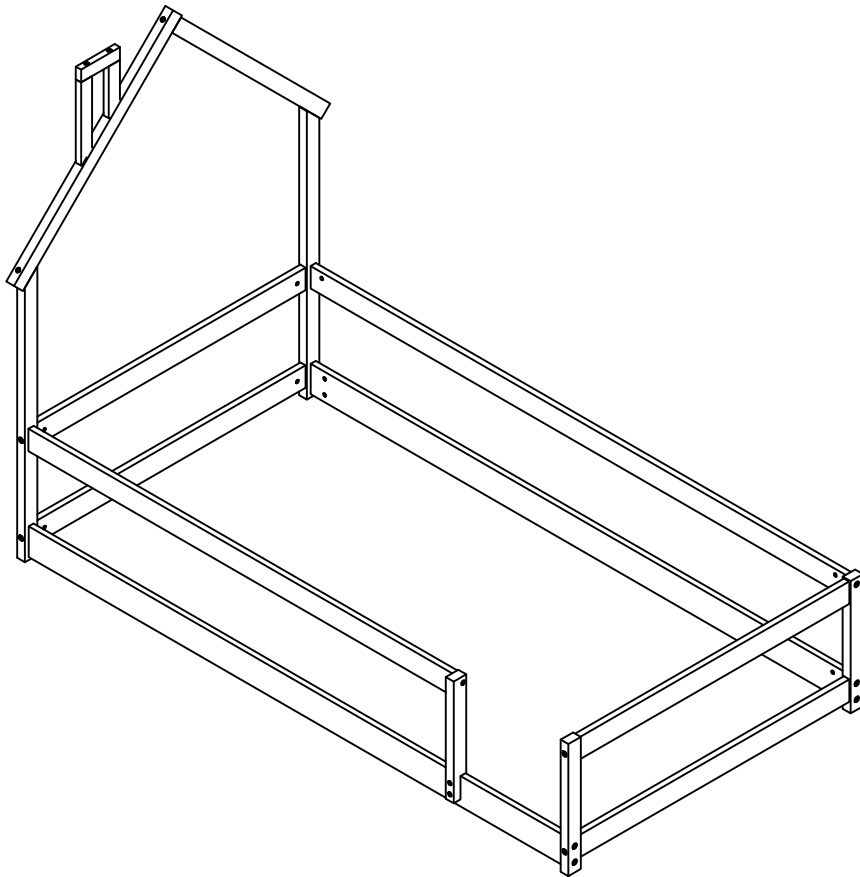


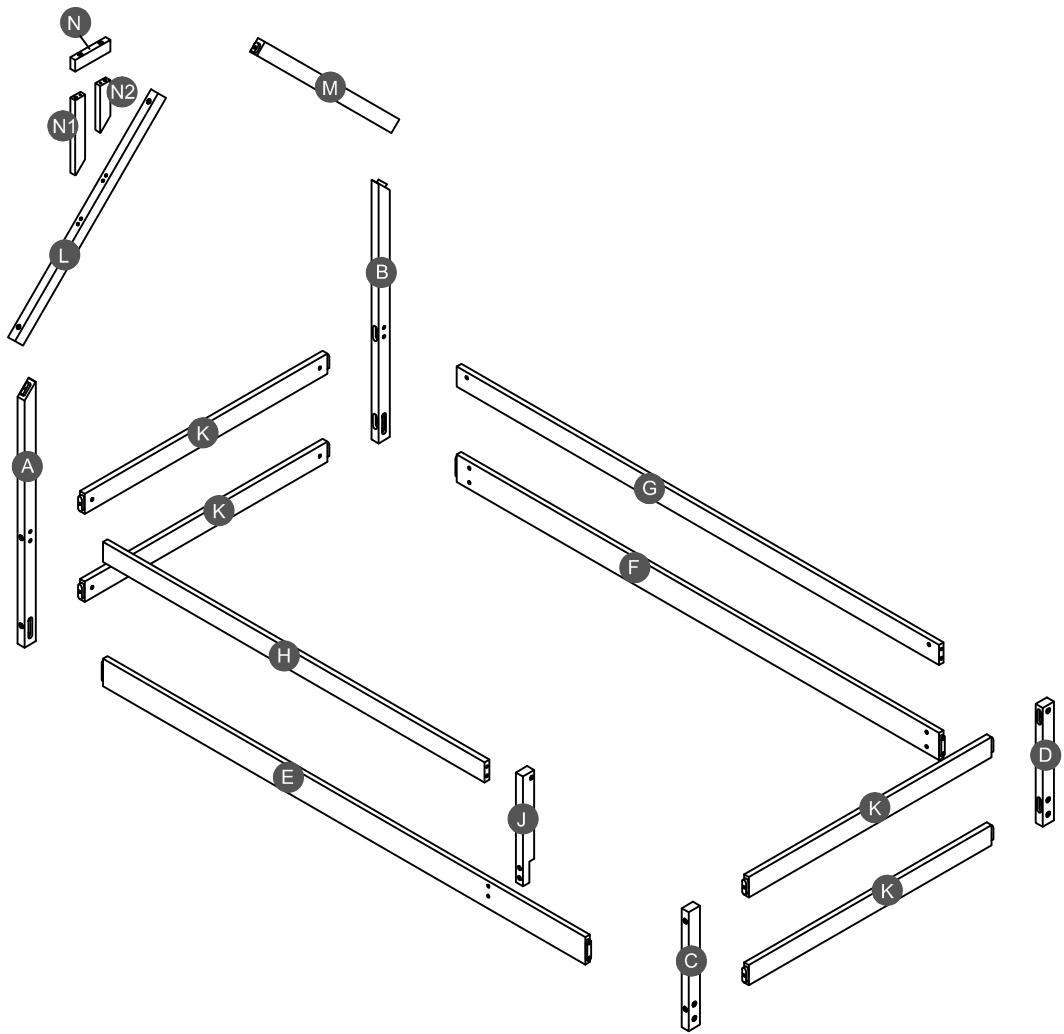
# ASSEMBLY INSTRUCTIONS

## TWIN HOUSE FLOOR BED

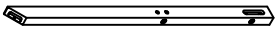
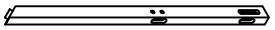
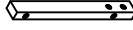
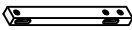
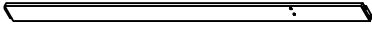
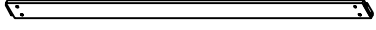
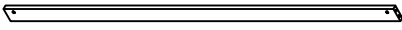
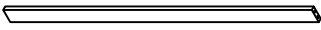
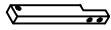
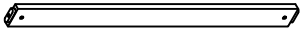
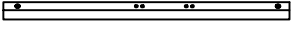
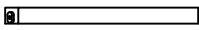
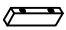
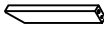



**ILA33775**



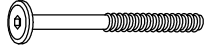




# Detail View



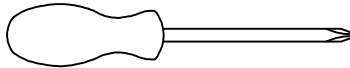
# Part List

<p><b>A</b></p>  <p>Leg HB (Left Front) - 1pc</p>	<p><b>B</b></p>  <p>Leg HB (Left Back) - 1pc</p>	<p><b>C</b></p>  <p>Leg FB (Right Front) - 1pc</p>
<p><b>D</b></p>  <p>Leg FB (Right Back) - 1pc</p>	<p><b>E</b></p>  <p>Side rail (Front) - 1pc</p>	<p><b>F</b></p>  <p>Side rail (Back) - 1pc</p>
<p><b>G</b></p>  <p>Long guard rail (Back) - 1pc</p>	<p><b>H</b></p>  <p>Short guard rail (Front) - 1pc</p>	<p><b>J</b></p>  <p>Support guard rail (Right) - 1pc</p>
<p><b>K</b></p>  <p>Horizontal bar HB/FB - 4pcs</p>	<p><b>L</b></p>  <p>Upper HB (Left Front) - 1pc</p>	<p><b>M</b></p>  <p>Upper HB (Back) - 1pc</p>
<p><b>N</b></p>  <p>Upper Horizontal bar - 1pc</p>	<p><b>N1</b></p>  <p>Upper vertical bar HB (Front) - 1pc</p>	<p><b>N2</b></p>  <p>Upper vertical bar HB (Back) - 1pc</p>

# Hardware List

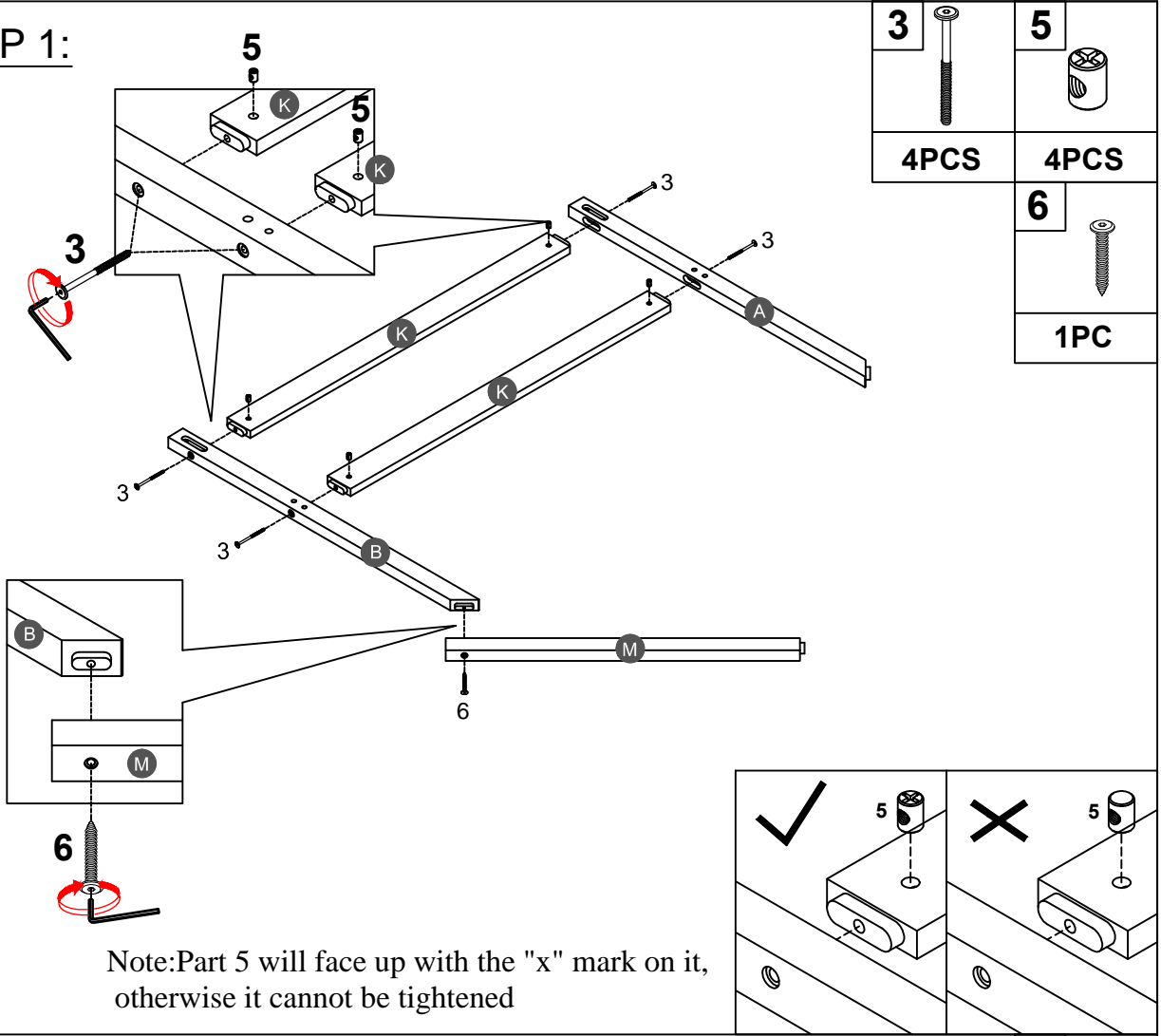
<b>1</b>  Ø8*30mm Wood dowel (4pcs)	<b>2</b>  Ø10*40mm Wood dowel (4pcs)	<b>3</b>  (Ø15)1/4"*80mm Hex-Head bolts (20pcs)
<b>4</b>  (Ø12)1/4"*35mm Hex-Head bolts (2pcs)	<b>5</b>  1/4"*15 (9.5mm) Horizontal-Hole bolts (20pcs)	<b>6</b>  (Ø12)1/4"*65mm Wood screw bolts (7pcs)
<b>7</b>  (1/4")4.5*58mm Allen key (1pc)		

## ASSEMBLY TOOLS REQUIRED ( NOT INCLUDED )

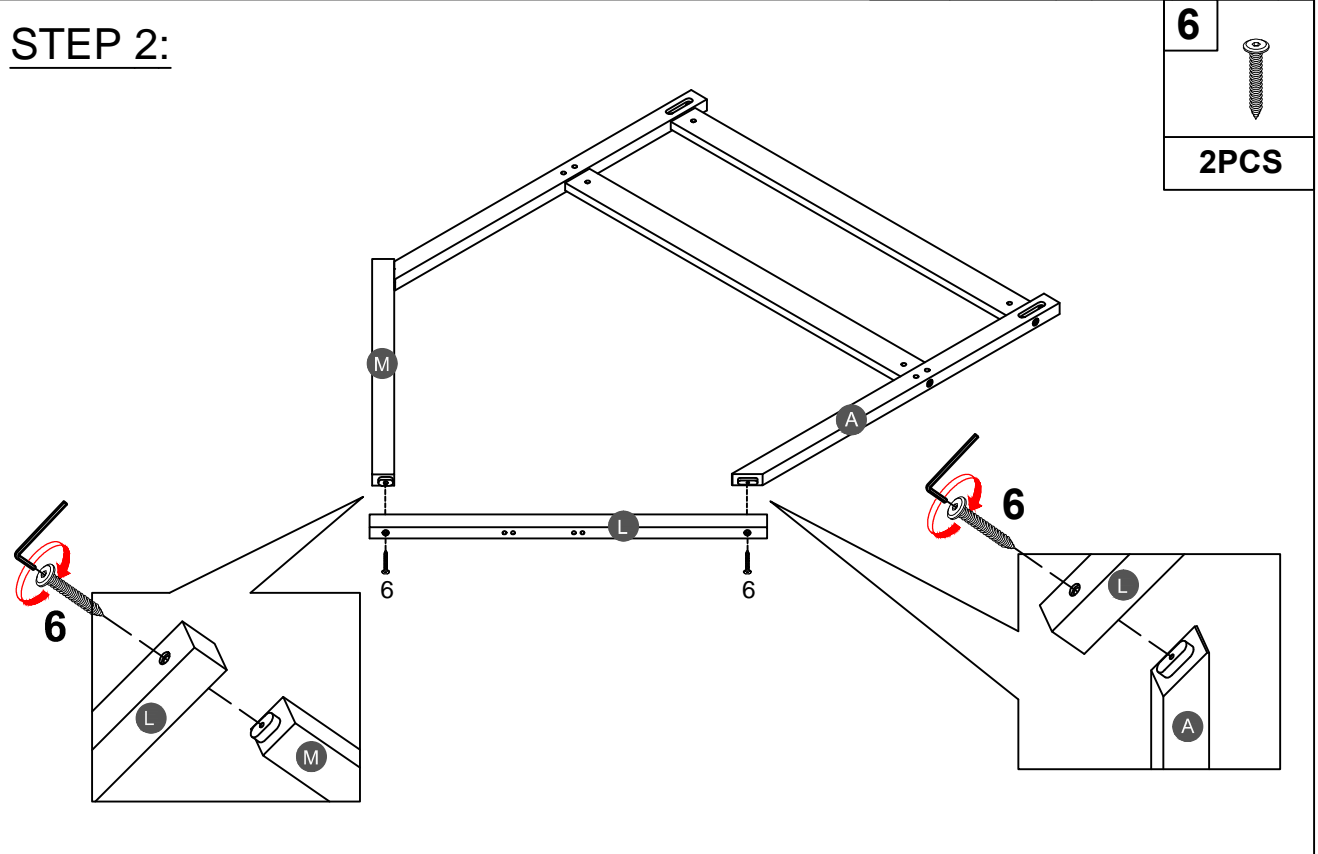


PLEASE BE CAREFUL DO NOT DAMAGE THE HOLE POSITION WHEN YOU USE POWER TOOLS !

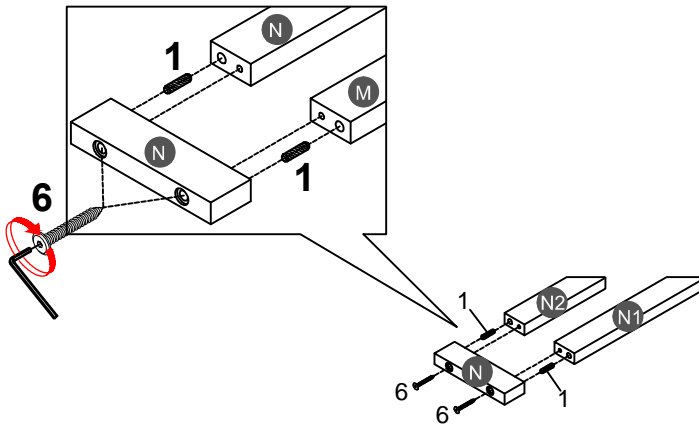
**STEP 1:**


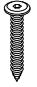


**STEP 2:**

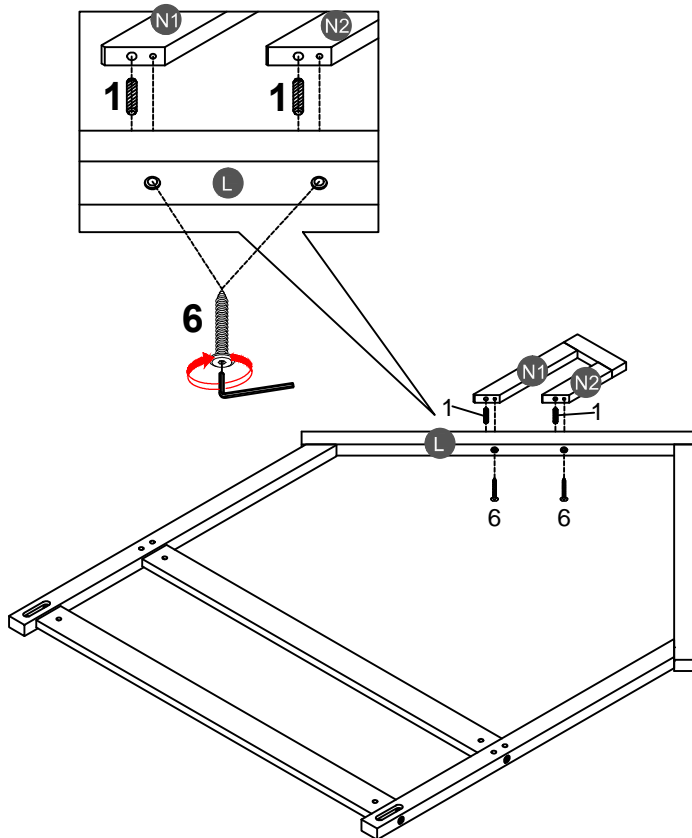



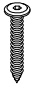
**STEP 3:**



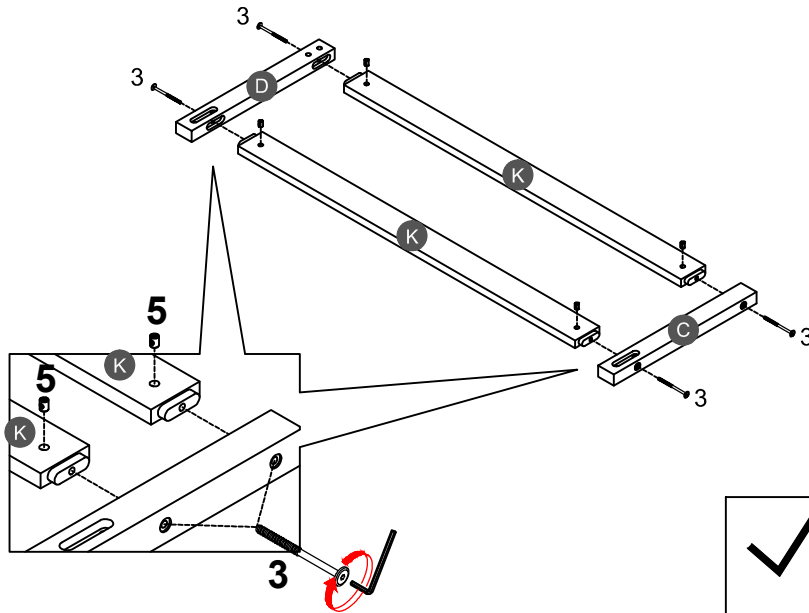
<b>1</b>		<b>6</b>	
<b>2PCS</b>		<b>2PCS</b>	

**STEP 4:**



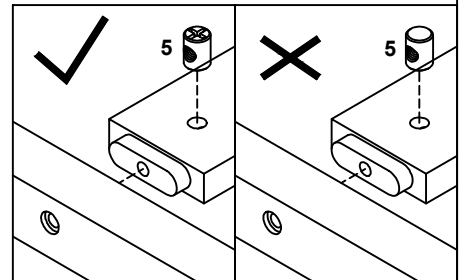
<b>1</b>		<b>6</b>	
<b>2PCS</b>		<b>2PCS</b>	

# STEP 5:

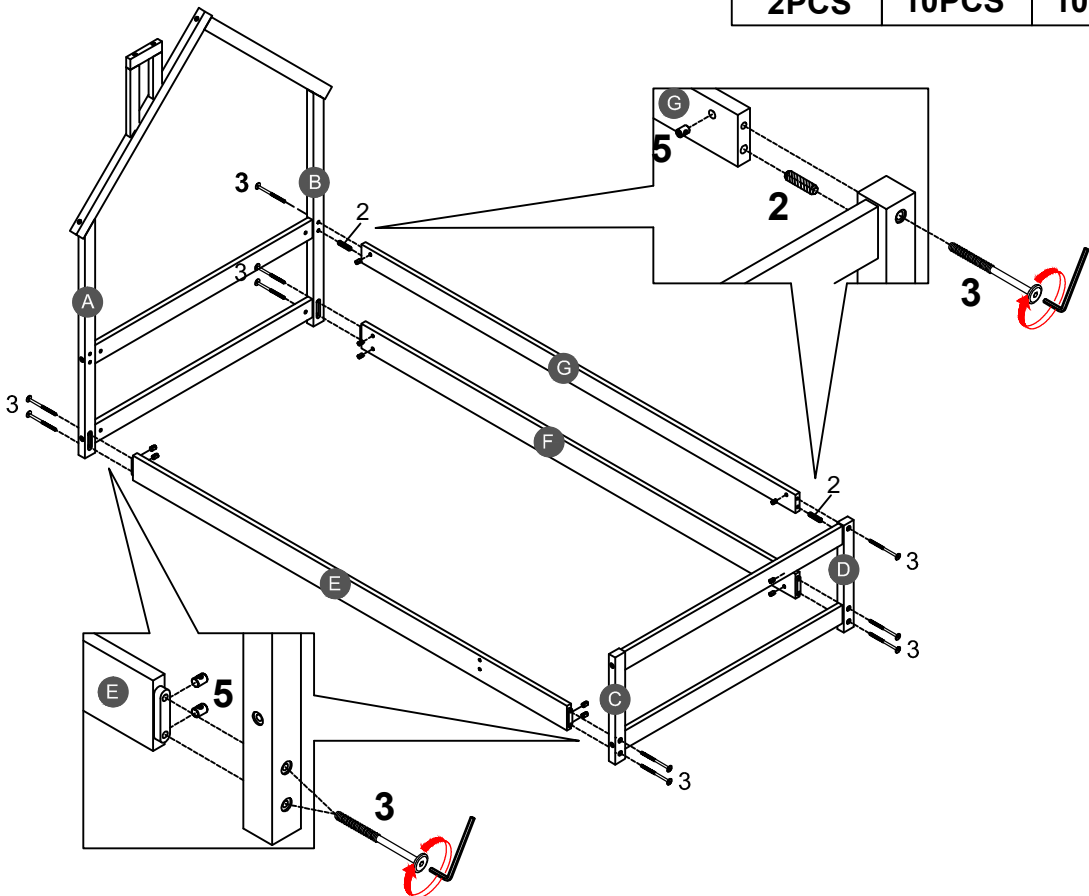


<b>3</b>		<b>5</b>	
<b>4PCS</b>		<b>4PCS</b>	

Note: Part 5 will face up with the "x" mark on it, otherwise it cannot be tightened







# STEP 6:



<b>2</b>		<b>3</b>		<b>5</b>	
<b>2PCS</b>		<b>10PCS</b>		<b>10PCS</b>	

**STEP 7:**

<b>2</b>		<b>3</b>		<b>4</b>		<b>5</b>	
<b>2PCS</b>		<b>2PCS</b>		<b>2PCS</b>		<b>2PCS</b>	

