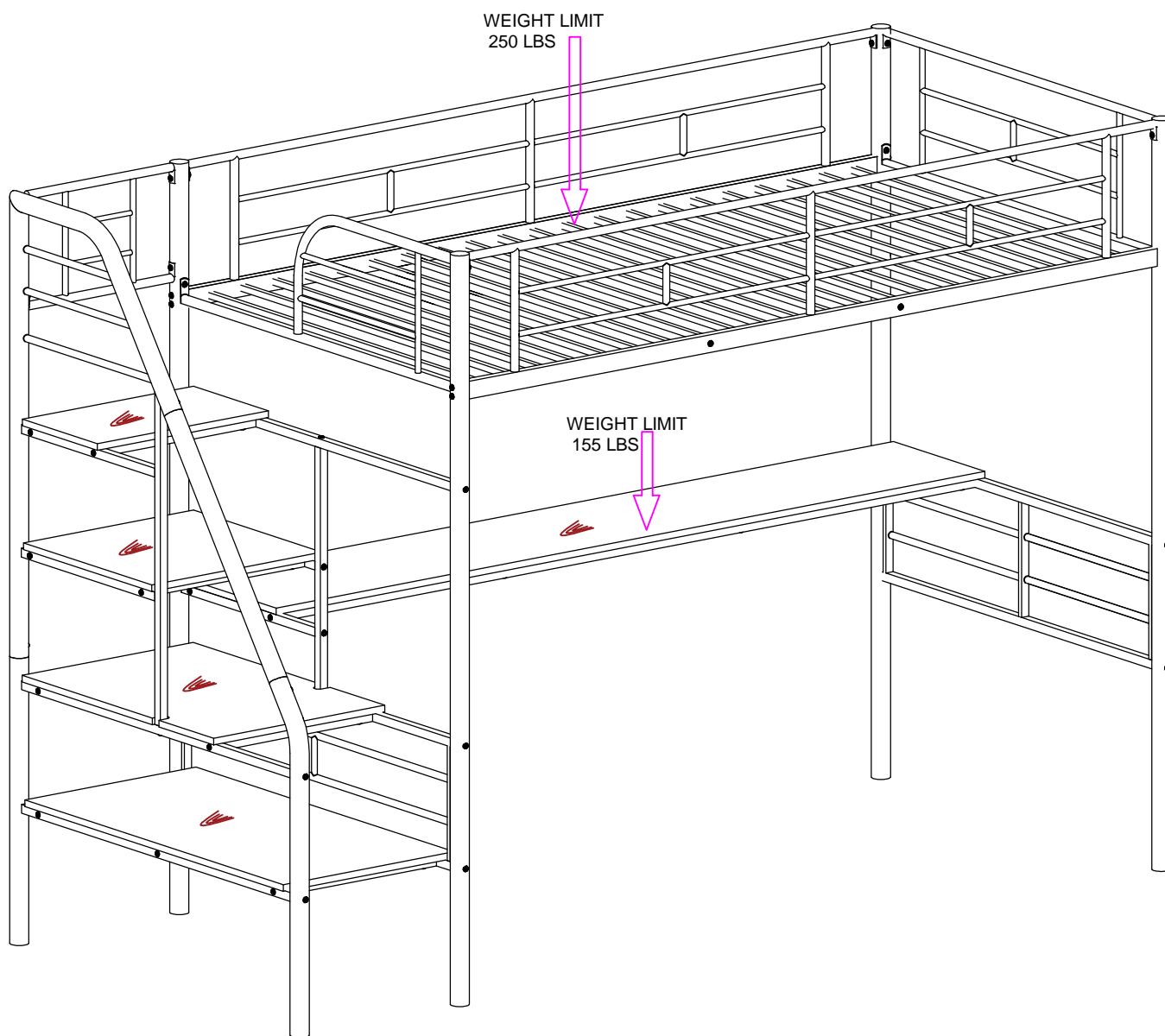


LOFT BED
ASSEMBLY INSTRUCTIONS
MF285811&MF285812



SAFETY WARNINGS AND GENERAL NOTES :

1. Follow the information on the warnings on the bunk bed end structure and on the carton. Do not remove the warning label from the bed.
2. Always use the recommended size mattress on mattress support, or both, to help prevent the likelihood of entrapment or falls.
3. Do not allow children under 6 years of age to use the upper bunk.
4. Periodically check and ensure the guardrail, ladder and other components are in their proper position, free from damage, and all connectors are tight.
5. Do not allow horseplay on or under beds.
6. Always prohibit jumping on the bed.
7. Prohibit more than one person on upper bunk.
8. Always use the ladder for entering and leaving the upper bunk.
9. Do not use substitute parts. Contact the manufacturer or dealer for replacement parts.
10. Use of a night-tight may provide added safety precaution for a child using the upper bunk.
11. Always use guardrails on both long sides of the upper bunk.
12. If the bunk bed will be placed next to a wall, the guardrail that runs the full length of the bed should be placed against the wall to prevent entrapment between the bed and the wall.
13. STRANGULATION HAZARD- Never attach or hang items to any part of the bunk bed that are not designed for use with the bed.
14. Keep these instructions for future reference.
15. We recommend assembling your bunk bed on the shipping carton to protect your floor or carpet.
16. Be certain all staples are out of the box before beginning assembly on the shipping carton.
17. USE ONLY MATTRESSES WHICH ARE AS THE TABLE BELOW ON UPPER AND ON LOWER BUNKS.

Up bed (bunk bed and tribed included)

| Bed type | Length | Width | Thickness |
|---------------|-----------|-------|-----------|
| Twin Standard | 74" – 75" | 38 ½" | 6" max |

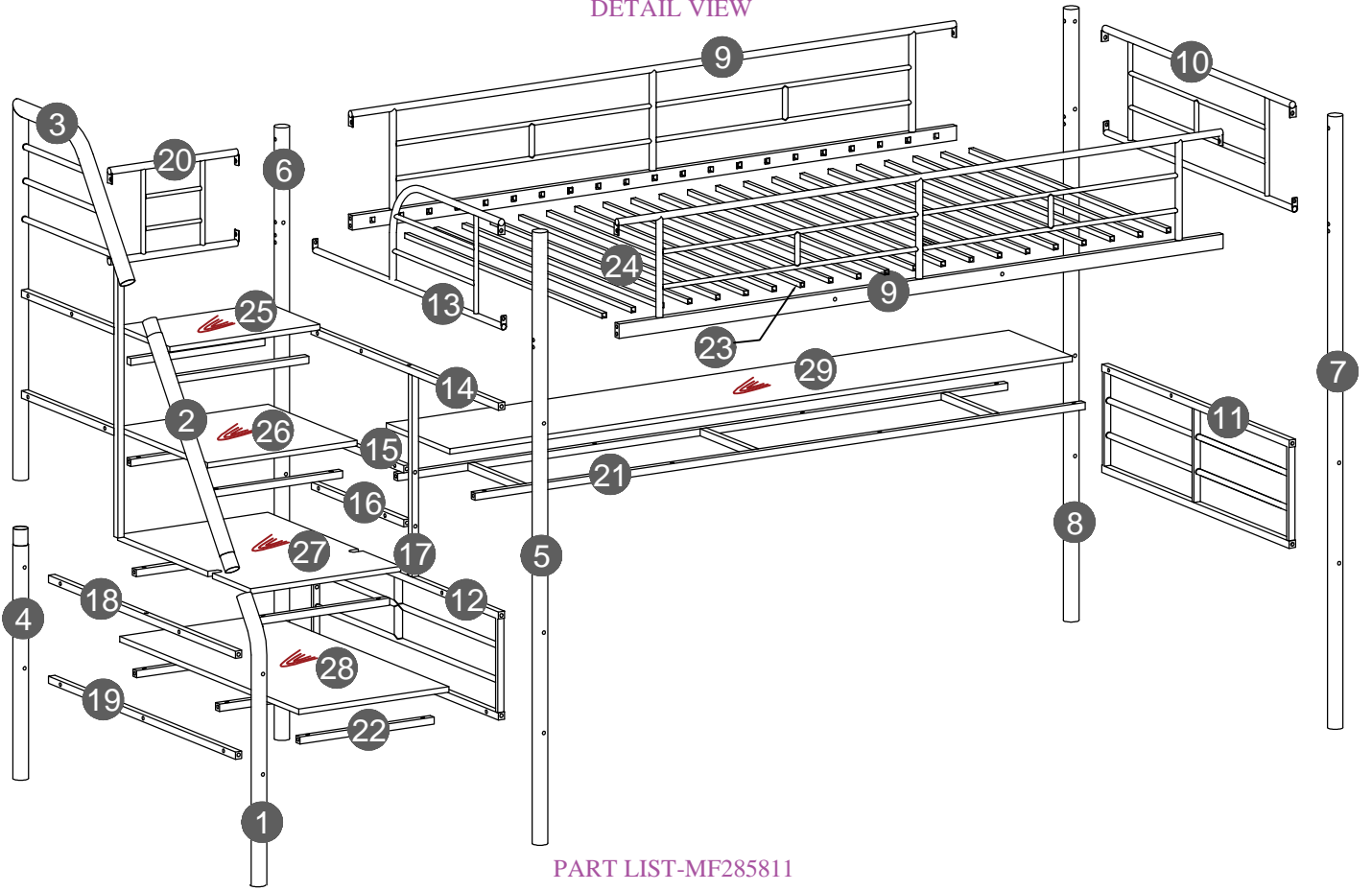
18. SURFACE OF MATTRESS MUST BE AT LEAST 5" (127MM) BELOW THE UPPER EDGE OF GUARDRAILS.

19. Replacement Parts:

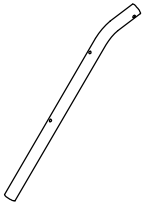
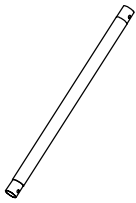

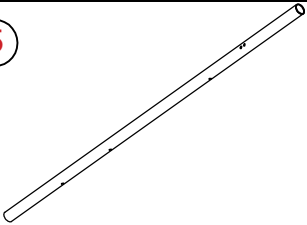
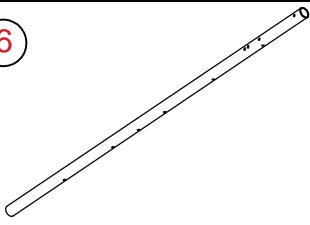
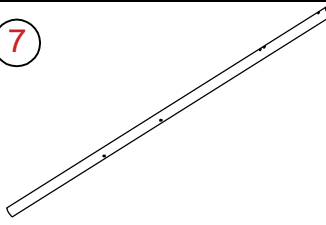
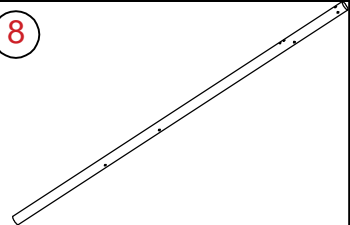
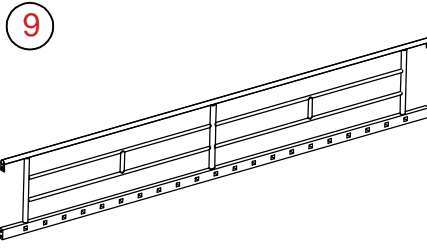
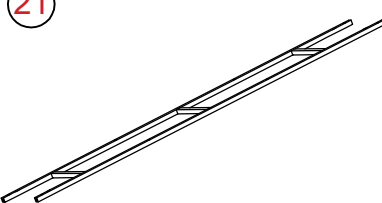
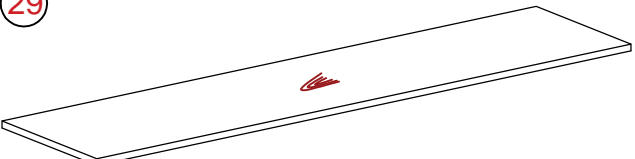
Replacement Parts, including additional guardrails, may be obtained from any of our (GIGACLOUD TECHNOLOGY(USA) INC.) dealers

LOFT BED
 ASSEMBLY INSTRUCTIONS
 MF285811&MF285812

DETAIL VIEW

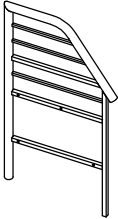
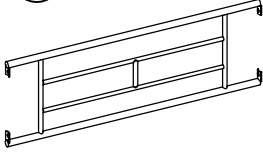
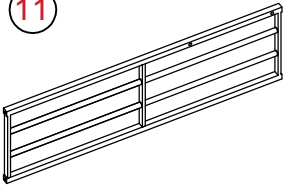
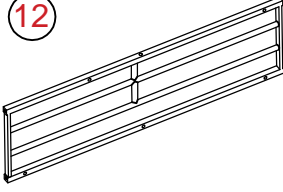
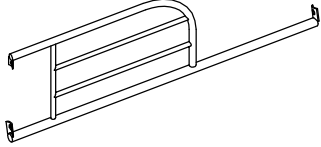
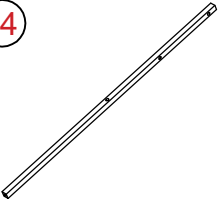
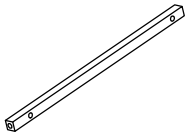
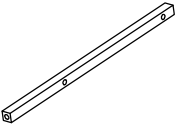

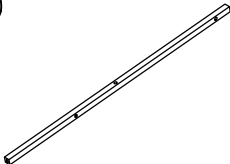
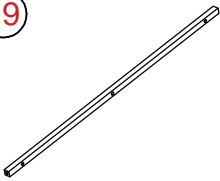
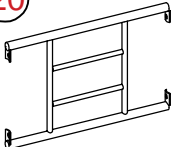
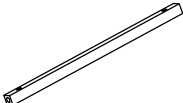
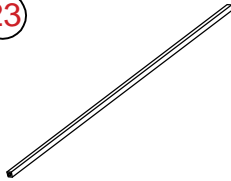
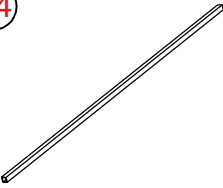



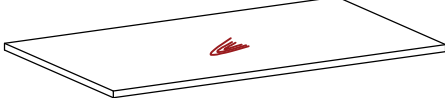


PART LIST-MF285811

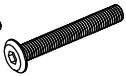
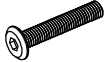
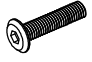

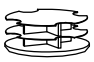
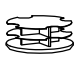
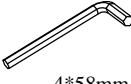

| | | | | | | | |
|---|---|---|---|--------------------------|--|--------------------|--|
|  |  |  | | | | | |
| vertical bar - 1pc | | vertical bar - 1pc | | vertical bar - 1pc | | | |
|  |  |  |  | | | | |
| vertical bar - 1pc | | vertical bar - 1pc | | vertical bar - 1pc | | vertical bar - 1pc | |
|  |  |  | | | | | |
| guard bar - 2pcs | | frame table - 1pc | | wooden table panel - 1pc | | | |

LOFT BED
ASSEMBLY INSTRUCTIONS
MF285811&MF285812

PART LIST-MF285812

| | | | | |
|---|--|--|--|---|
| 3  | 10  | 11  | 12  | 13  |
| hand rail - 1pc | headboard - 1pc | headboard - 1pc | footboard - 1pc | footboard - 1pc |
| 14  | 15  | 16  | 17  | 18  |
| horizontal bar - 1pc | horizontal bar - 1pc | horizontal bar - 1pc | vertical bar - 1pc | horizontal bar - 1pc |
| 19  | 20  | 22  | 23  | 24  |
| horizontal bar - 1pc | guard handrail - 1pc | horizontal bar - 9pcs | slat - 2pcs | slat - 19pcs |
| 25  | 26  | 27  | 28  | |
| wooden shelf panel-1pc | wooden shelf panel-1pc | wooden shelf panel-1pc | wooden shelf panel-1pc | |

HARDWARE LIST - MF285811

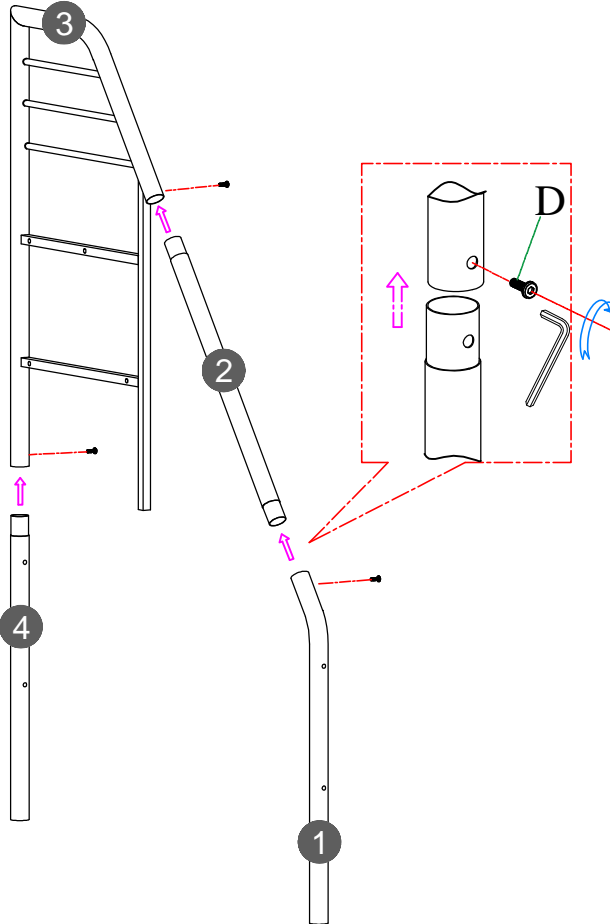
| | | | |
|---|---|---|---|
| A  1/4"*60mm Bolts - 24pcs | B  1/4"*35mm Bolts - 27pcs | C  1/4"*28mm Bolts - 26pcs | D  1/4"*15mm Bolts - 22pcs |
| E  Ø42x10mm Pipe plug - 8pcs | F  Ø33x10mm Pipe plug - 2pcs | H  4*58mm Allen key - 1pc | I  Connect Wall 2 set |


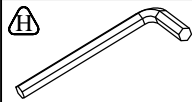
This set is included 2 boxes if don't receive full 2 boxes please contact our customer service team .

LOFT BED
ASSEMBLY INSTRUCTIONS
MF285811&MF285812

STEP 1: Following below illustration Assembly FRAME #1.

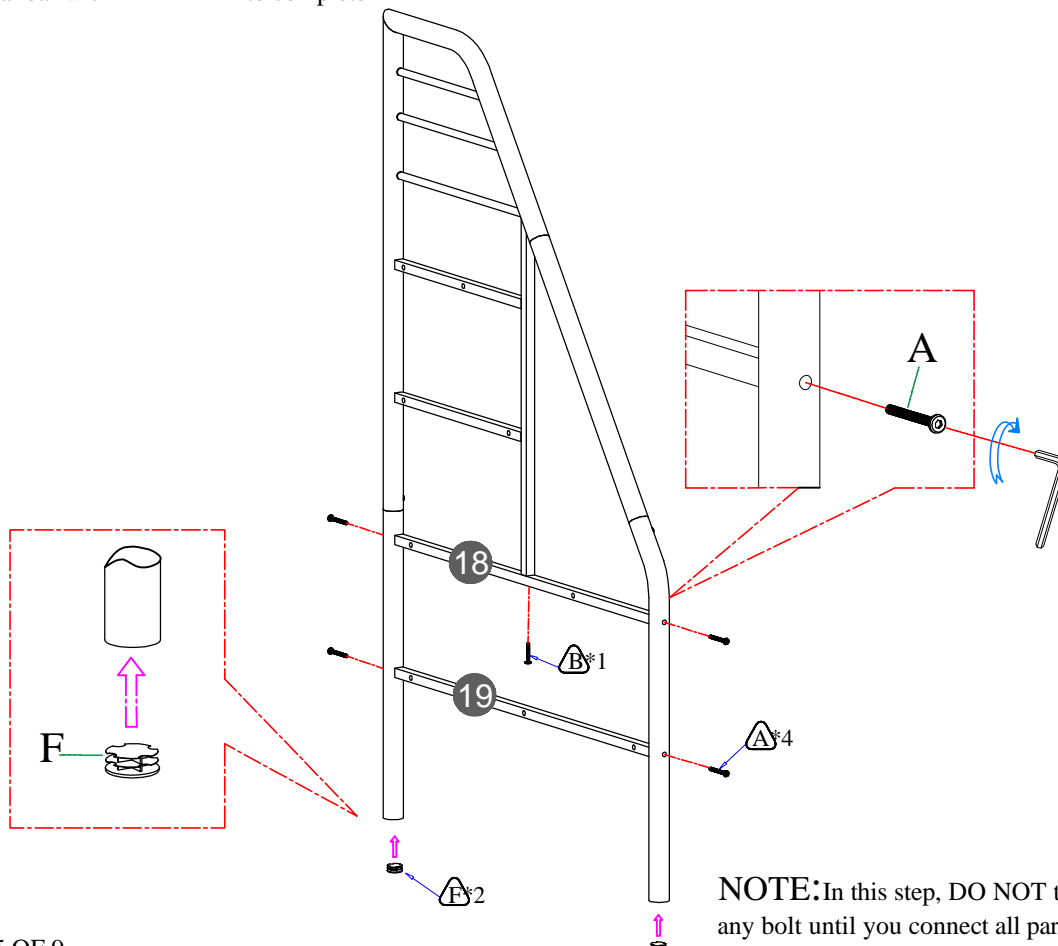
Using hardware #D connect #1, #2, #4 vertical bar with #3 hard rail to complete FRAME #1


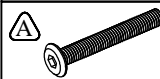
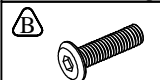
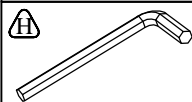


| |
|--|
|  |
| 1/4"*15mm -3pcs |
|  |

NOTE: In this step, DO NOT tighten any bolt until you connect all part together

STEP 2: Following below illustration Assembly FRAME #2. Using hardware #A, #B connect #18, #19 horizontal bar with FRAME #1 to complete FRAME #2

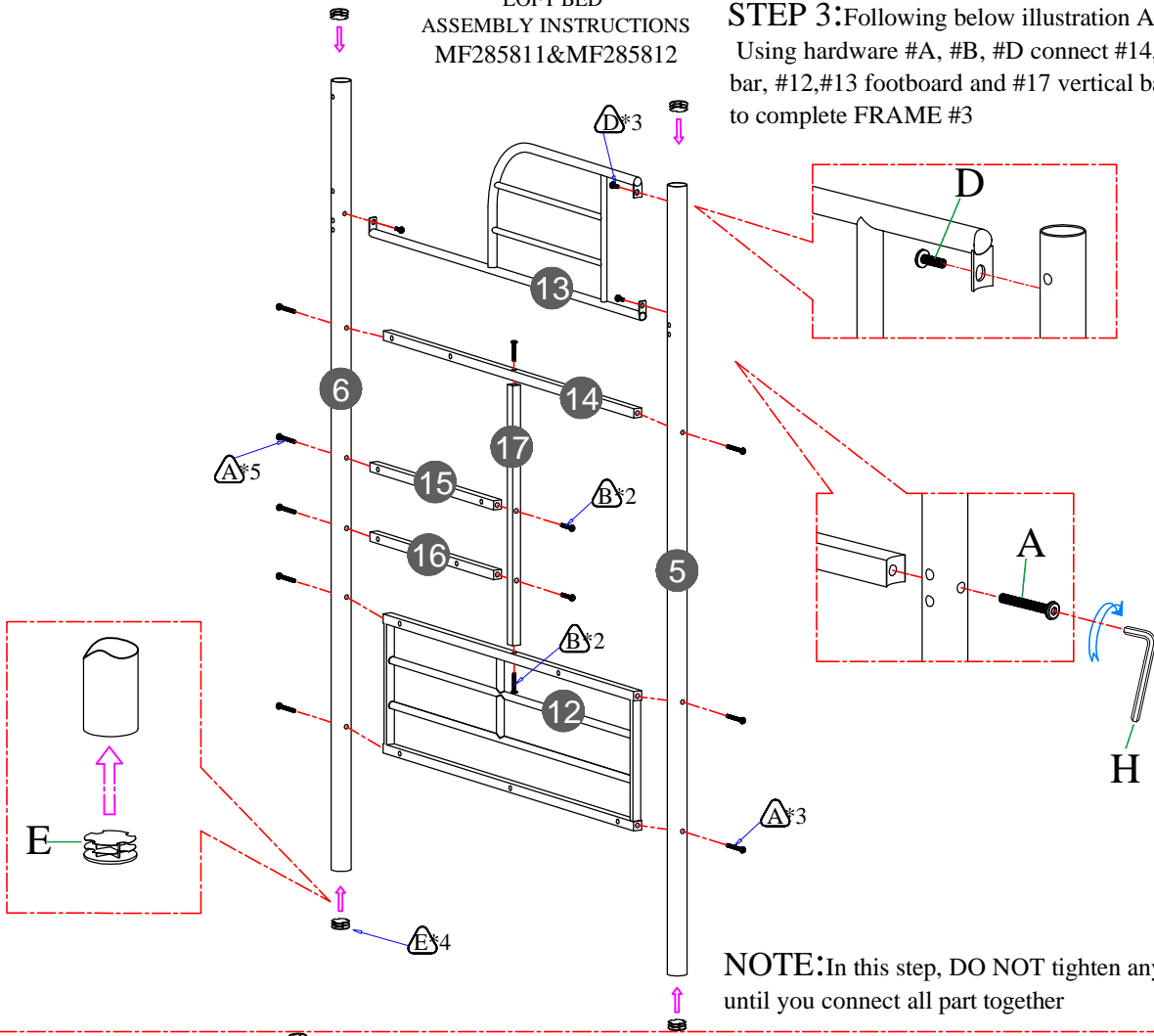


| |
|---|
|  |
| Ø33x10mm - 2pcs |
|  |
| 1/4"*60mm - 4pcs |
|  |
| 1/4"*35mm-1pc |
|  |

NOTE: In this step, DO NOT tighten any bolt until you connect all part together

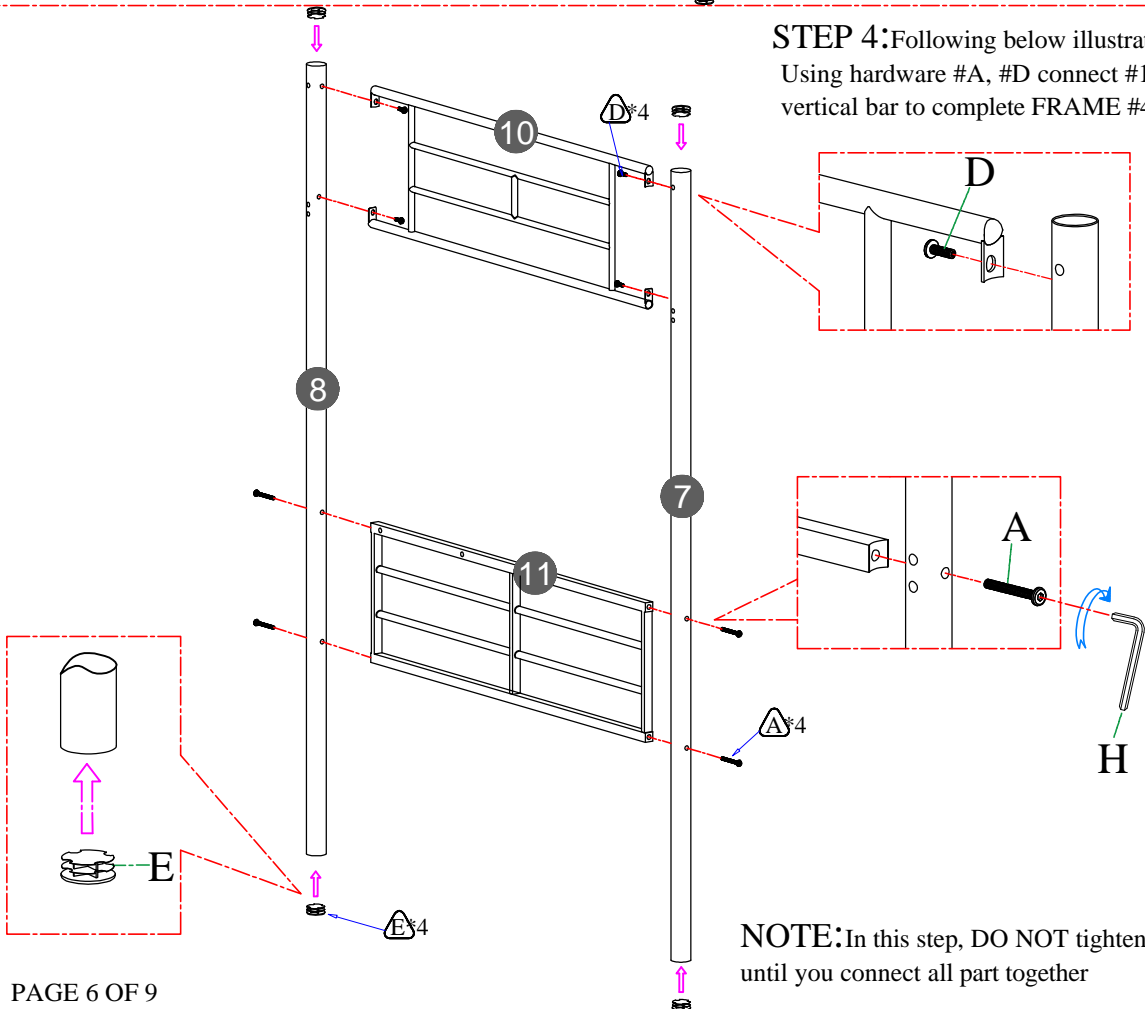
LOFT BED
ASSEMBLY INSTRUCTIONS
MF285811&MF285812

STEP 3: Following below illustration Assembly FRAME #3.
Using hardware #A, #B, #D connect #14, #15, #16 horizontal bar, #12, #13 footboard and #17 vertical bar with #5, #6 vertical bar to complete FRAME #3



| | |
|---|------------------|
| E | |
| | Ø42x10mm - 4pcs |
| A | |
| | 1/4"*60mm - 8pcs |
| B | |
| | 1/4"*35mm - 4pcs |
| D | |
| | 1/4"*15mm - 3pcs |
| H | |

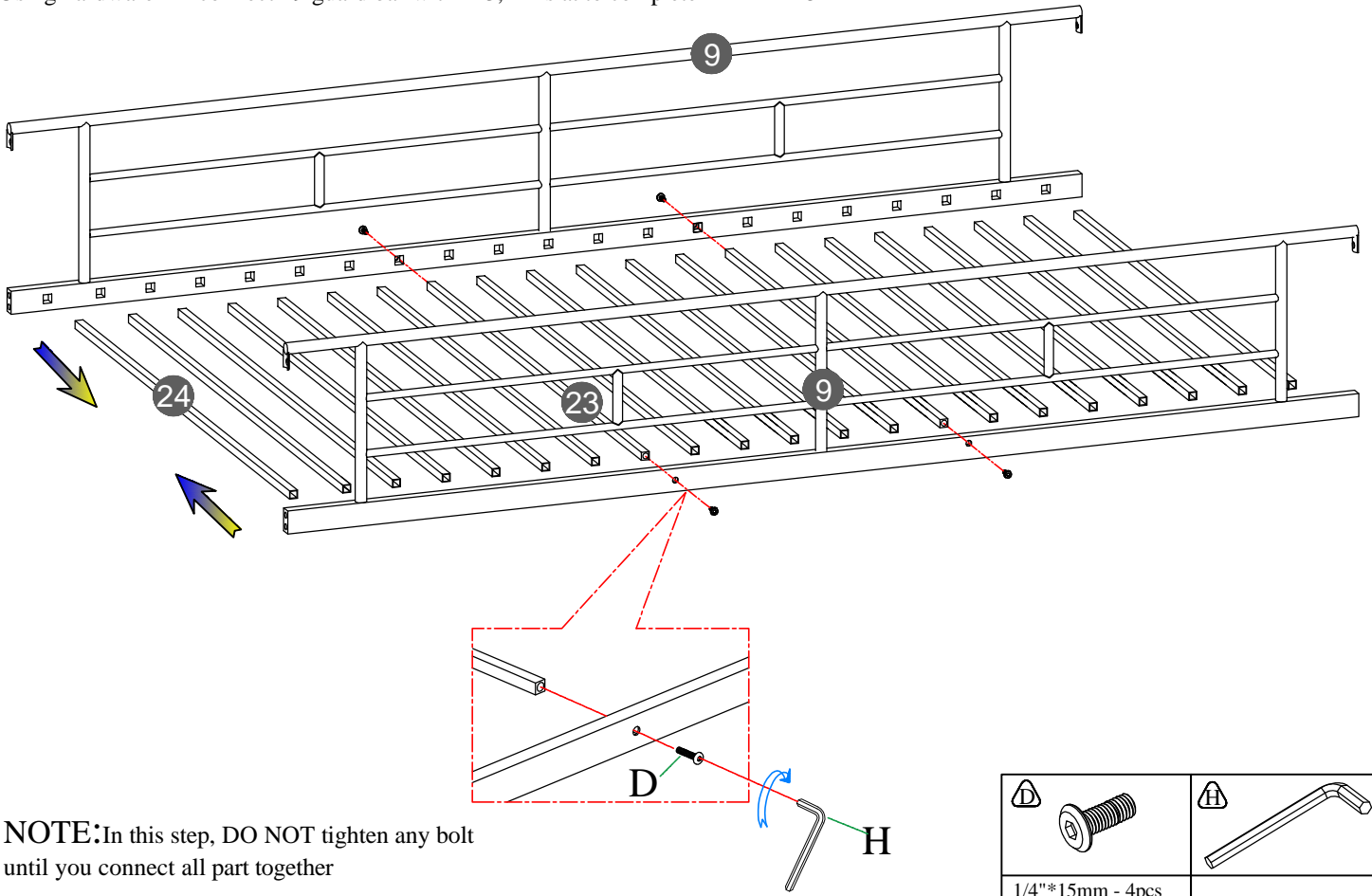
STEP 4: Following below illustration Assembly FRAME #4.
Using hardware #A, #D connect #10, #11 headboard with #7, #8 vertical bar to complete FRAME #4



| | |
|---|------------------|
| E | |
| | Ø42x10mm - 4pcs |
| A | |
| | 1/4"*60mm - 4pcs |
| D | |
| | 1/4"*15mm - 4pcs |
| H | |

STEP 5: Following below illustration Assembly FRAME #5.

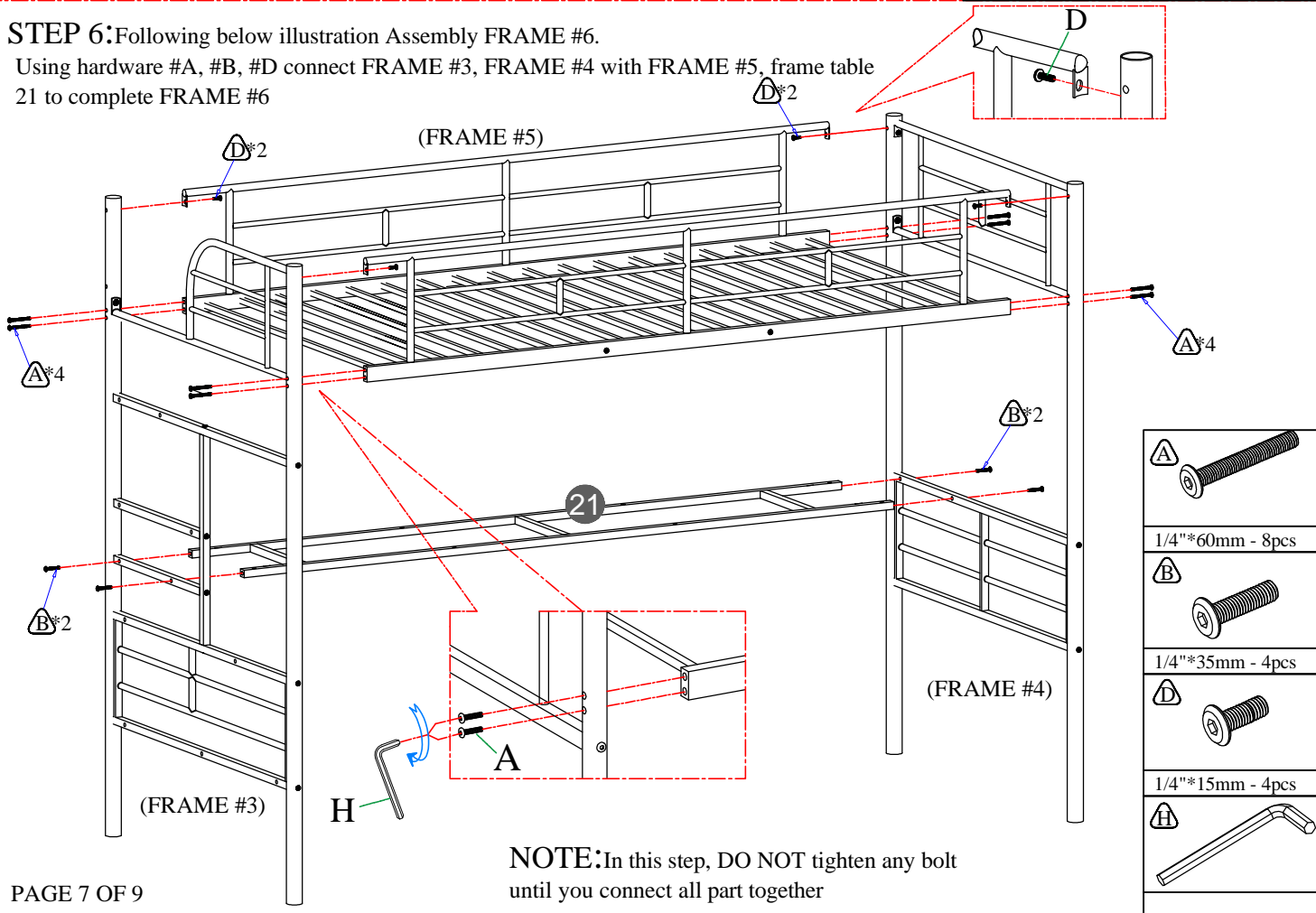
Using hardware #D connect #9 guard bar with #23, #24 slat to complete FRAME #5



NOTE: In this step, DO NOT tighten any bolt until you connect all part together

STEP 6: Following below illustration Assembly FRAME #6.

Using hardware #A, #B, #D connect FRAME #3, FRAME #4 with FRAME #5, frame table 21 to complete FRAME #6

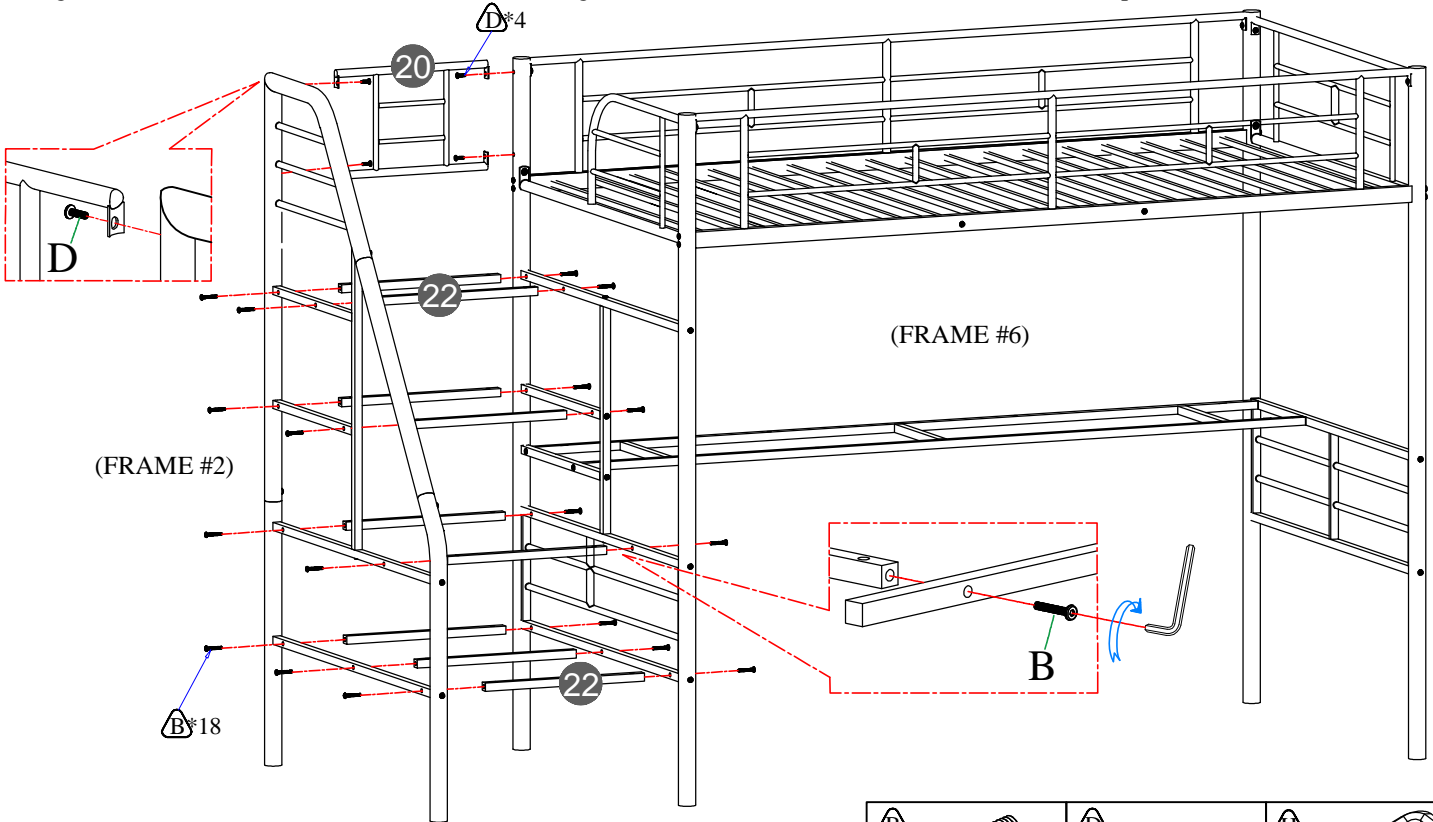


NOTE: In this step, DO NOT tighten any bolt until you connect all part together

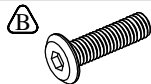
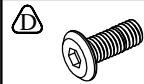
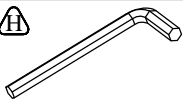
LOFT BED
 ASSEMBLY INSTRUCTIONS
 MF285811&MF285812

STEP 7: Following below illustration Assembly FRAME #7.

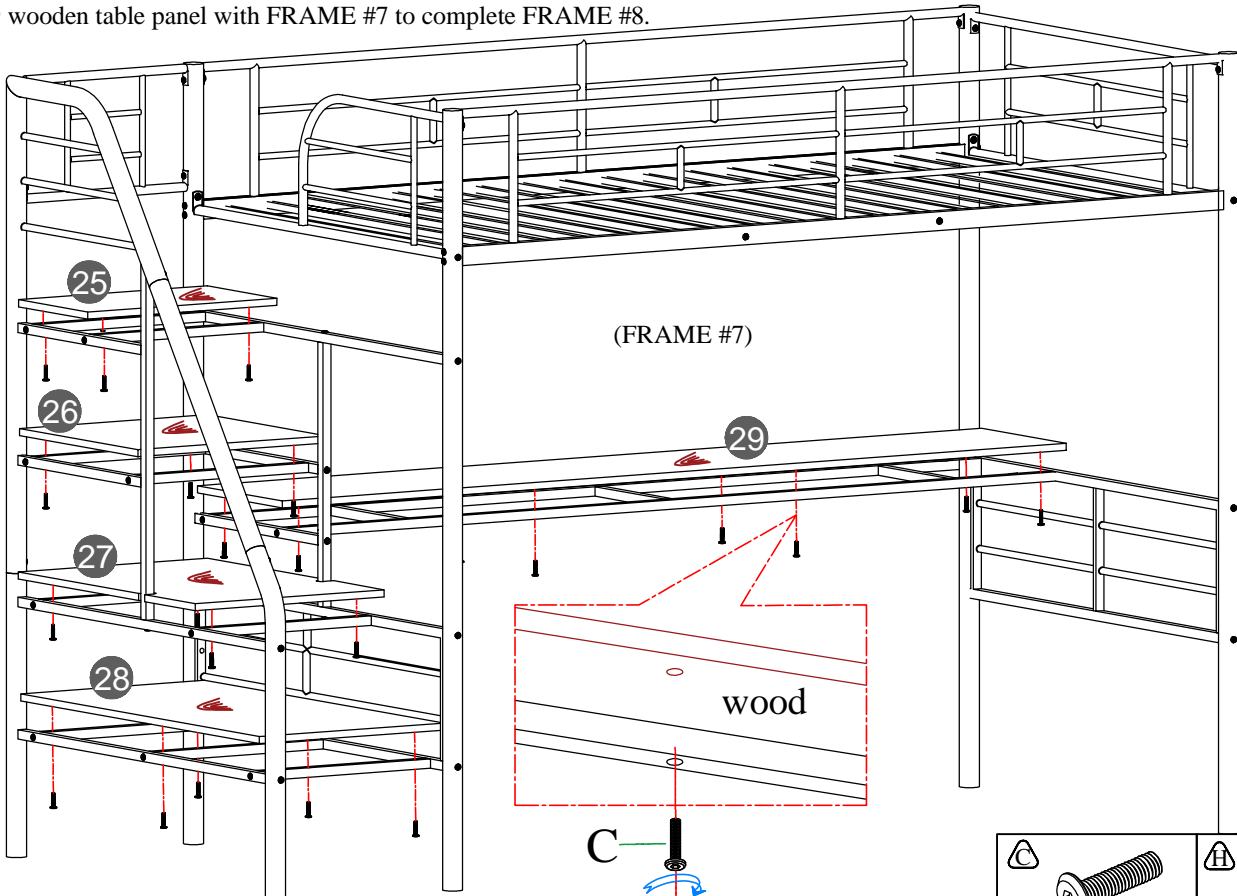
Using hardware #B,#D connect #22 horizontal bar,#20 guard handrail with FRAME #2, FRAME #6 to complete FRAME #7.



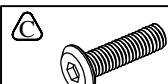
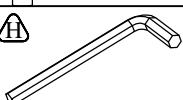
NOTE: In this step, DO NOT tighten any bolt until you connect all part together

| | | |
|--|---|---|
|  |  |  |
| 1/4"*35mm - 18pcs | 1/4"*15mm - 4pcs | |

STEP 8: Following below illustration Assembly FRAME #8. Using hardware #C connect #25,#26,#27,#28 wooden shelf panel and #29 wooden table panel with FRAME #7 to complete FRAME #8.



NOTE: In this step, DO NOT tighten any bolt until you connect all part together

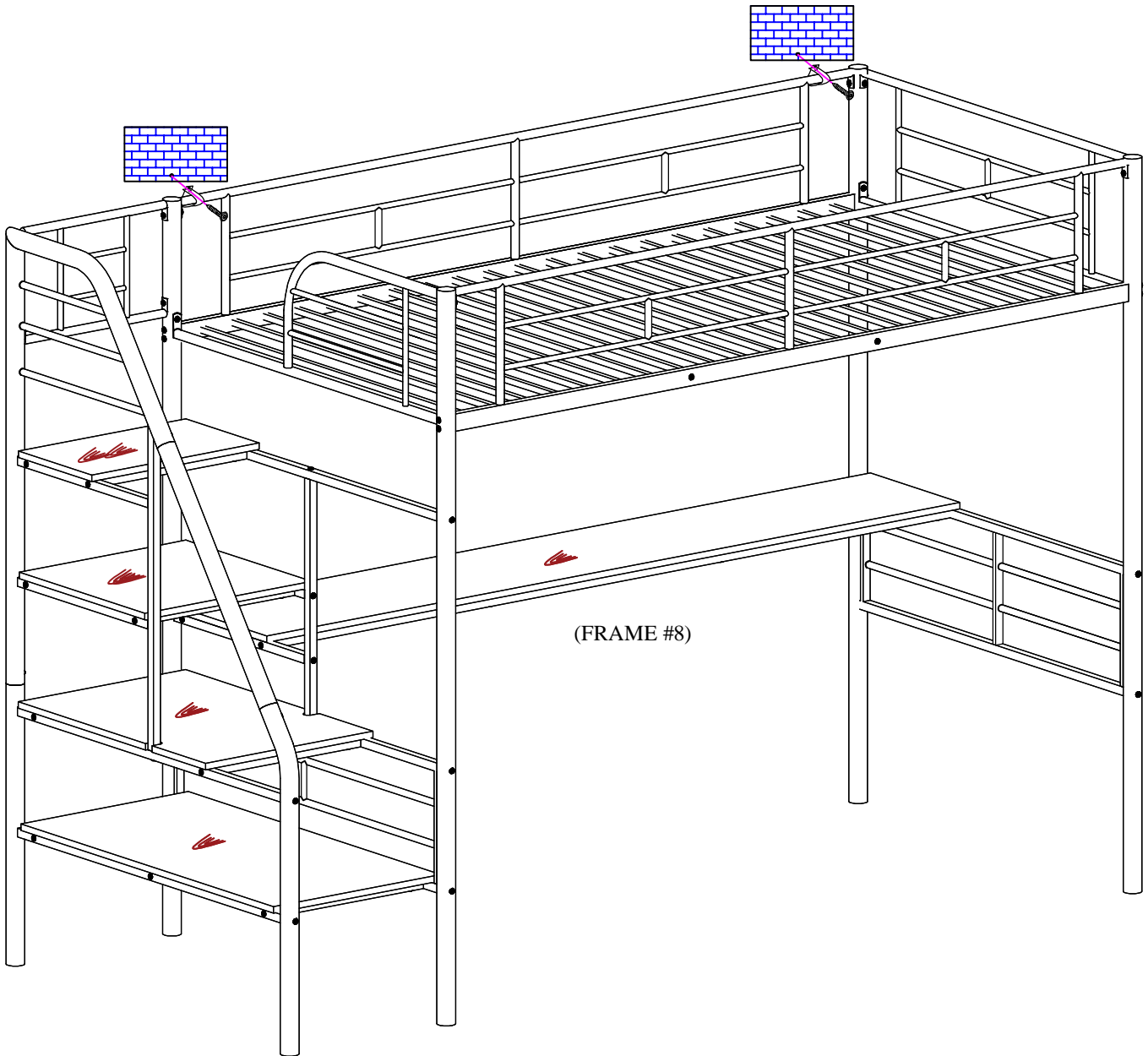
| | |
|---|---|
|  |  |
| 1/4"*28mm - 26pcs | |

LOFT BED
ASSEMBLY INSTRUCTIONS
MF285811&MF285812

STEP 9 :

Following below illustration Assembly Frame # 9.Using hardware #I connect Frame #8 with Wall to complete .

COMPLETED LOFT BED



NOTE: Tighten all step before using. Thank you

