

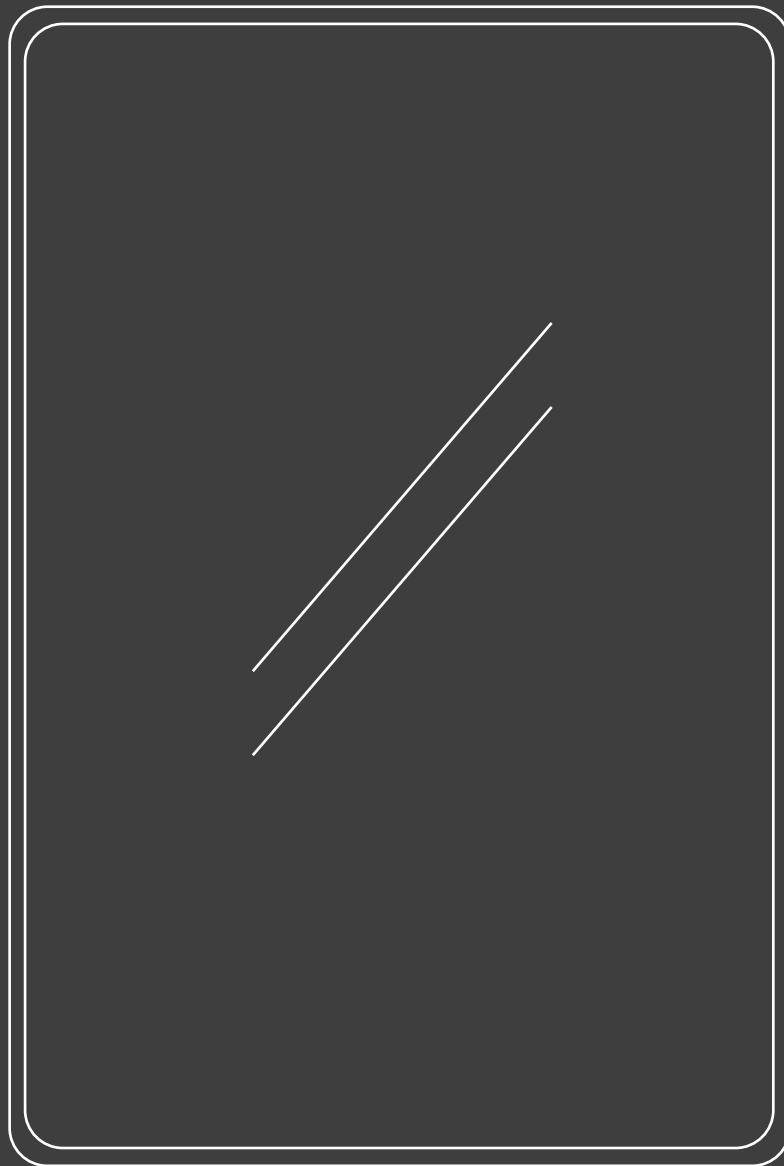
# Wall-mounted Mirror

## Instruction Manual

MI-ACFY-2230

MI-ACFY-2436N

MI-ACFY-3040N



 EST 9:00AM--17:00PM

 [HJ-Customer-Service@outlook.com](mailto:HJ-Customer-Service@outlook.com)

 (909)637-7665 | (909)637-7593

# Before Assembly

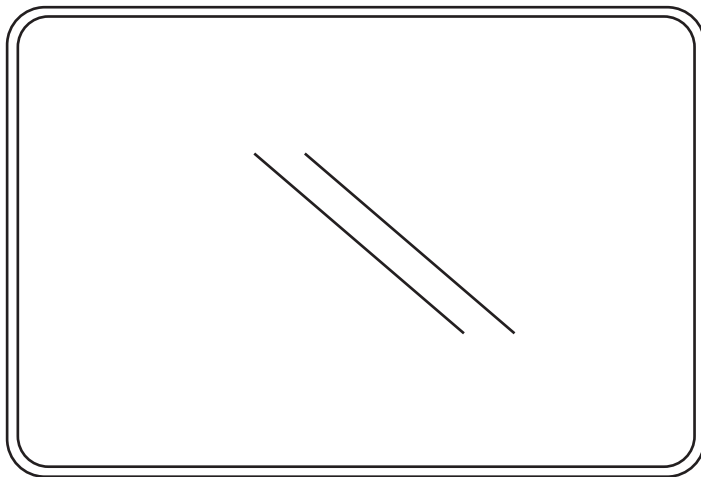
## Assembly Tips

- Check the list of contents before assembly to ensure that all parts are included in the package.
- Make sure the wall can bear the weight of the mirror.
- Do not use string or chain to hang the products.

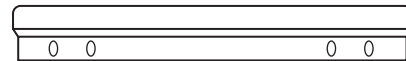
## Care Advice

- Before using, clean with warm water and a soft, lint-free cloth.
- Check all the screws and bolts are tight every three months or as needed.
- Clean with an ammonia-free glass cleaner or detergent.
- Avoid spraying cleaners directly onto the mirror.

## Package List



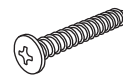
Mirror  
x1



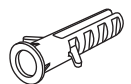
Hanging Piece  
x1



Level  
x1



Screws  
x4



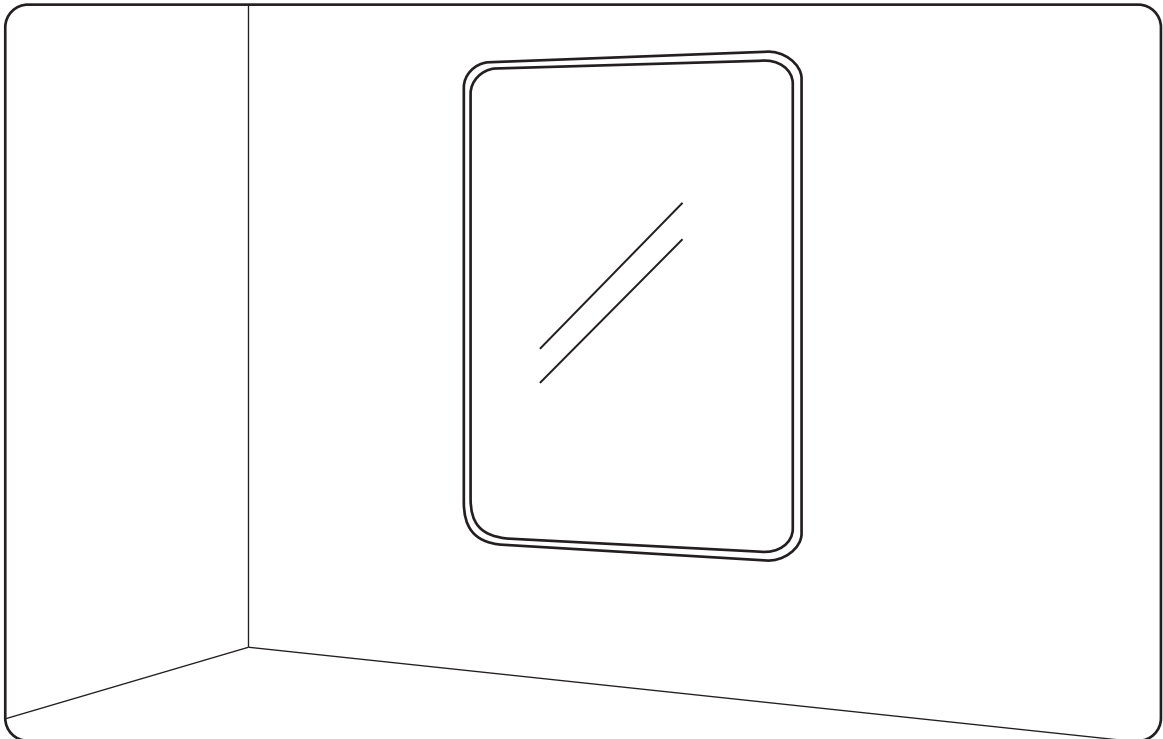
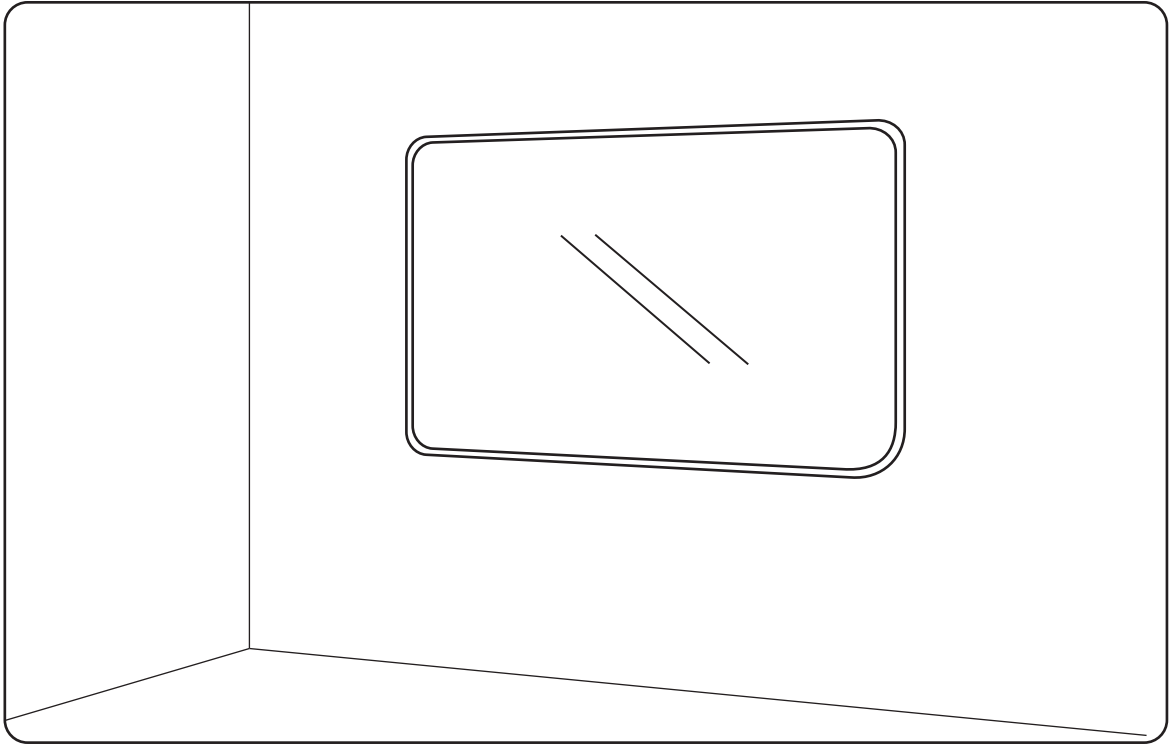
Expansion Tube  
x4

## Tools Required (Not Provided)



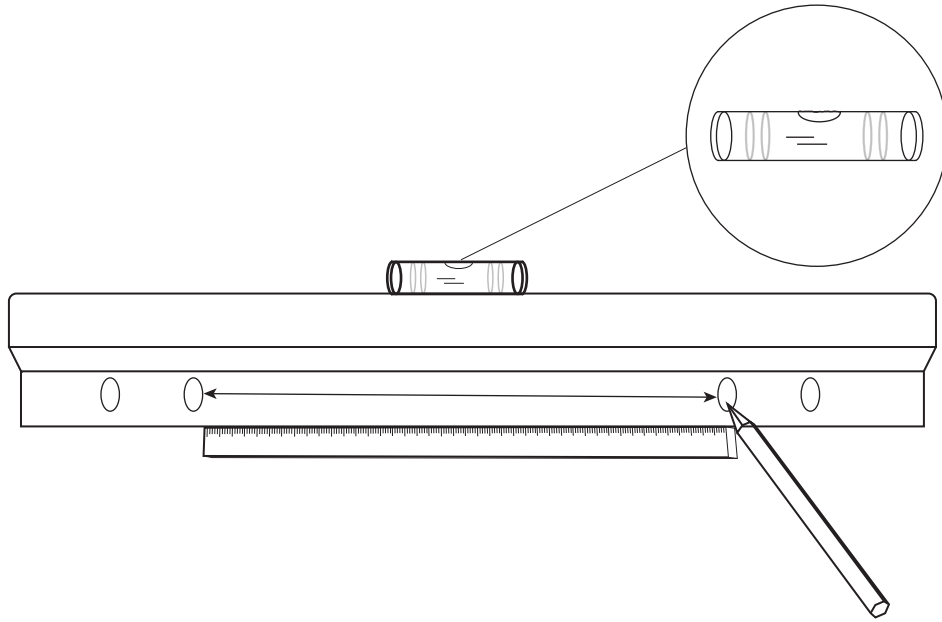
# Usage Method

---



# Step 1

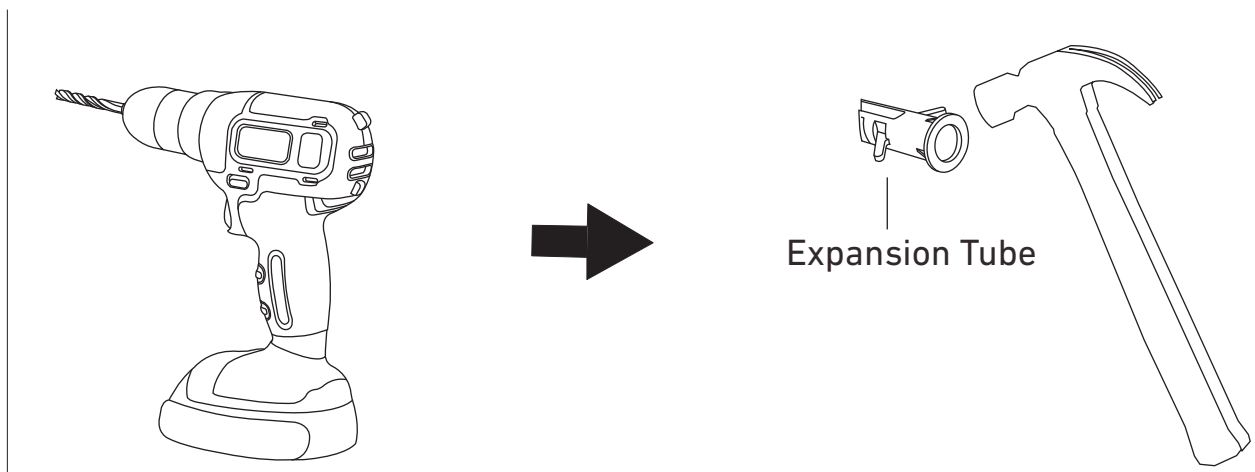
---



Use a Level to determine the horizontal position for Hanging Piece. Accurately measure the distance between the screw holes with a ruler, and mark the hole locations accordingly.

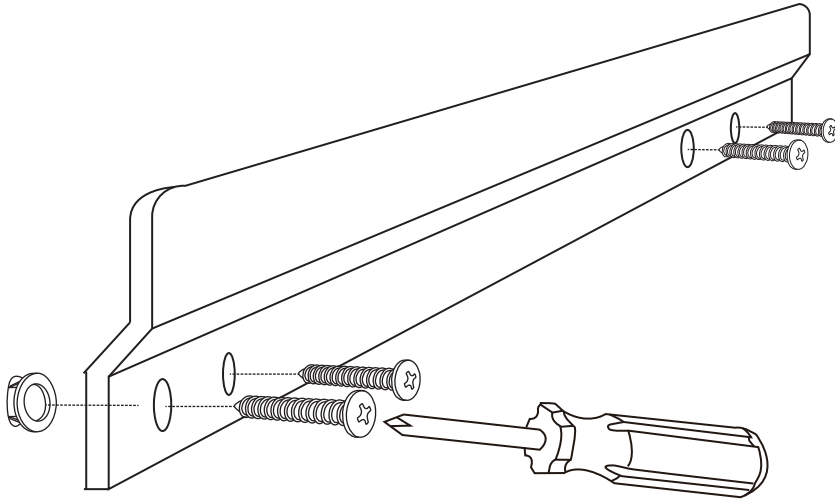
# Step 2

---



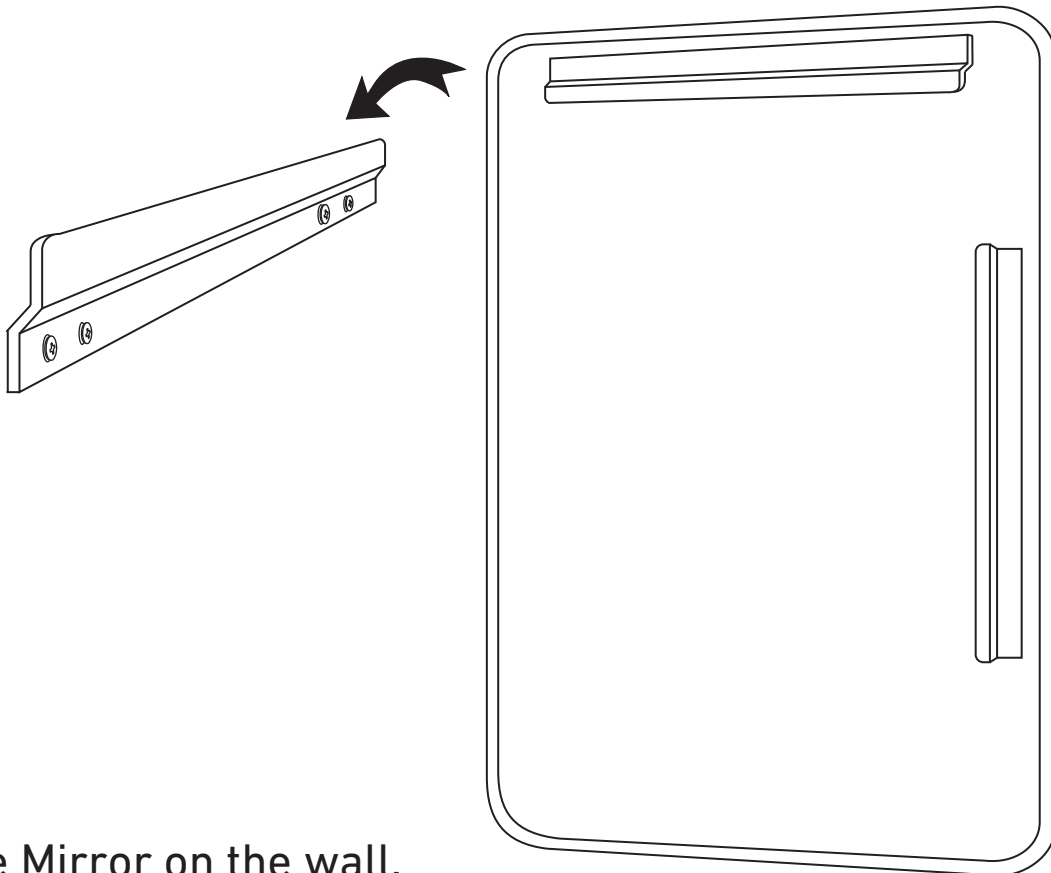
Drill holes at the marked positions on the wall. Hammer the Expansion Tube into the holes.

## Step 3

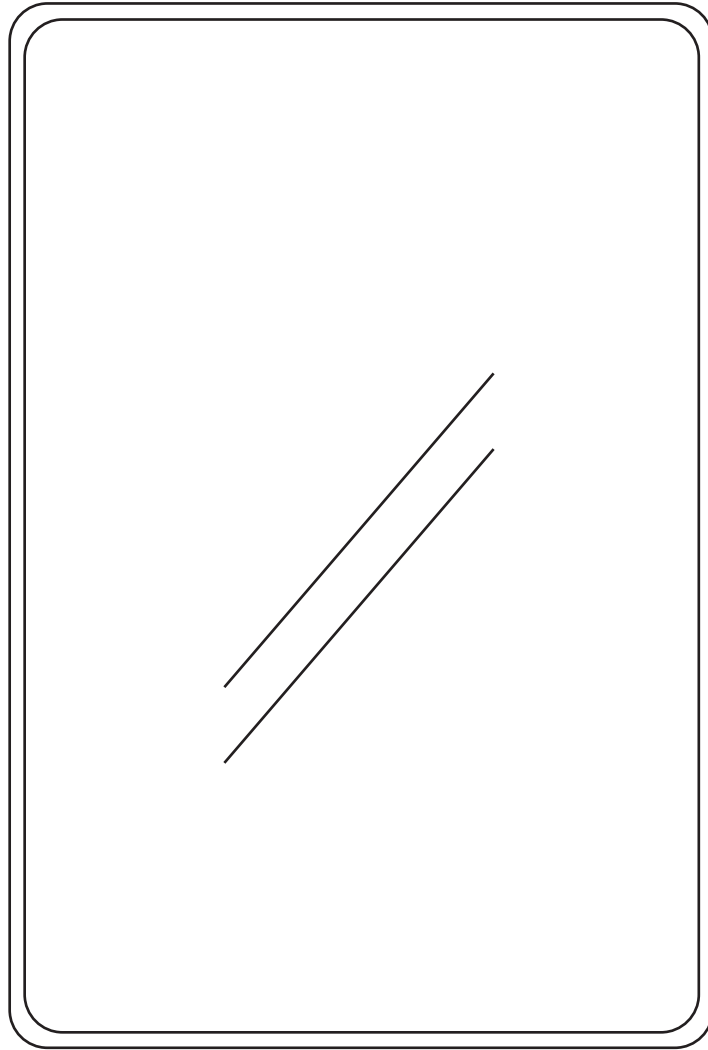


Align the screw holes of the Hanging Piece with the Expansion Tube, and install it to the Expansion Tube with Screws.

## Step 4



Hang the Mirror on the wall.



## **Technical Support**

(909)637-7665 | (909)637-7593

## **Other Info**

HJ-Customer-Service@outlook.com

Thank you for choosing this product. We strive to provide you with the best quality products and service in the industry. Should you have any issues, please don't hesitate to contact us.