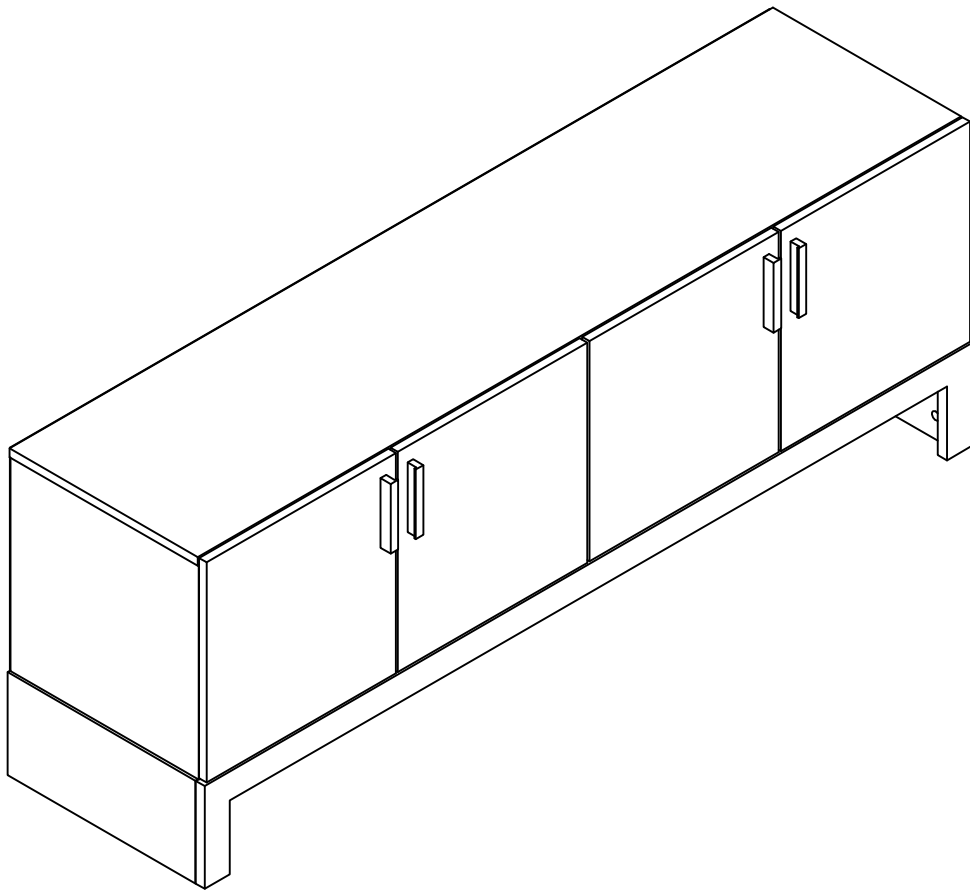


# ASSEMBLY INSTRUCTION

---

ITEM#:213039



# ASSEMBLY INSTRUCTION

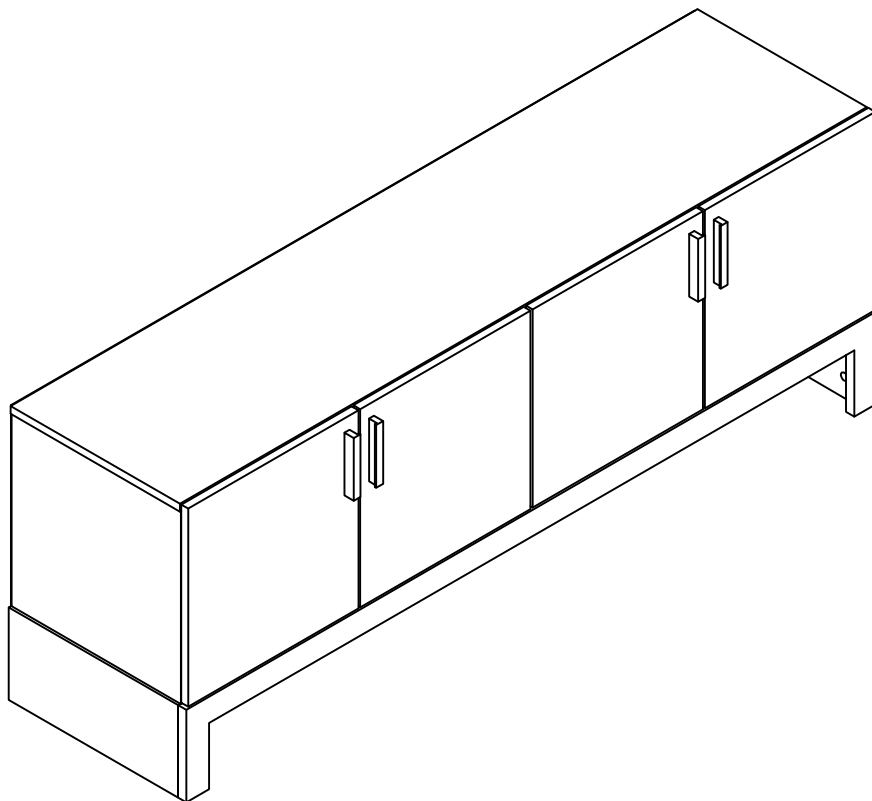
---

## PLEASE READ BEFORE ASSEMBLING!

Tip #1: Make sure you've taken all the pieces and hardware out of its packaging before discarding the box.

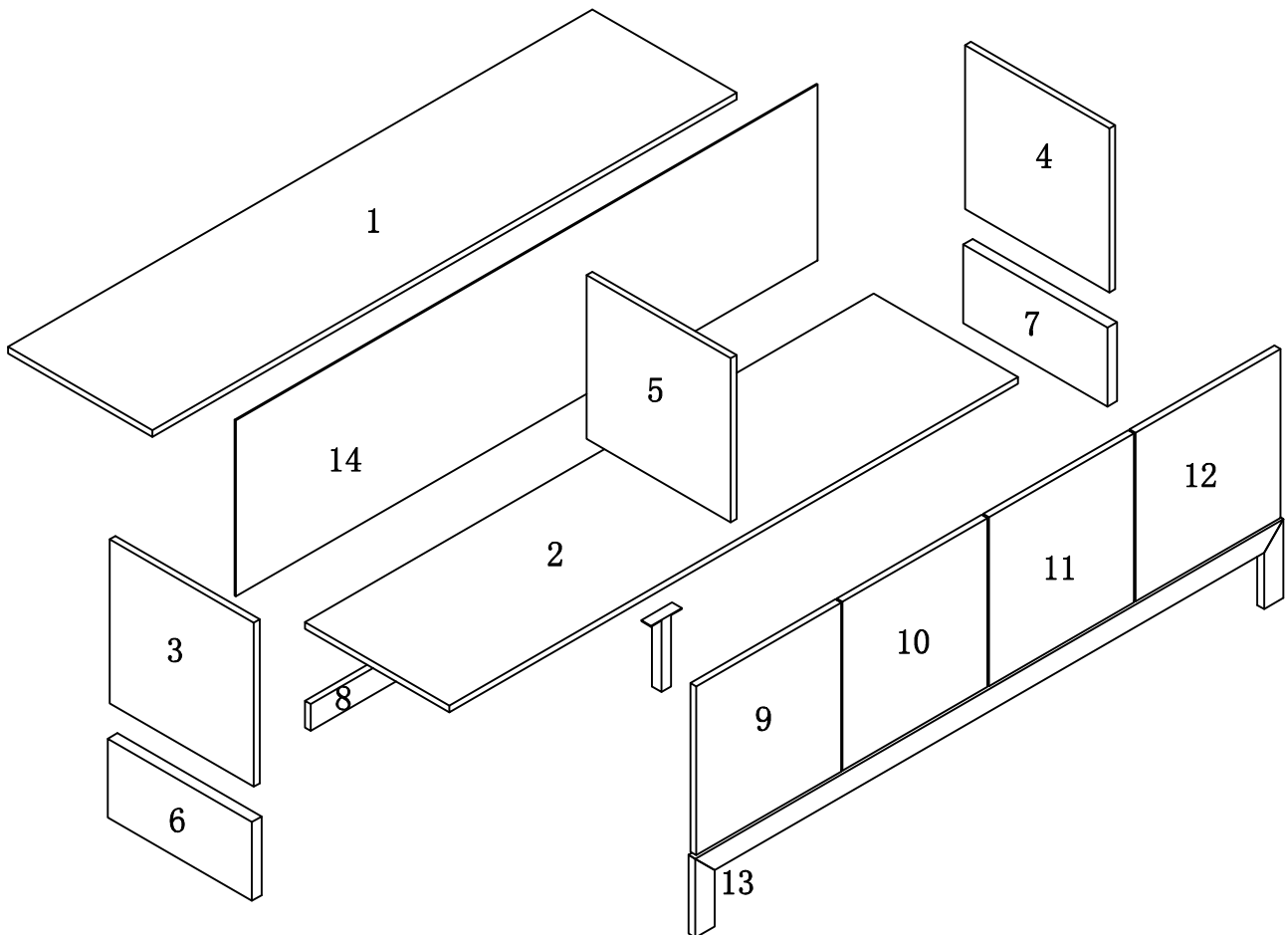
Tip #2: Using page 2 and/or page 3 of instruction manual make sure all pieces and hardware are accounted for.

**ITEM#:213039**



# PARTS IDENTIFICATION

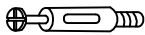


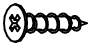


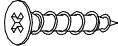

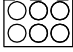

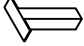

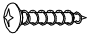
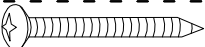
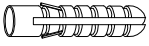

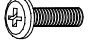


ITEM#:213039



(1)	1pc	(8)	1pc
(2)	1pc	(9)	1pc
(3)	1pc	(10)	1pc
(4)	1pc	(11)	1pc
(5)	1pc	(12)	1pc
(6)	1pc	(13)	1pc
(7)	1pc	(14)	1pc

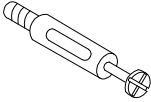

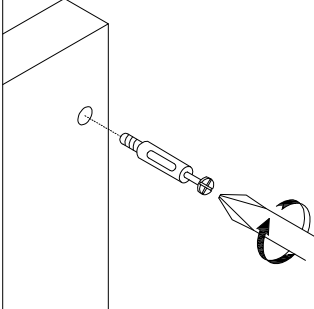
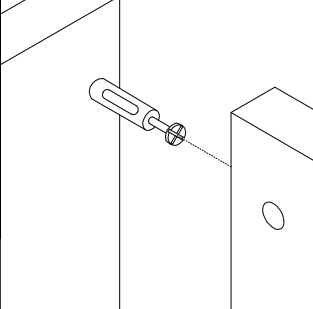
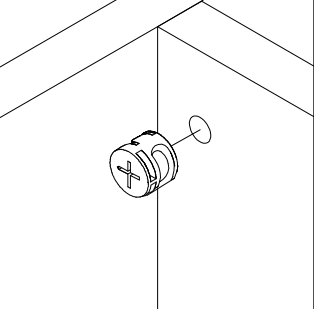
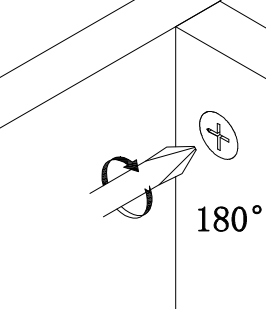
# HARDWARE IDENTIFICATION

ITEM#:213039

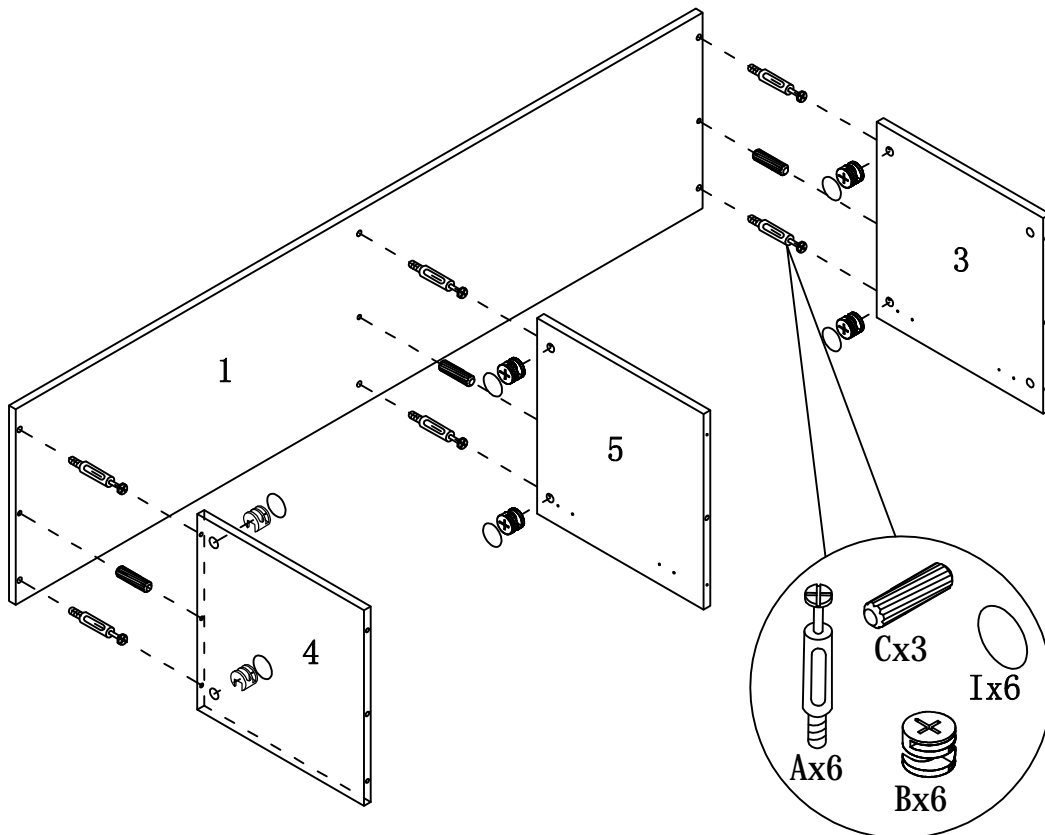
A		L29	24PCS
B		$\Phi 15$	24PCS
C		$\Phi 8 \times 25$	16PCS
D		$\Phi 3.5 \times 14$	48PCS
E			4PCS
F			4PCS
G		$\Phi 4 \times 40$	2PCS
H			22PCS
I		$\Phi 20$	6PCS
J		$\varnothing 6 \times 12$	2PCS
K		H162	1PCS
L		$197 \times 5 \times 1$	1PC
M		$\varnothing 4 \times 25$	1PC
N		$\varnothing 5 \times 40$	1PC
O		$\varnothing 8 \times 40$	1PC
P		$12 \times 12 \times 1$	2PCS
Q		$\varnothing 4 \times 22$	8PCS
R		96#	4PCS
S			4PCS

# HARDWARE IDENTIFICATION

ITEM#:213039

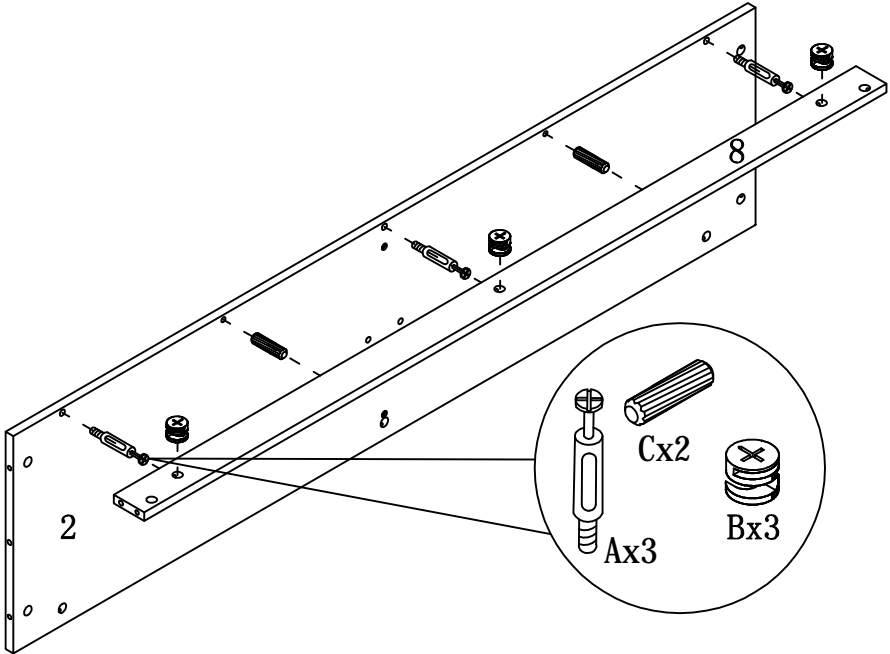
HOW TO	1	2	3	4
 <p>Cam Bolt</p>  <p>Cam Lock</p>				 <p>180°</p>
	<p>1. Screw Cam Bolt into panel.</p>	<p>2. Insert Cam Bolt into bolt hole of joining panel.</p>	<p>3. Insert Cam Lock. arrow facing bolt.</p>	<p>4. Gently turn Cam Lock clockwise to lock position.</p>

## STEP 1



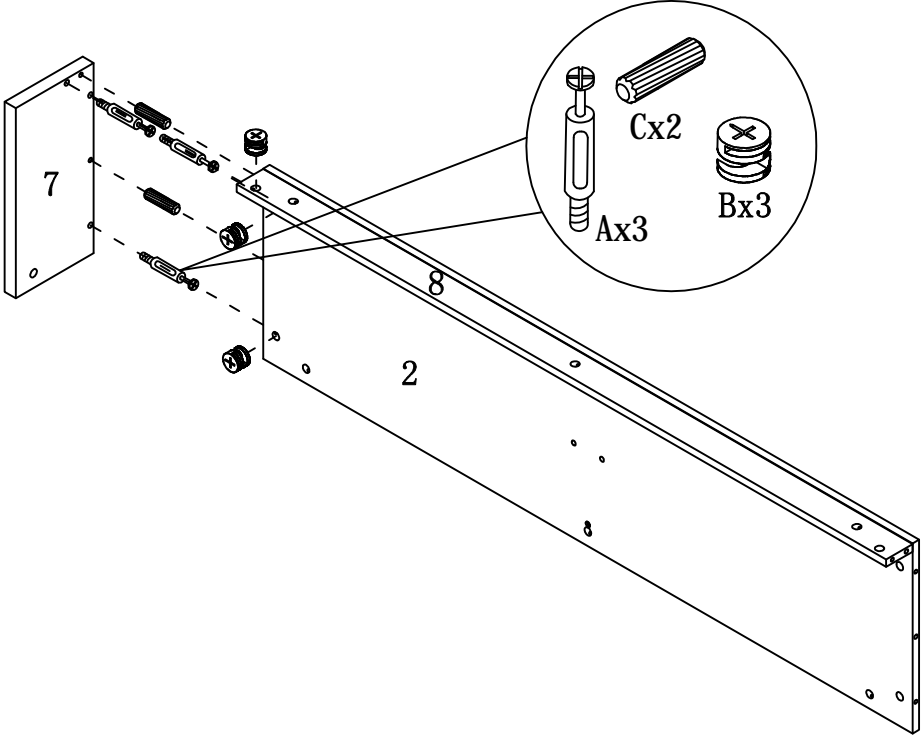
# HARDWARE IDENTIFICATION

ITEM#:213039



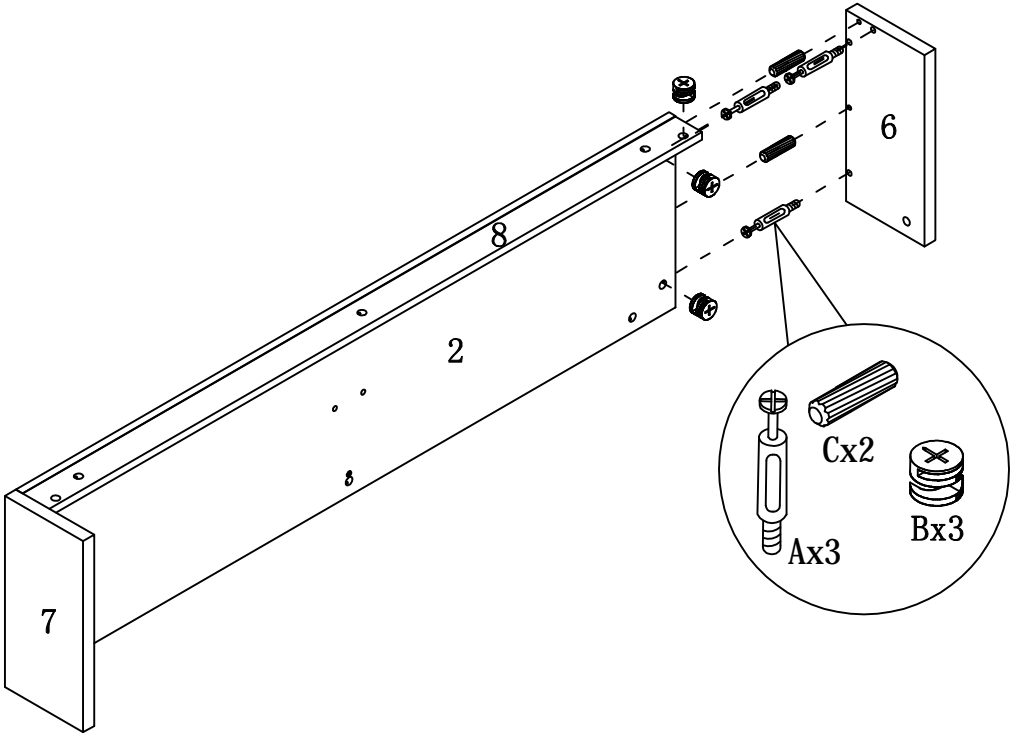
STEP2

STEP3



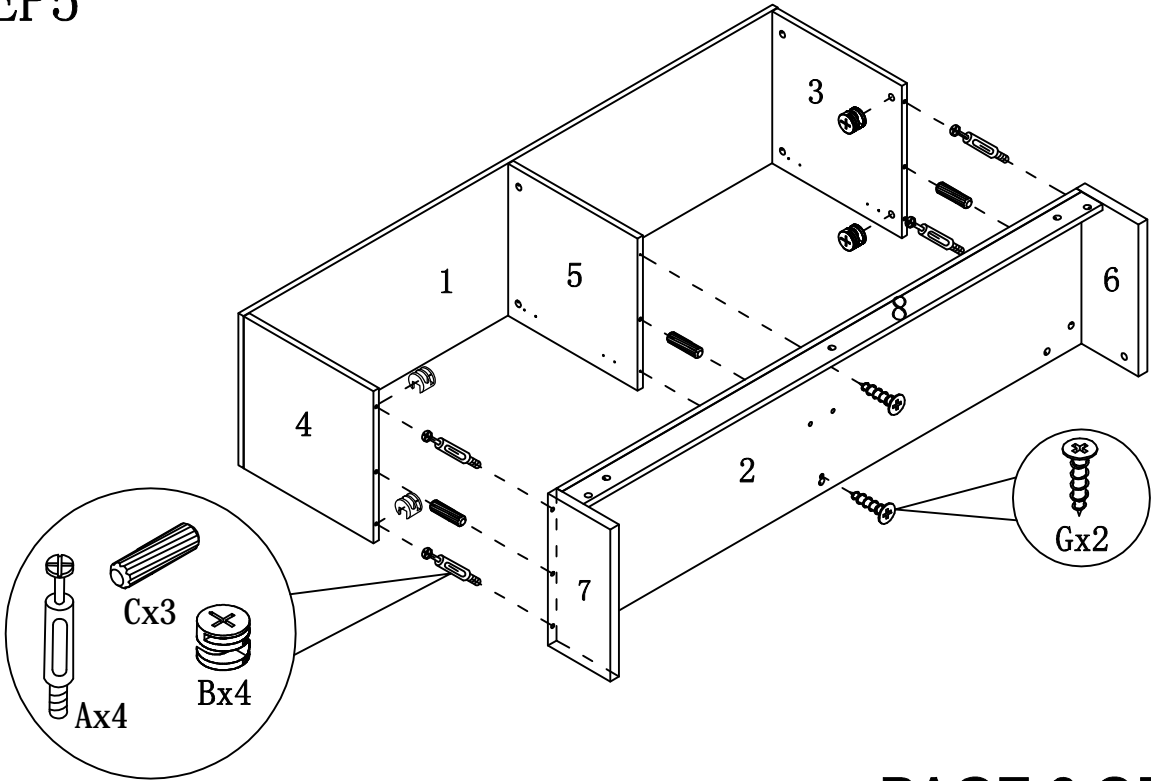
# HARDWARE IDENTIFICATION

ITEM#:213039



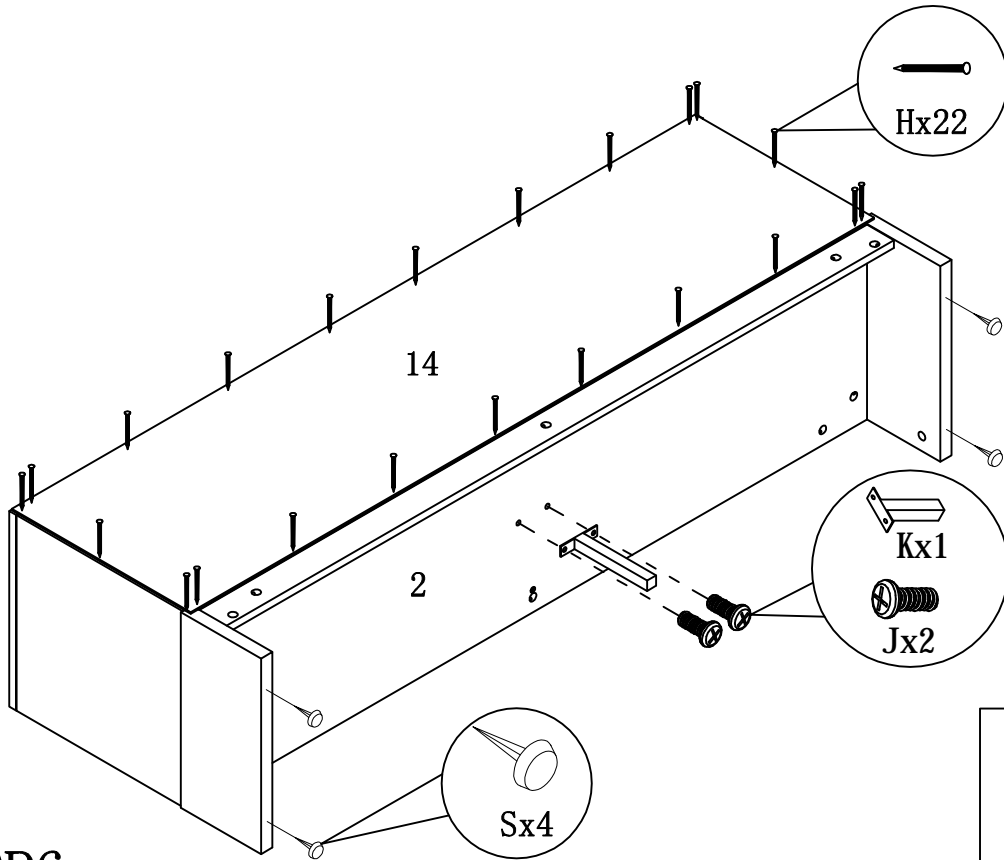
STEP4

STEP5



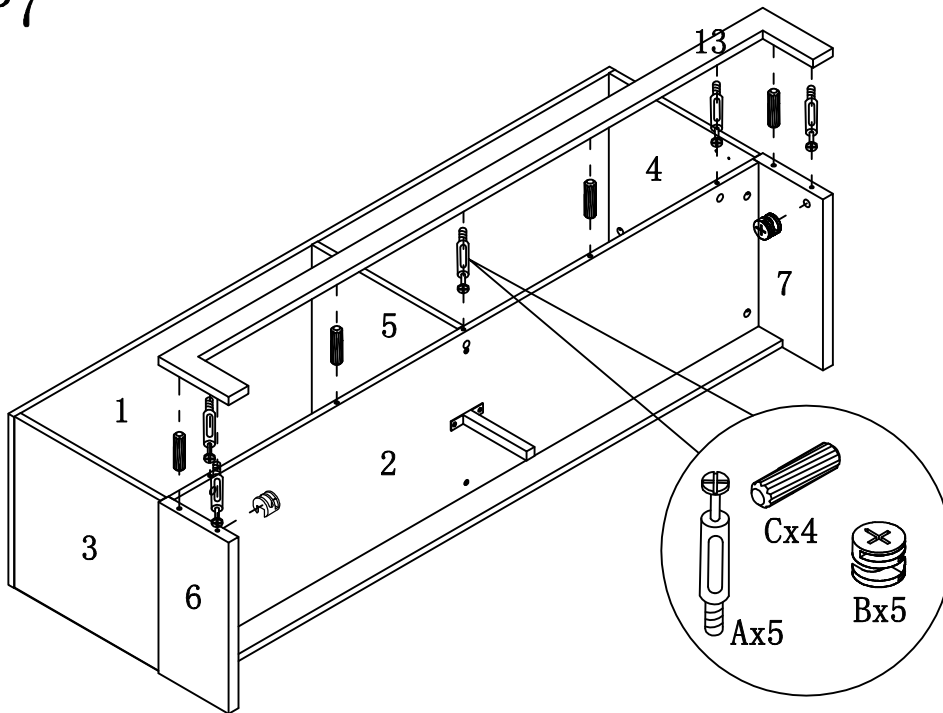
# HARDWARE IDENTIFICATION

ITEM#:213039



STEP6

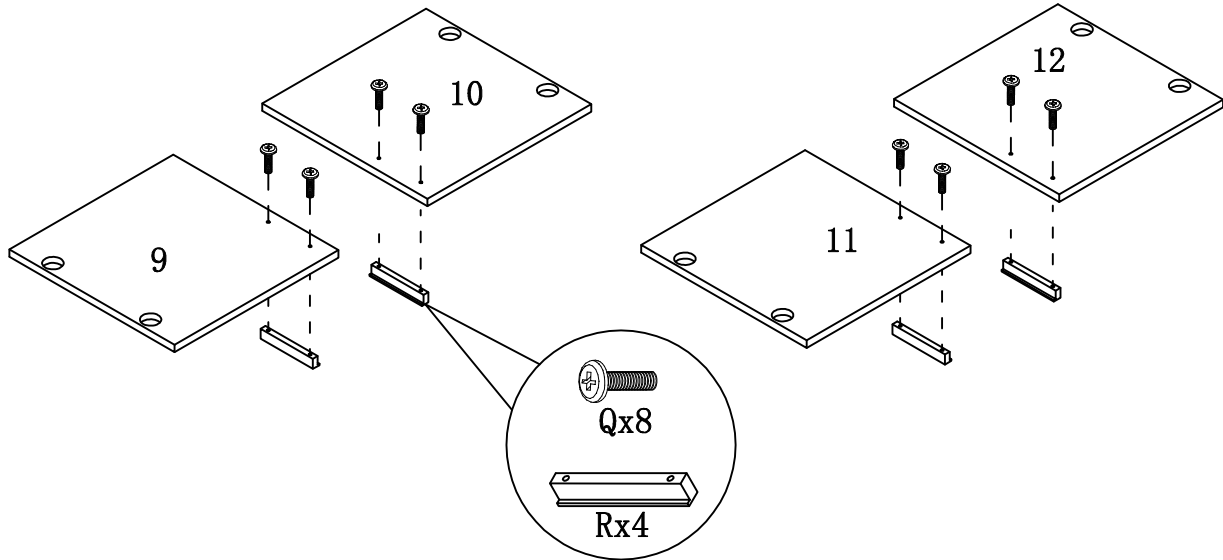
STEP7





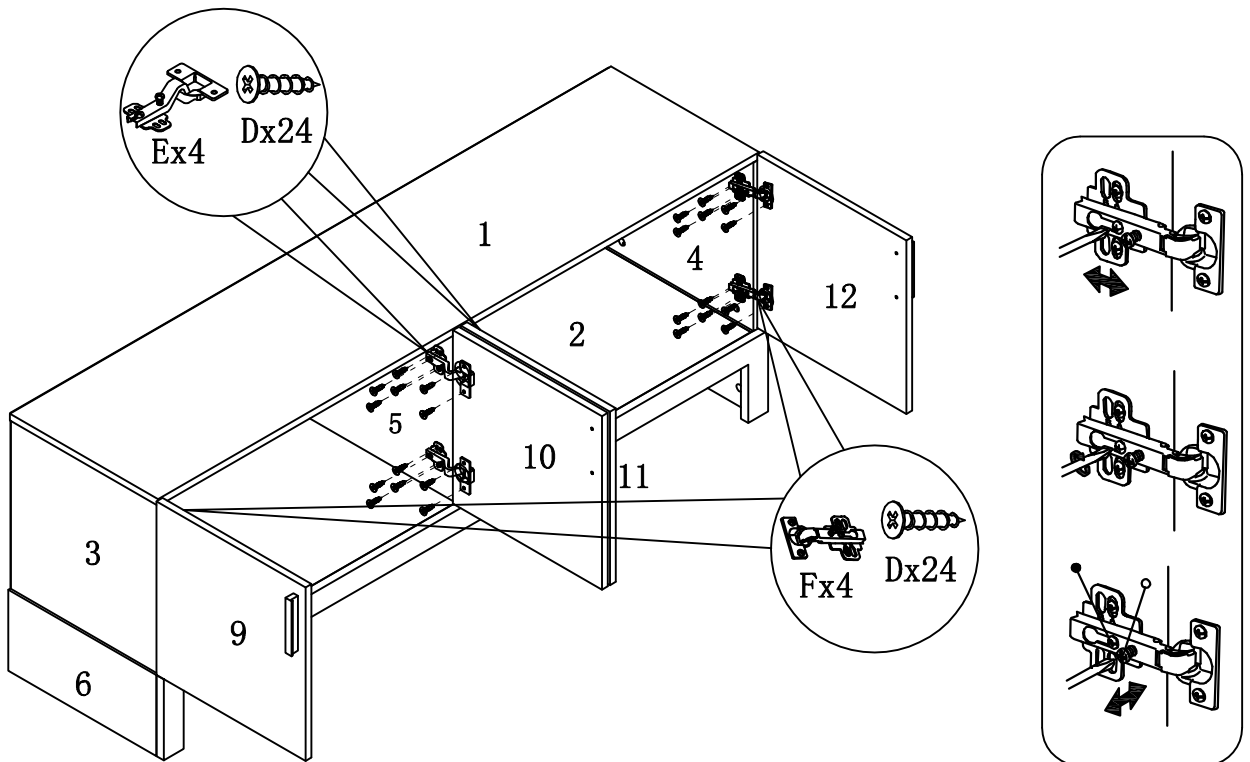
# HARDWARE IDENTIFICATION

ITEM#:213039



STEP8

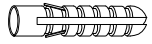
STEP9



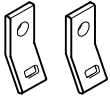
PAGE:8 OF 8

# ANTI-TIPPING STRAP INSTRUCTION

## HARDWARE (INCLUDED) :



DRYWALL ANCHOR  $\phi 8 \times 40$  X 1PC



METAL BRACKETS  $12 \times 12 \times 1$  X 2PCS



DRYWALL SCREW  $\phi 5 \times 40$  X 1PC

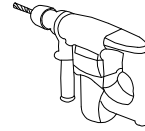


STRAP  $197 \times 5 \times 1$  X 1PC



FLATHEAD SCREW  $\phi 4 \times 25$  X 1PC

## TOOLS NEEDED ( NOT INCLUDED) :



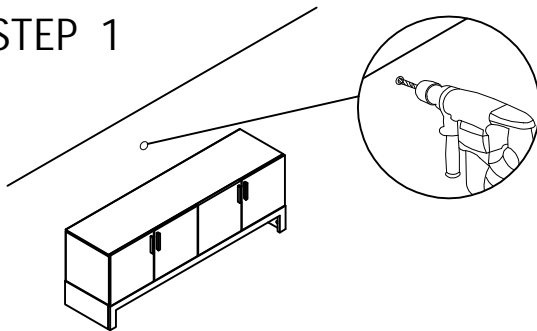
DRILL & DRILL BIT



LIGHT HAMMER

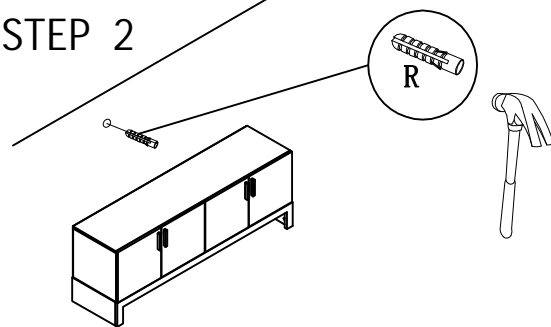
Note: Hardware included only compatible with standard drywalls.

### STEP 1



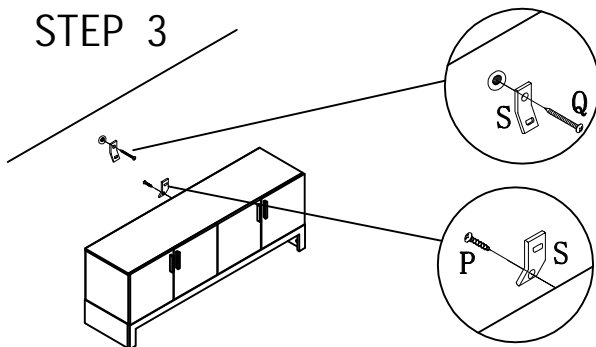
1. Find spot on wall 1" below top of item.
2. Using a drill bit slightly thinner than anchor, drill hole into drywall.

### STEP 2



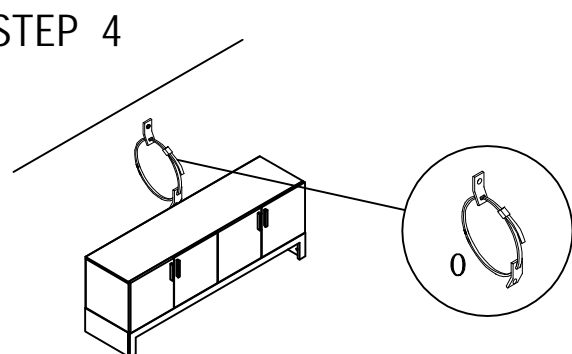
1. Use a light hammer to tap anchor into hole.
2. Anchor should fit snugly. If hole is too small, drill again to increase hole size. Do not force anchor into wall.

### STEP 3



1. Insert drywall screw into metal bracket and into drywall anchor.
2. Insert flathead screw into second metal bracket and into back of item along top edge.

### STEP 4



1. Insert strap thru bracket attached to wall, then thru bracket on item, and into head of strap.
  2. pull lightly til strap stops.
- Assembly is complete.