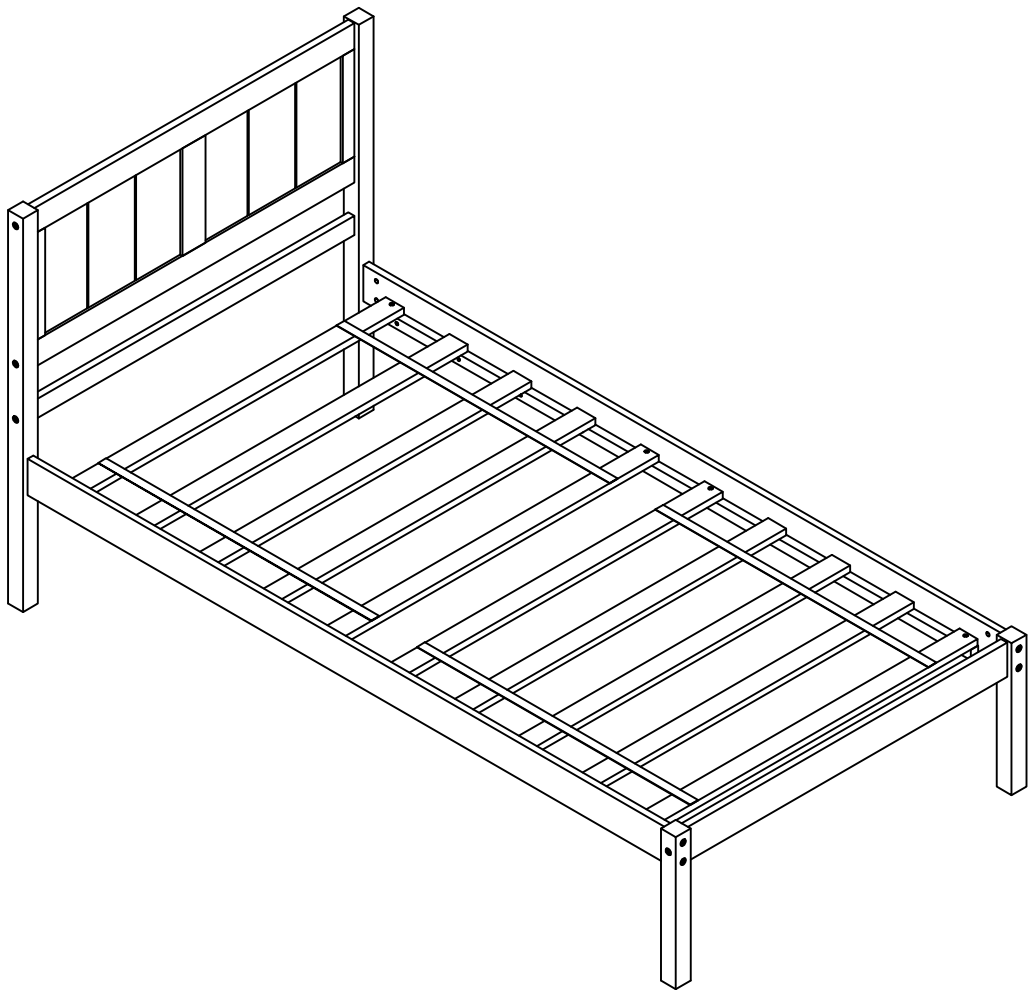


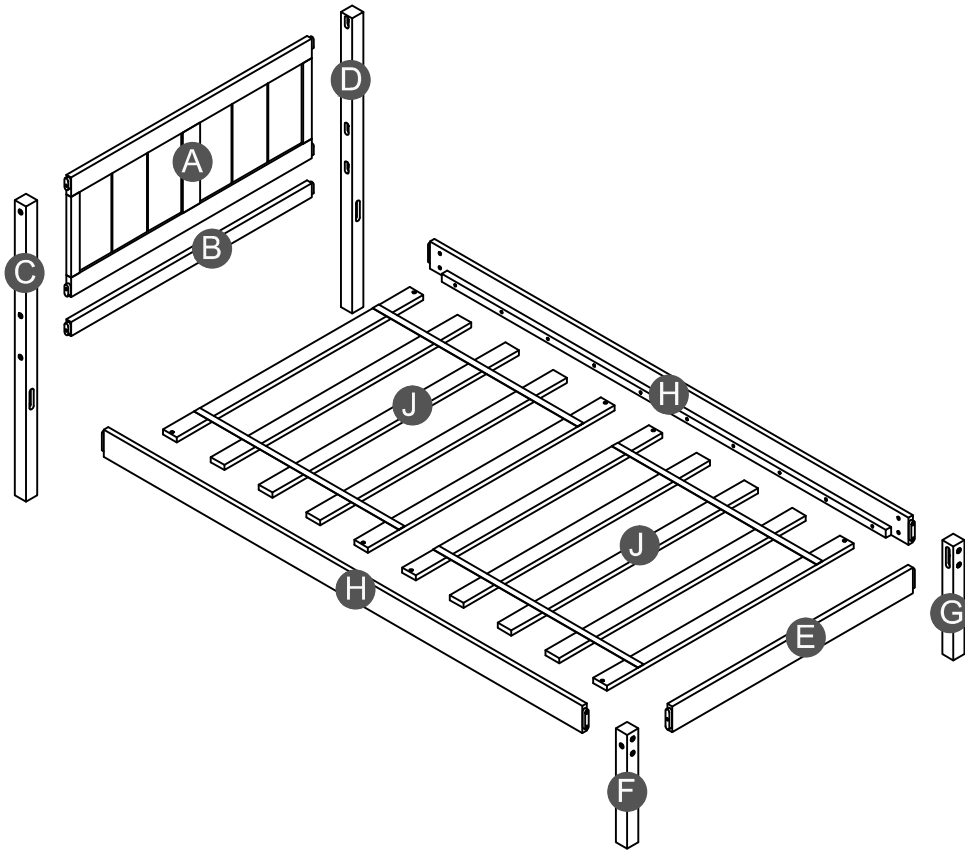
ASSEMBLY INSTRUCTIONS

BED

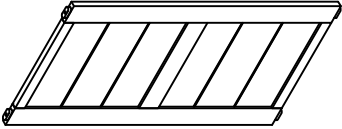
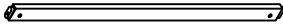
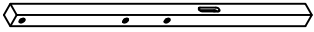


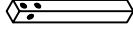
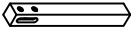

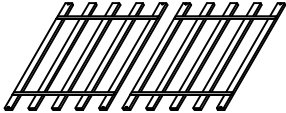


WF195378


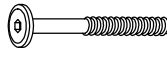
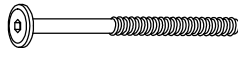
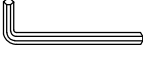

Detail View



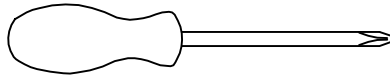
Part List

<p>A</p>  <p>Headboard - 1pc</p>	<p>B</p>  <p>Horizontal bar - 1pc</p>	<p>C</p>  <p>Leg headboard(Left) - 1pc</p>
<p>D</p>  <p>Leg headboard(Right) - 1pc</p>	<p>E</p>  <p>Footboard(FB) - 1pc</p>	<p>F</p>  <p>Leg footboard(Right) - 1pc</p>
<p>G</p>  <p>Leg footboard(Left) - 1pc</p>	<p>H</p>  <p>Side rail - 2pcs</p>	<p>J</p>  <p>Slat - (10pcs)</p>

Hardware List

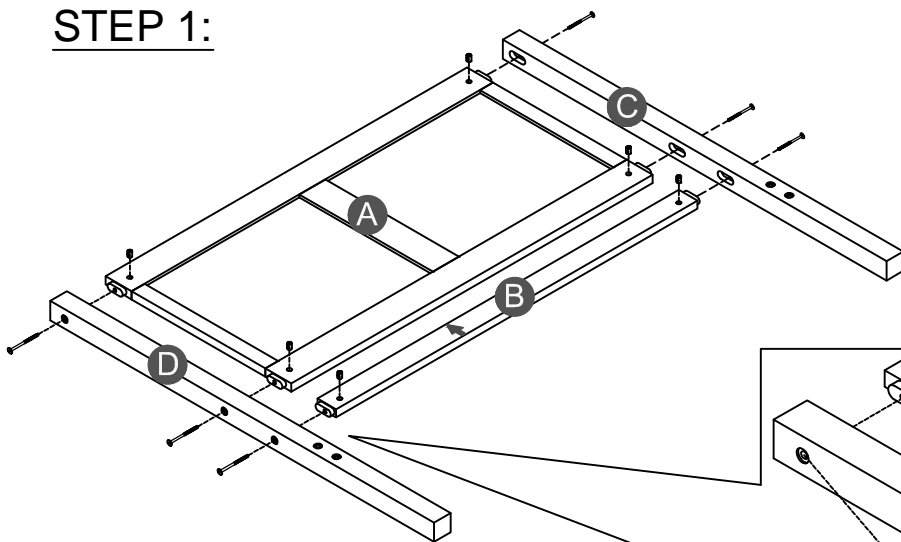
1  Ø4*30mm	2  (Ø15)1/4"*80mm	3  (Ø15)1/4"*100mm
Wood screws (8pcs)	Hex-Head bolts (8pcs)	Hex-Head bolts (8pcs)
4  (1/4")4.5*58mm	5  1/4"*15 (9.5mm)	
Allen key (1pc)	Horizontal-Hole bolts(16pcs)	



ASSEMBLY TOOLS REQUIRED (NOT INCLUDED)

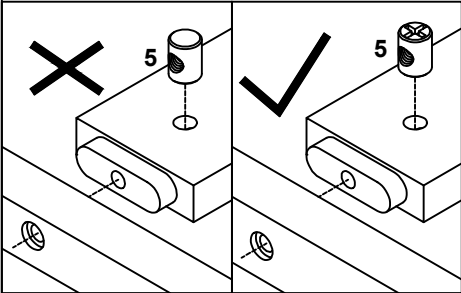
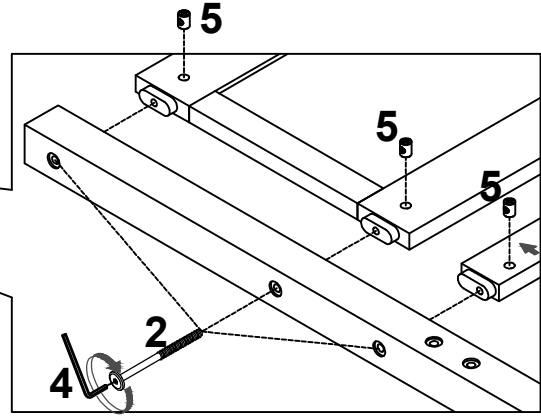


PLEASE BE CAREFUL DO NOT DAMAGE THE HOLE POSITION WHEN YOU USE POWER TOOLS !

STEP 1:

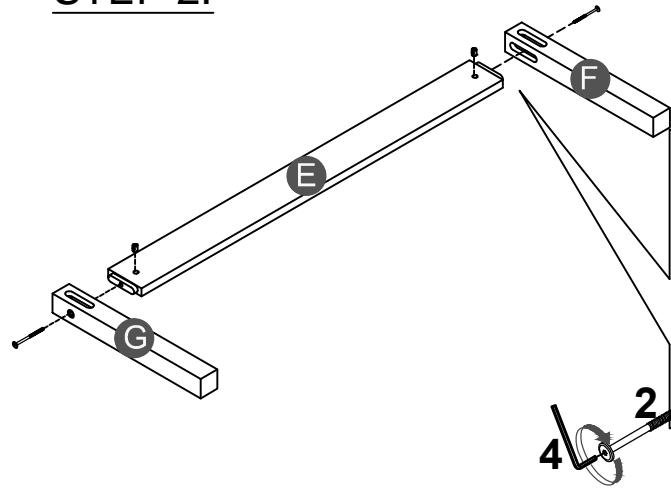




2		5	
6PCS		6PCS	

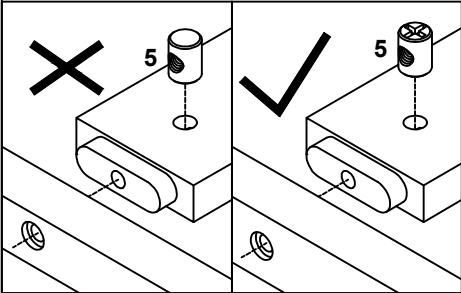
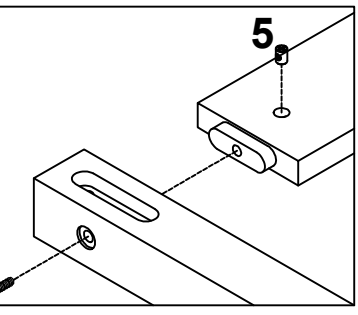


Note: Part 5 will face up with the "x" mark on it, otherwise it cannot be tightened

STEP 2:

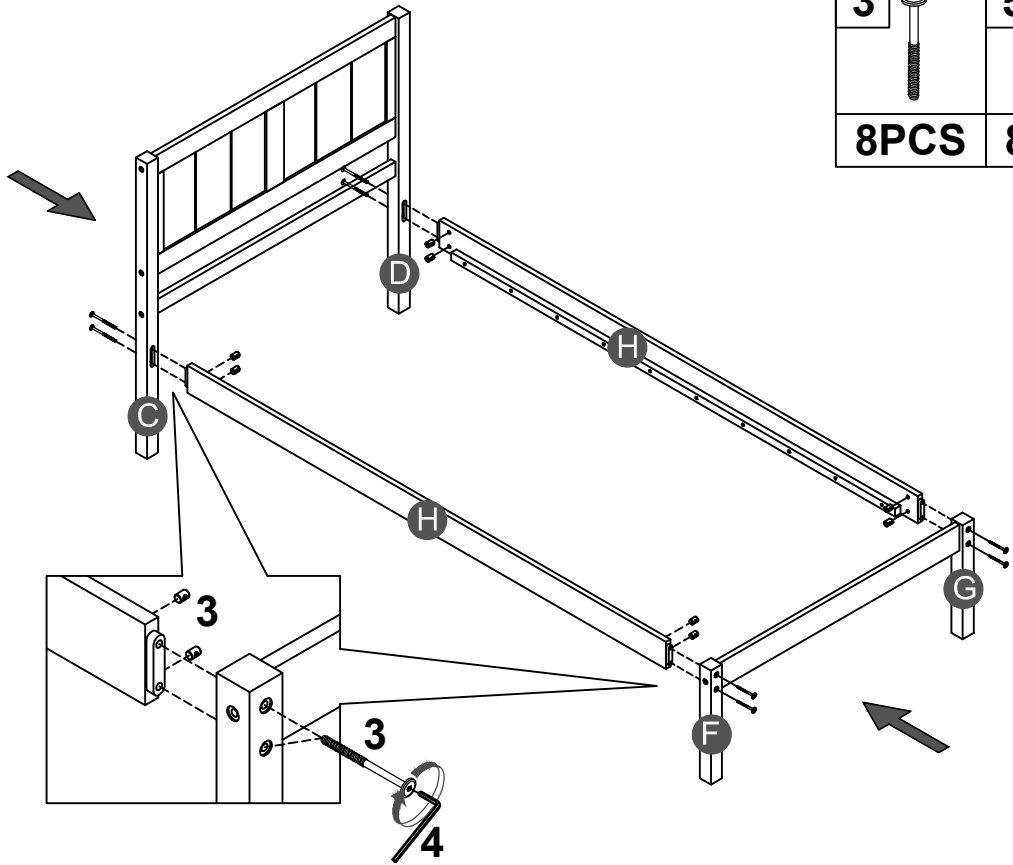




2		5	
2PCS		2PCS	



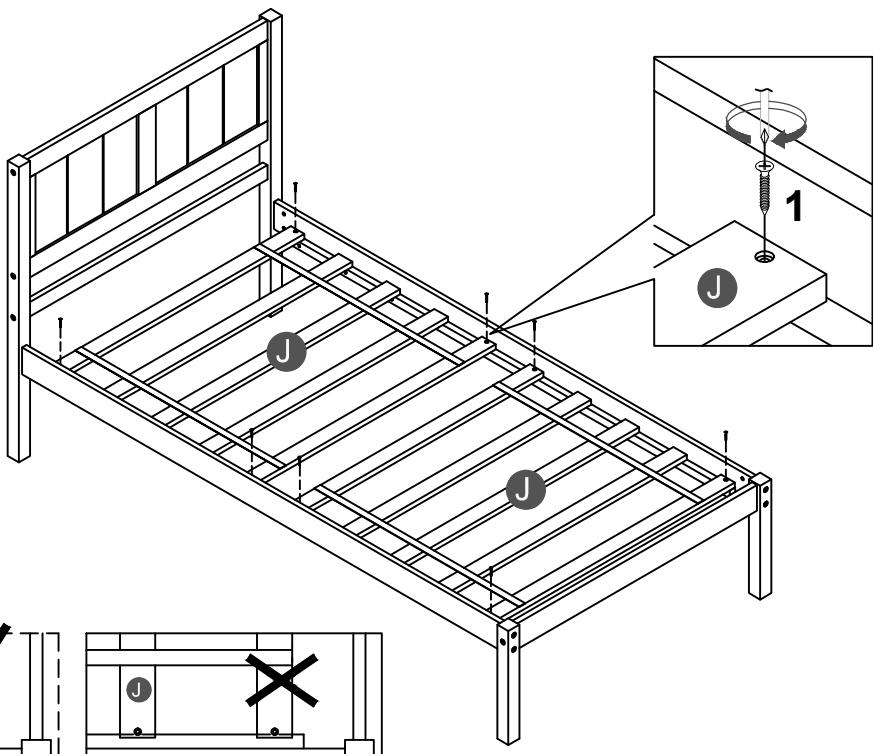
Note: Part 5 will face up with the "x" mark on it, otherwise it cannot be tightened


STEP 3:



3		5	
8PCS		8PCS	

STEP 4:



1	
8PCS	

Note: Do not lock the screws of the bed slats to the outermost edge of the bed slats, you need to leave a certain space at the edges, otherwise it will cause the board to break