



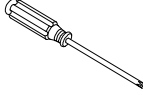
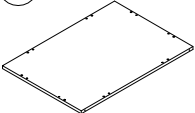
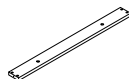
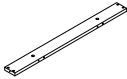
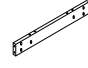
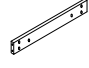
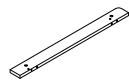

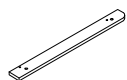

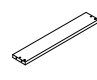
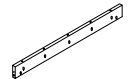
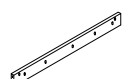

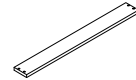
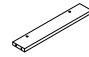
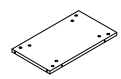
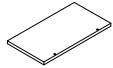
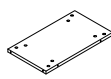
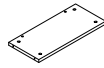
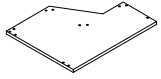
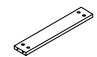
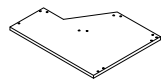
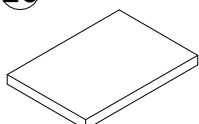



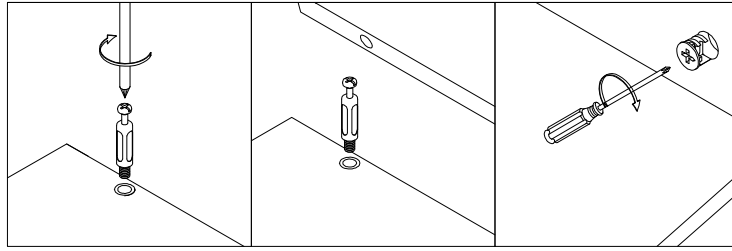
Hardware List

<p>(A)</p>  <p>78PCS (M6*40)</p>	<p>(B)</p>  <p>16PCS (M8*40)</p>	<p>(C)</p>  <p>78PCS (\varnothing12*15)</p>	<p>(D)</p>  <p>12PCS (M5*50)</p>
 <p>1PC</p>			

Panel List

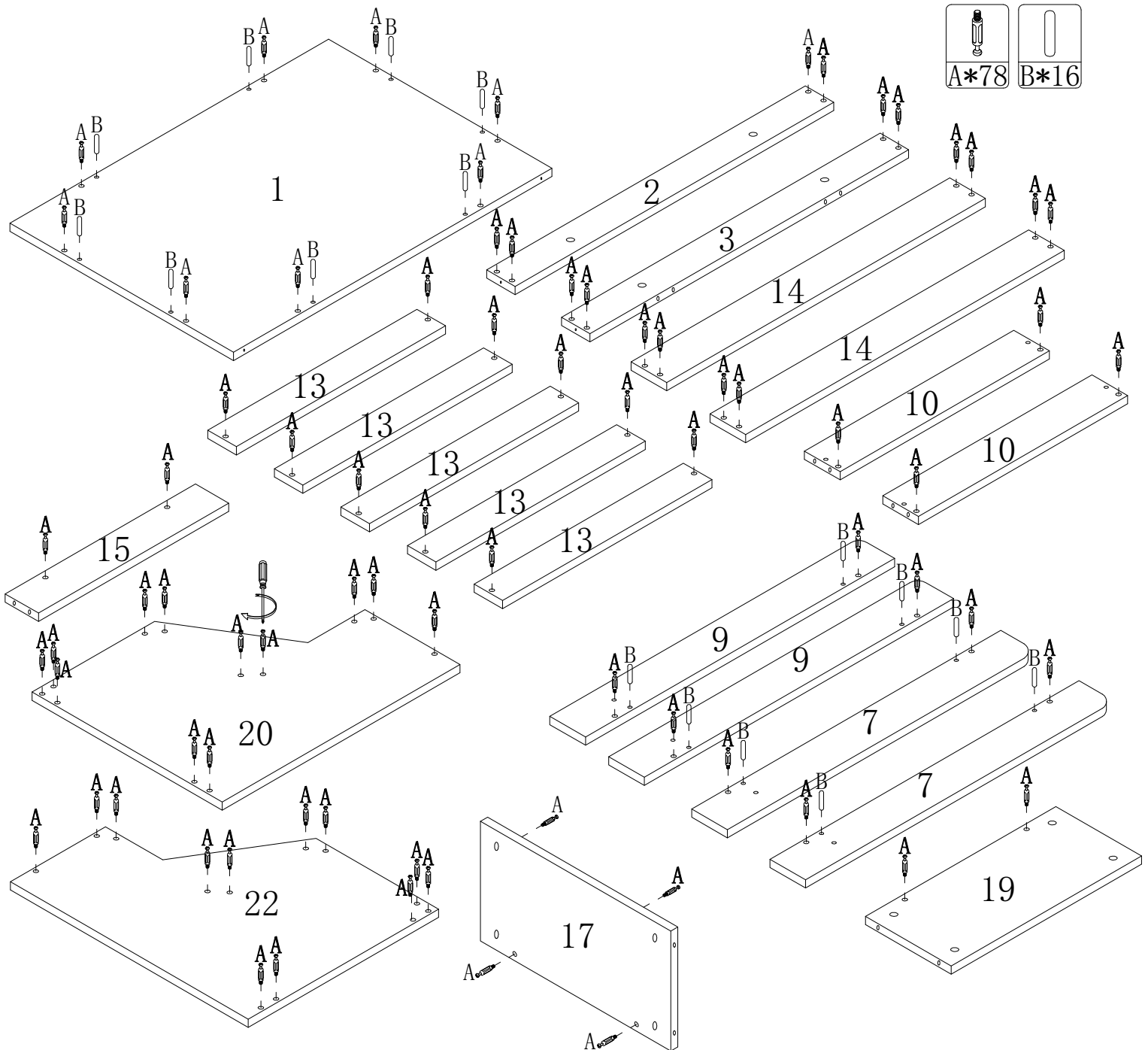
<p>(1)</p>  <p>1PC</p>	<p>(2)</p>  <p>1PC</p>	<p>(3)</p>  <p>1PC</p>	<p>(4)</p>  <p>1PC</p>	<p>(5)</p>  <p>1PC</p>
<p>(6)</p>  <p>2PCS</p>	<p>(7)</p>  <p>2PCS</p>	<p>(8)</p>  <p>2PCS</p>	<p>(9)</p>  <p>2PCS</p>	<p>(10)</p>  <p>2PCS</p>
<p>(11)</p>  <p>1PC</p>	<p>(12)</p>  <p>1PC</p>	<p>(13)</p>  <p>5PCS</p>	<p>(14)</p>  <p>2PCS</p>	<p>(15)</p>  <p>1PC</p>
<p>(16)</p>  <p>1PC</p>	<p>(17)</p>  <p>1PC</p>	<p>(18)</p>  <p>1PC</p>	<p>(19)</p>  <p>1PC</p>	<p>(20)</p>  <p>1PC</p>
<p>(21)</p>  <p>1PC</p>	<p>(22)</p>  <p>1PC</p>	<p>(23)</p>  <p>1PC</p>	<p>(24)</p>  <p>2PCS</p>	

Assembling the unit with camlocks and wood dowels

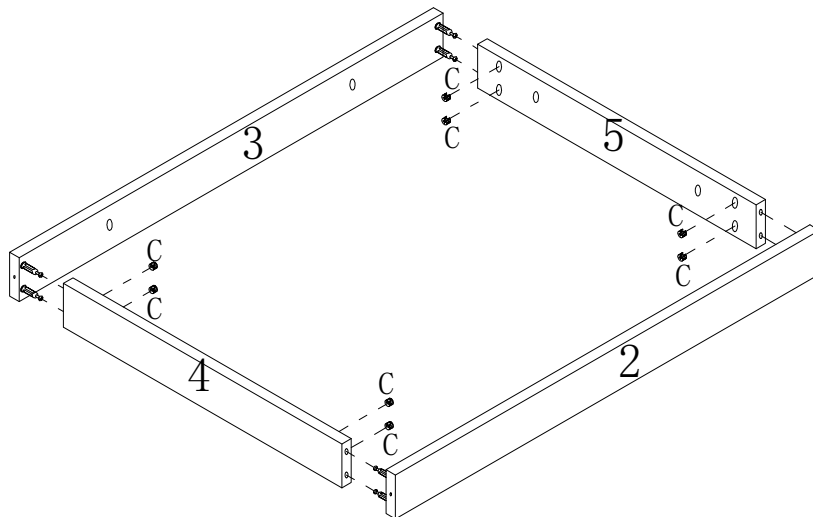
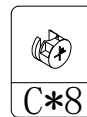


Assembly instructions

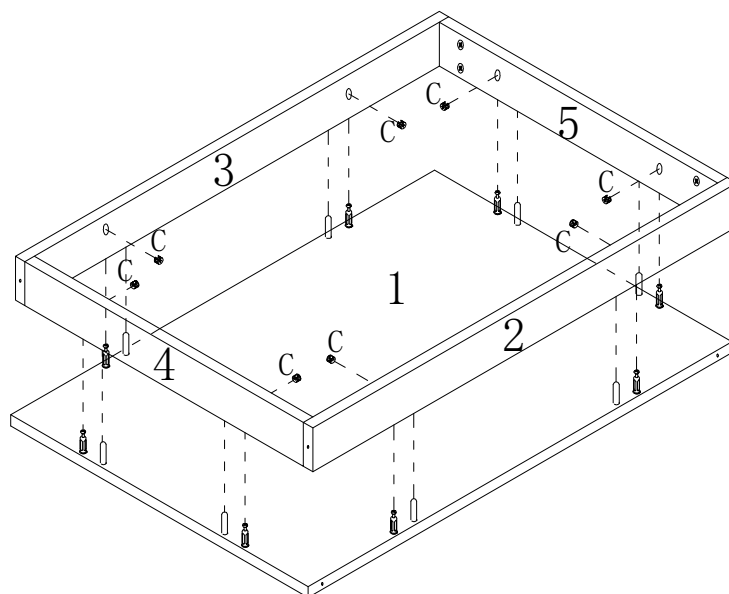
step 1



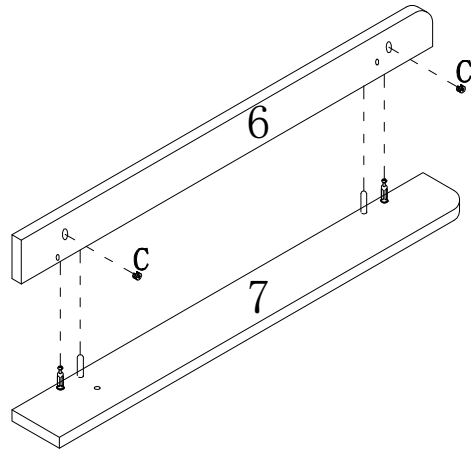
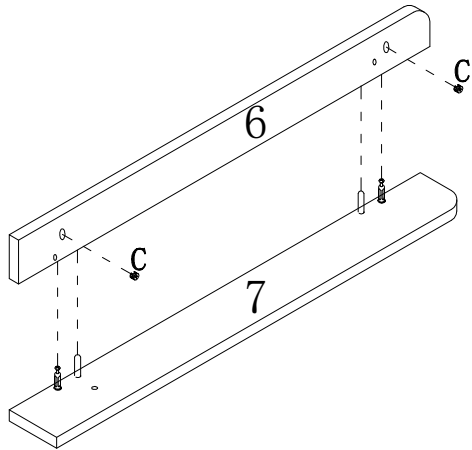
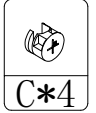
step 2



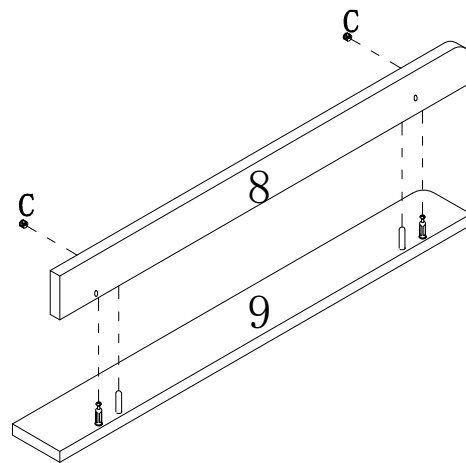
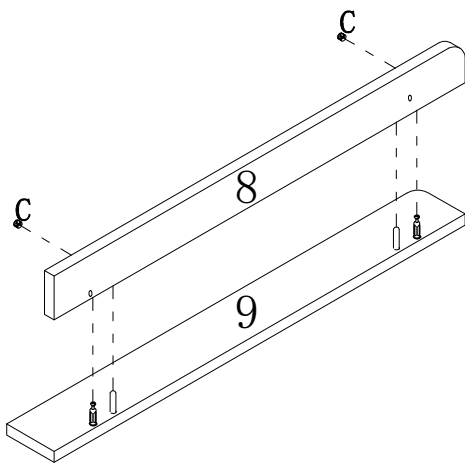
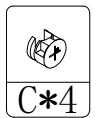
step 3



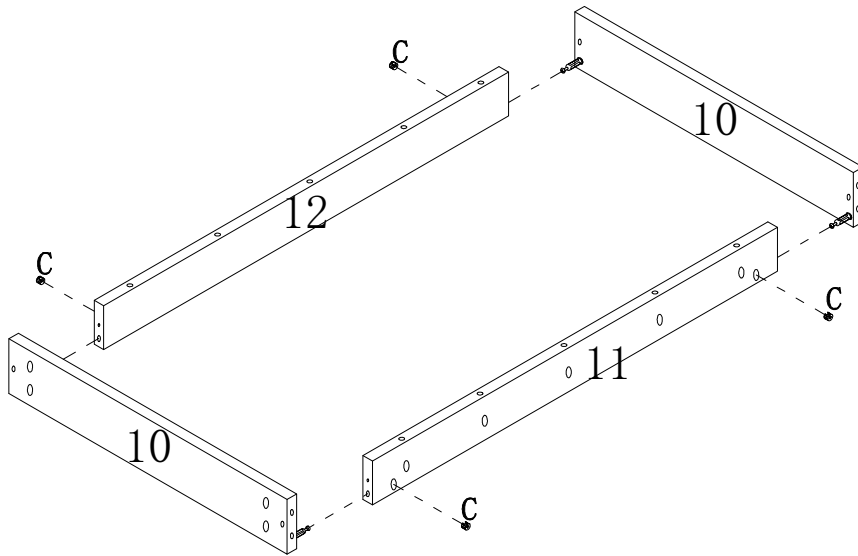
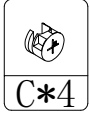
step 4



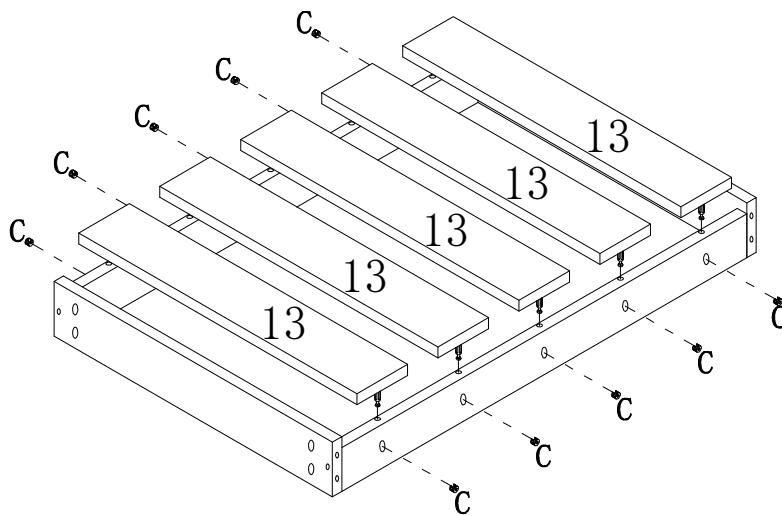
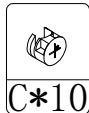
step 5



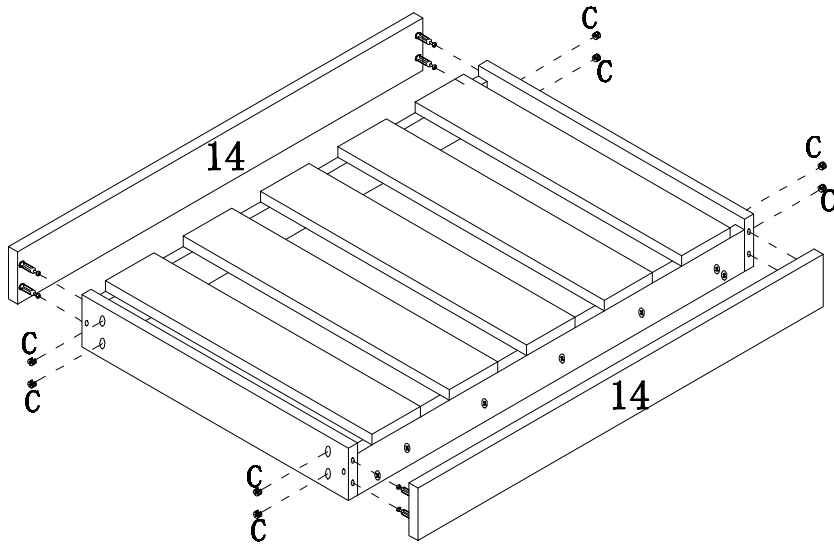
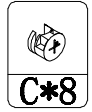
step 6



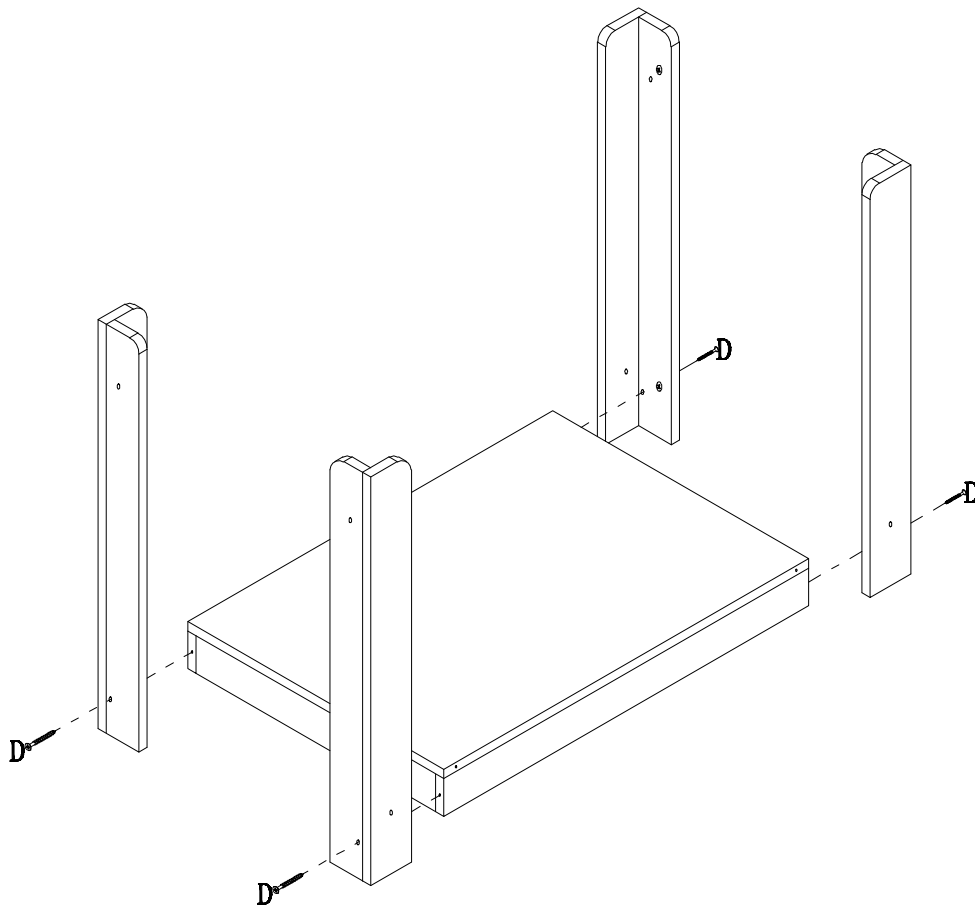
step 7



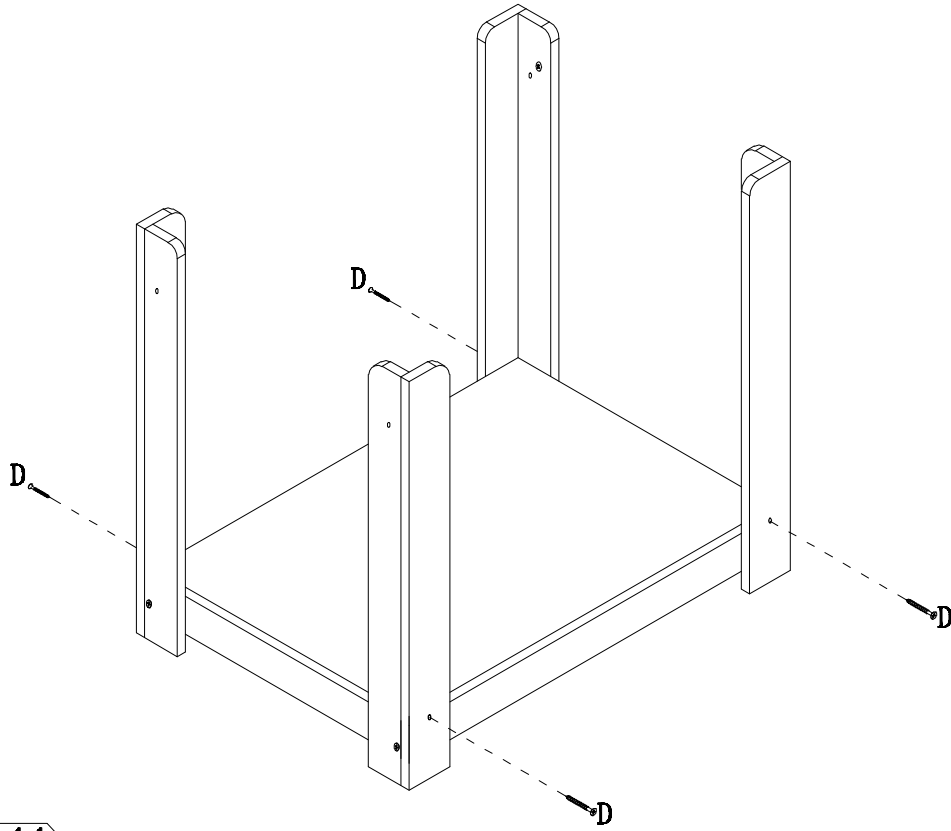
step 8



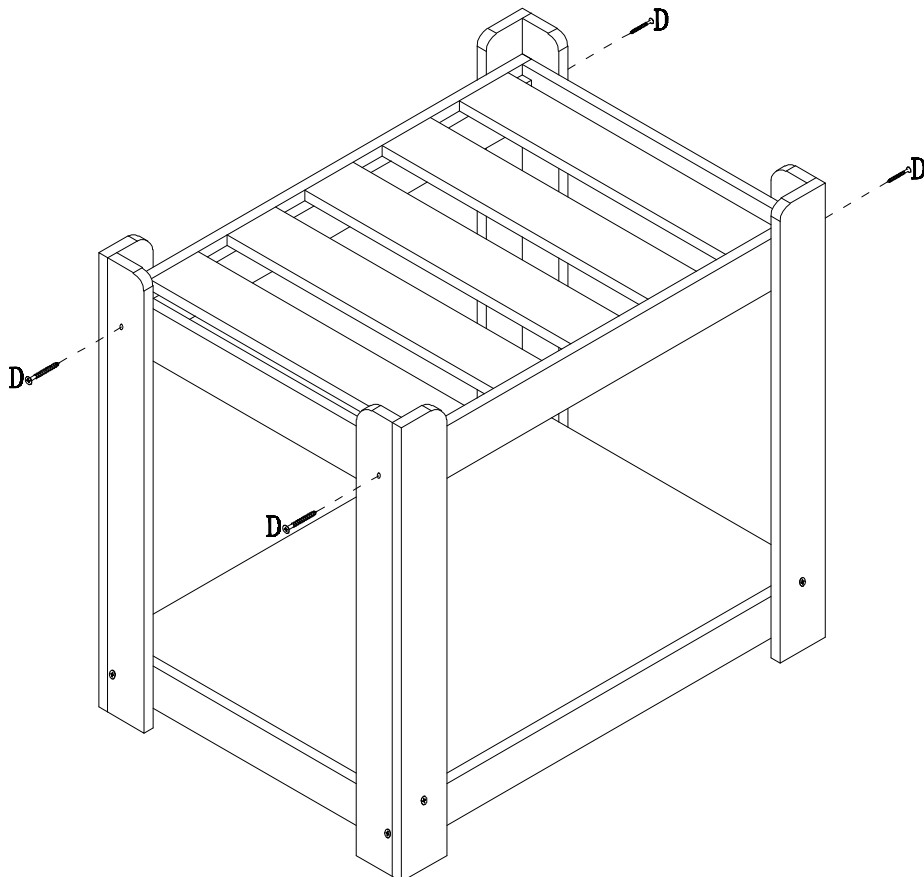
step 9



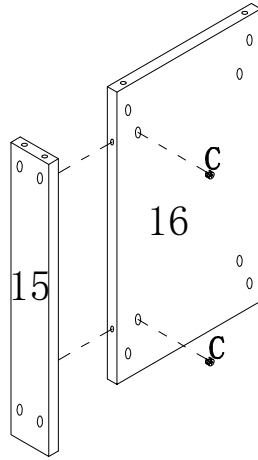
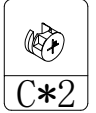
step 10



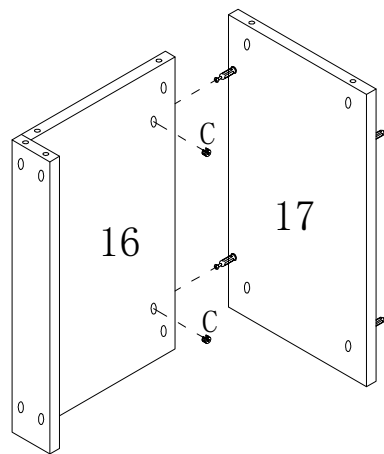
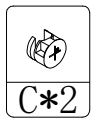
step 11



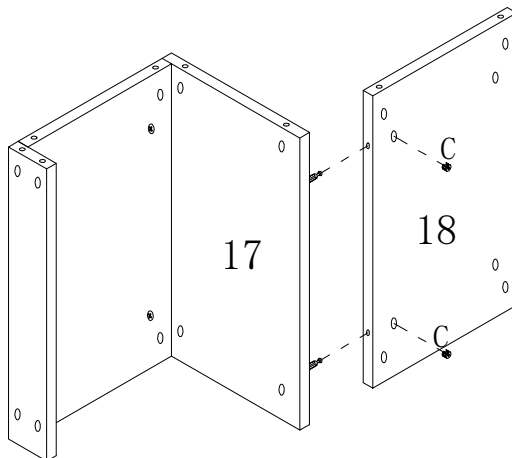
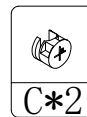
step 12



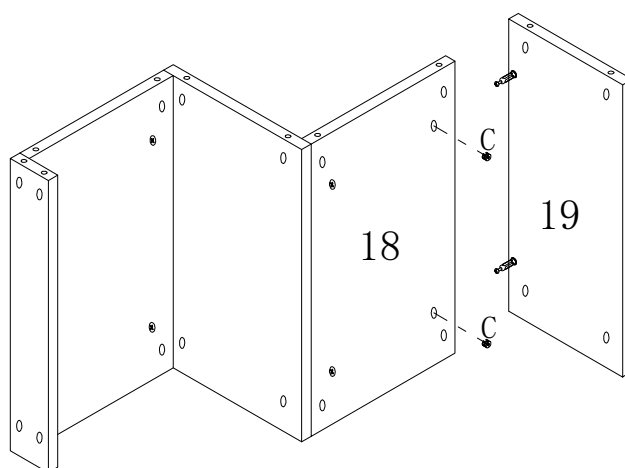
step 13



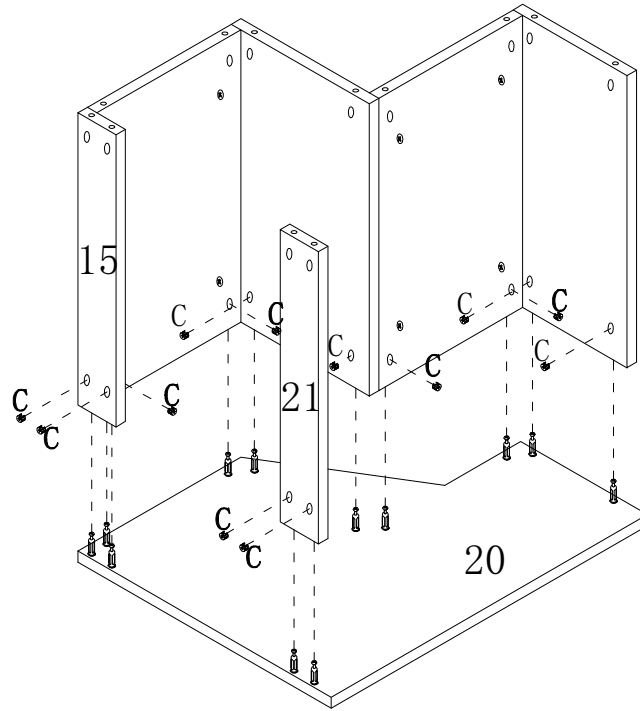
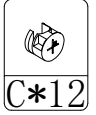
step 14



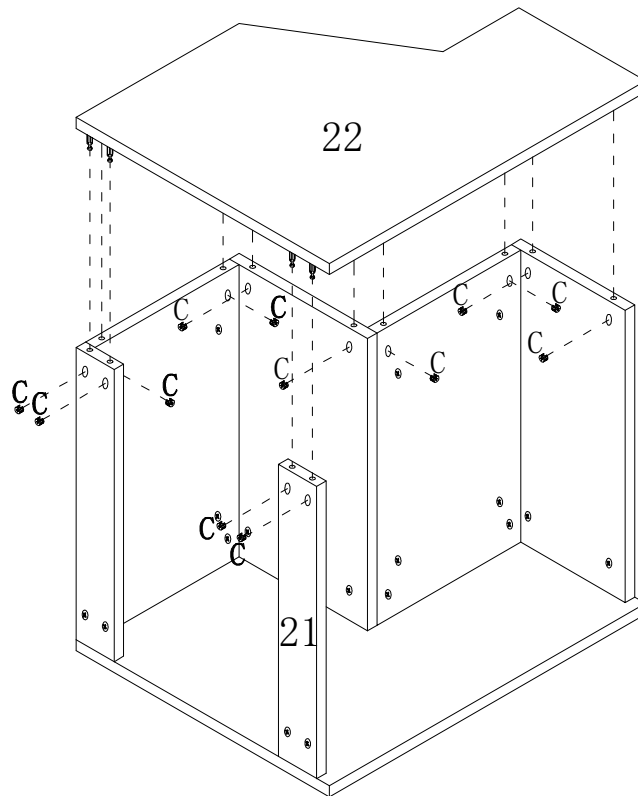
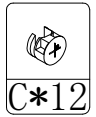
step 15



step 16



step 17



step 18

