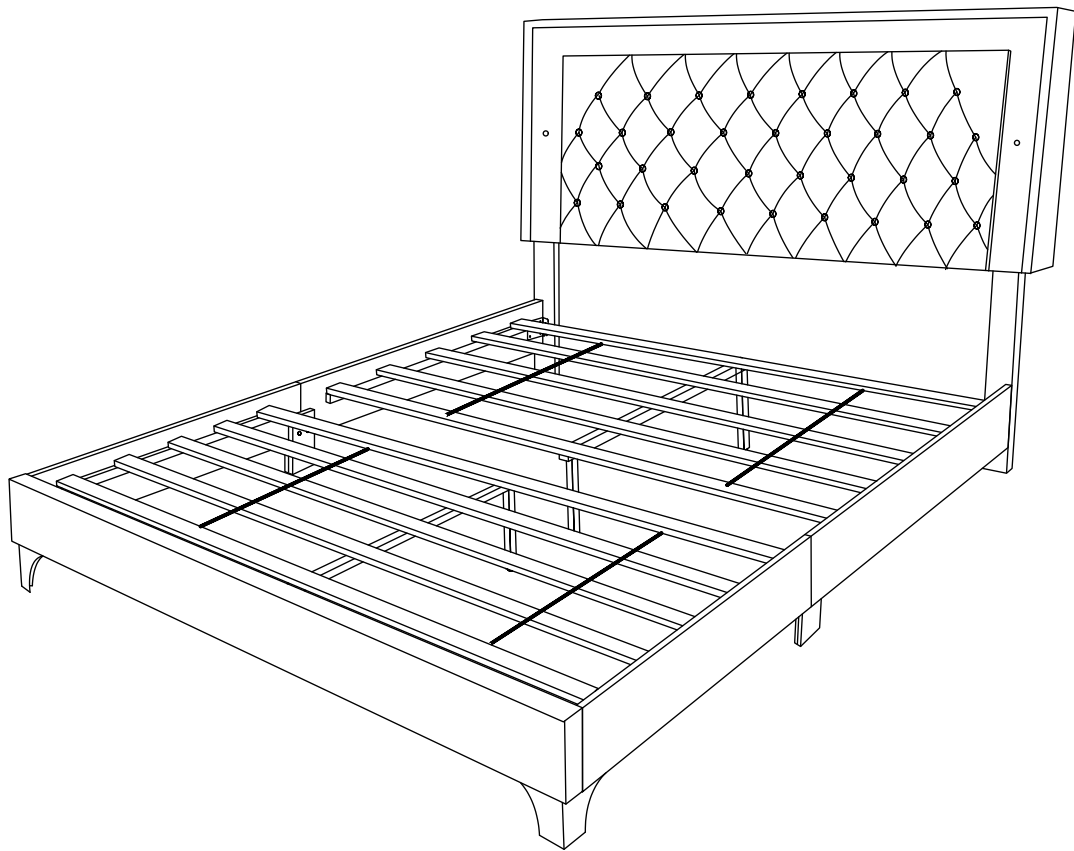
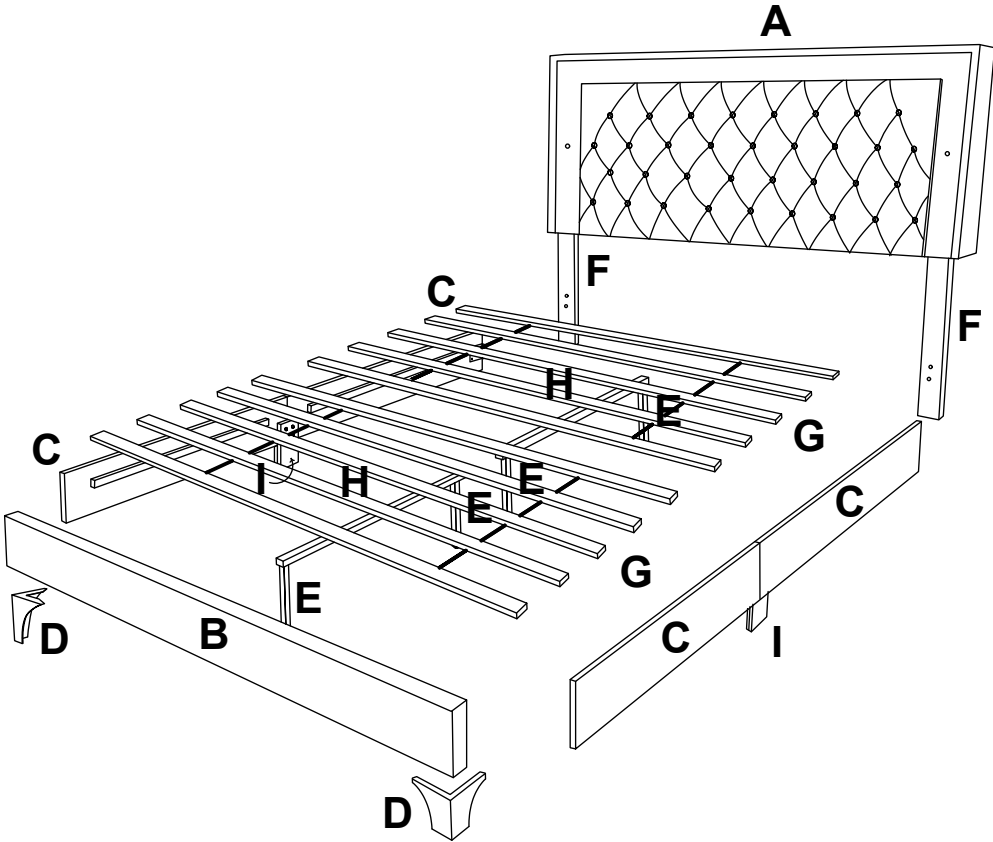


# ASSEMBLY INSTRUCTION

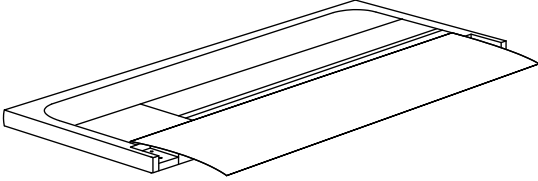
SKU CODE : WF307772

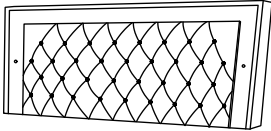
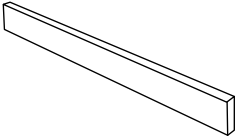
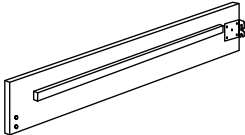
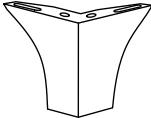
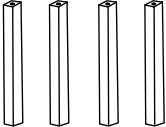
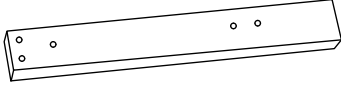
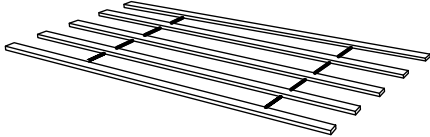
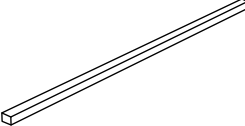
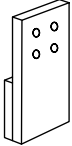


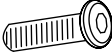
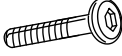
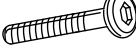
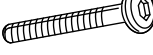

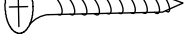





Detail View - QUEEN BED



Bed Parts are shipped inside a compartment  
in the back of the headboard.



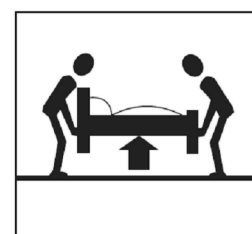
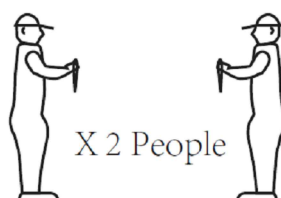
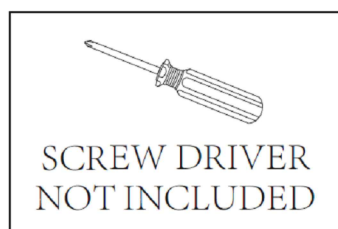
NO	PART LIST	QTY
A	Headboard 	1 pc
B	Footboard 	1 pc
C	Side Rail 	4 pcs
D	Bed Leg 	2 pcs
E	Center Support Leg 	4 pcs
F	Headboard Leg 	2 pcs
G	Bed Slat 	10 pcs
H	Center Support Rail 	2 pcs
I	Side Rail Leg 	2 pcs

NO	HARDWARE LIST	QTY
1	JCBB M8 x 20mm 	8 pcs
2	JCBC M6 x 25mm 	8 pcs
3	JCBC M6 x 45mm 	6 pcs
4	JCBC M6 x 60mm 	4 pcs
5	FLAT WASHER M6 	14 pcs
6	CSK M4 x 32mm 	20 pcs
7	CSK M4 x 16mm 	4 pcs
8	ADJUSTER M6 	4 pcs
9	ALLEN KEY M4 	1 pc
10	ALLEN KEY M5 	1 pc
11	ADAPTER 	1 pc

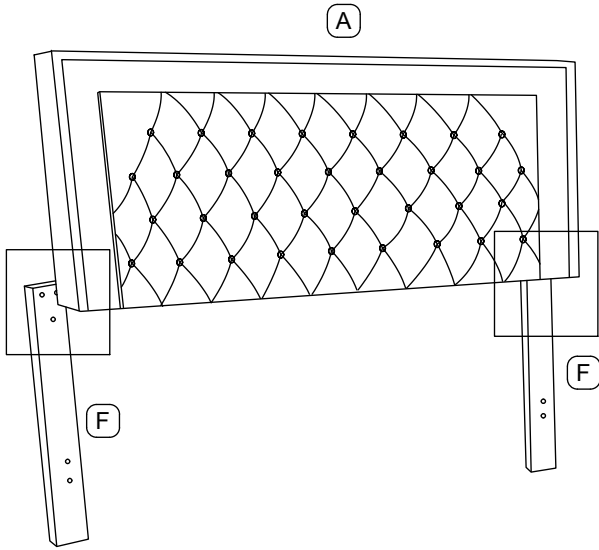
Read this instruction carefully. Remove all wrapping material, staples and straps from the carton. See hardware and furniture part list for guidance. Be sure you have all wooden furniture parts on a clean and flat surface, such as carpet or rug, to prevent from being scratched.

**CAUTION :**

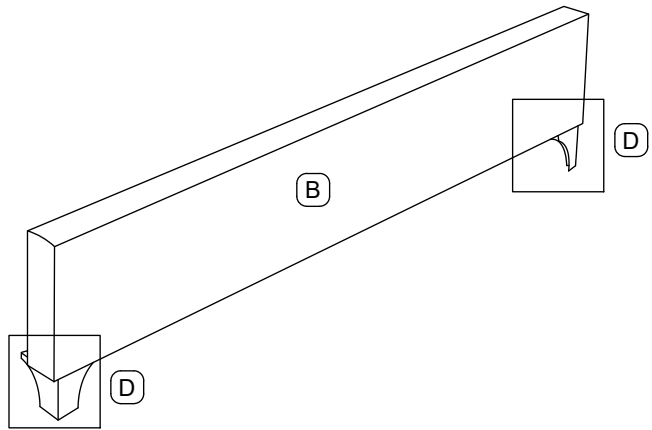
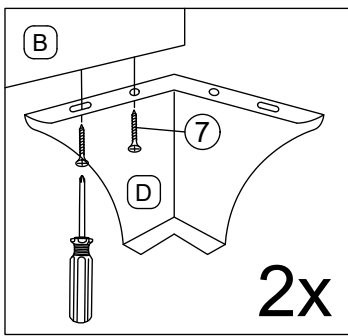
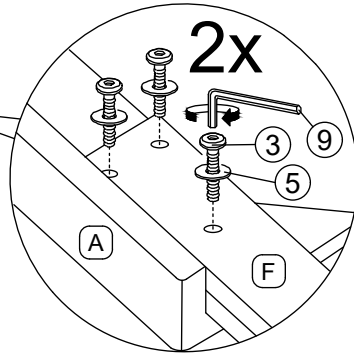
1. Do not Full Tighten the nut or screw until all ready to assemble.
2. Do not Over Tighten the nut or screw to avoid causing damages to the thread.
3. Keep all hardware part out reach of children.



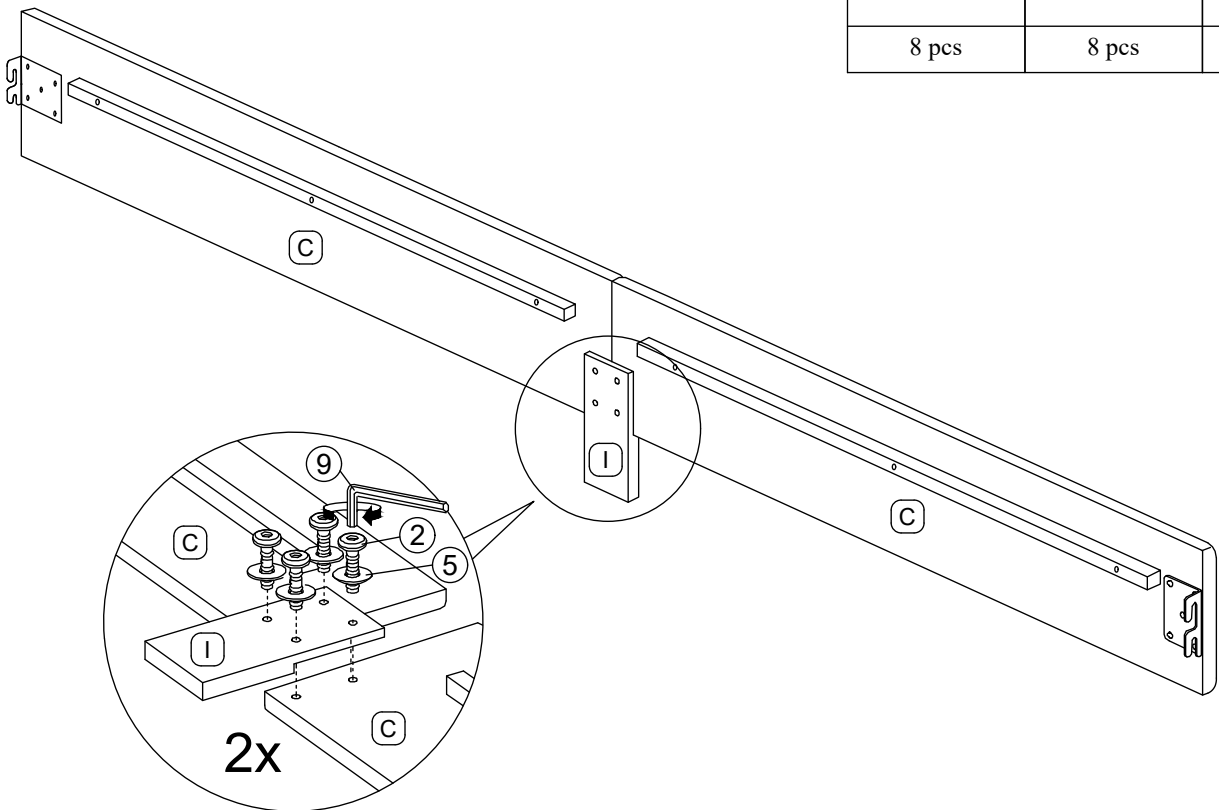
**STEP 1**



3	5	7	9
6 pcs	6 pcs	4 pcs	1 pc

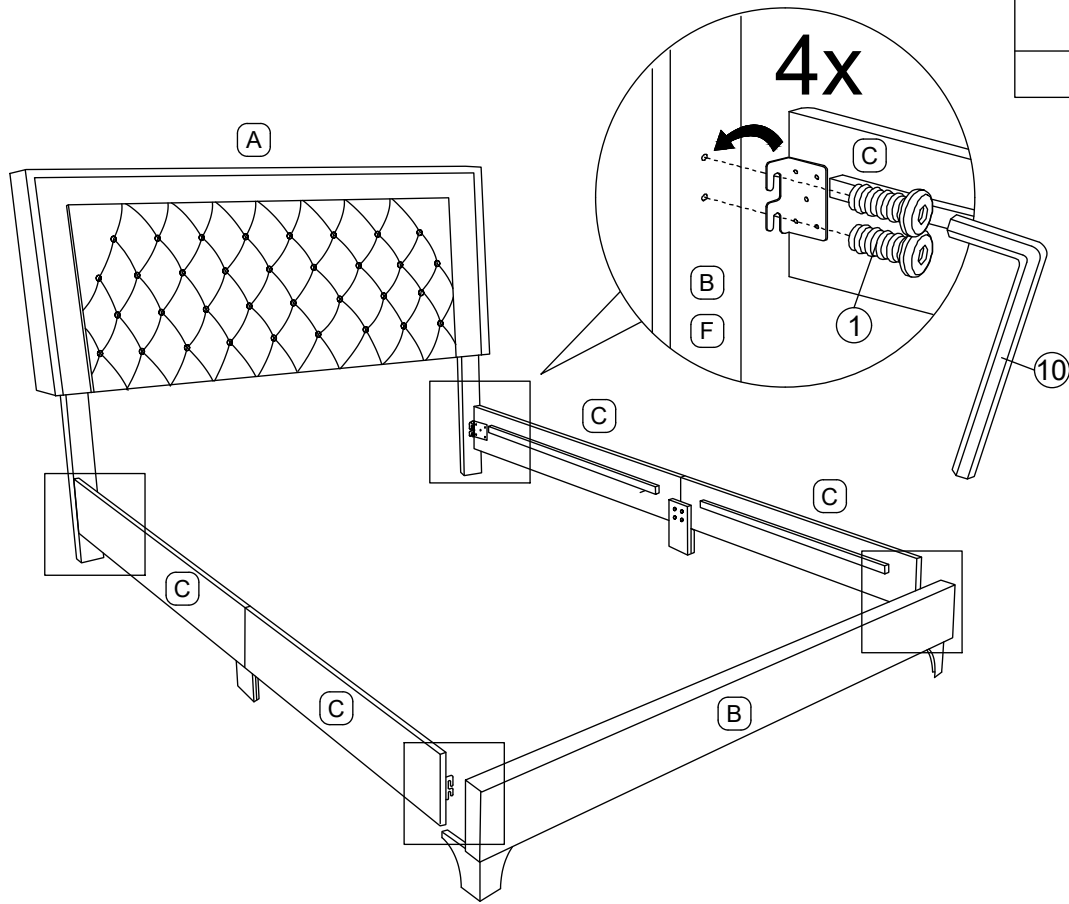




**STEP 2**



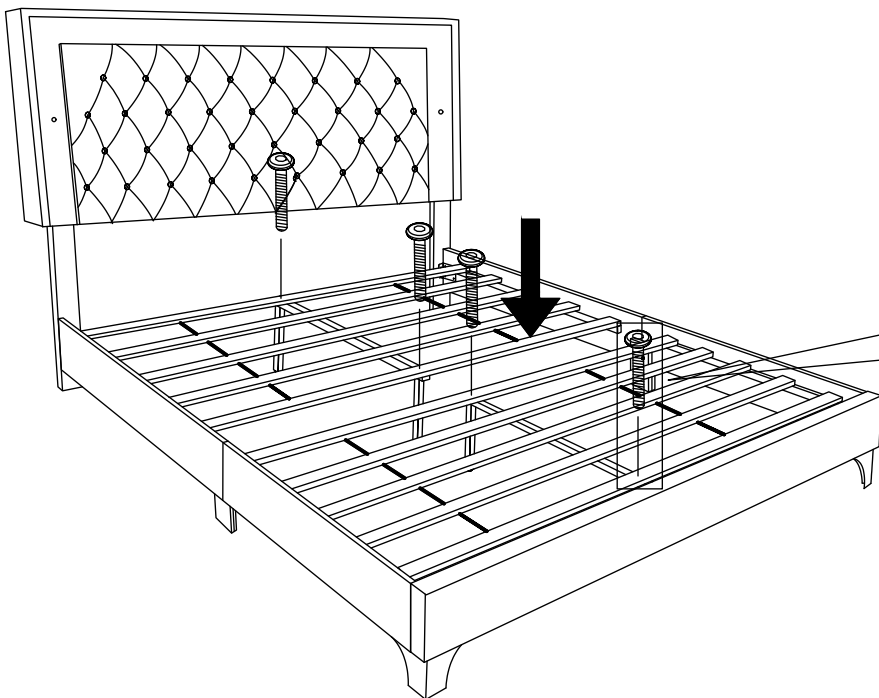
2	5	9
8 pcs	8 pcs	1 pc




STEP 3

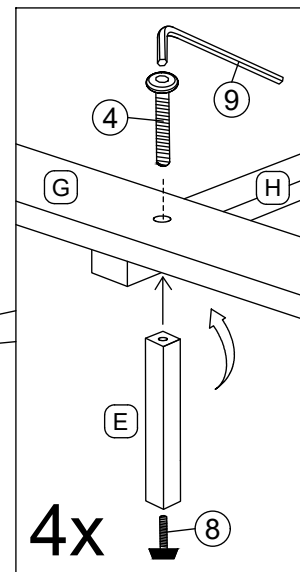


1	10
	
8 pcs	1 pc

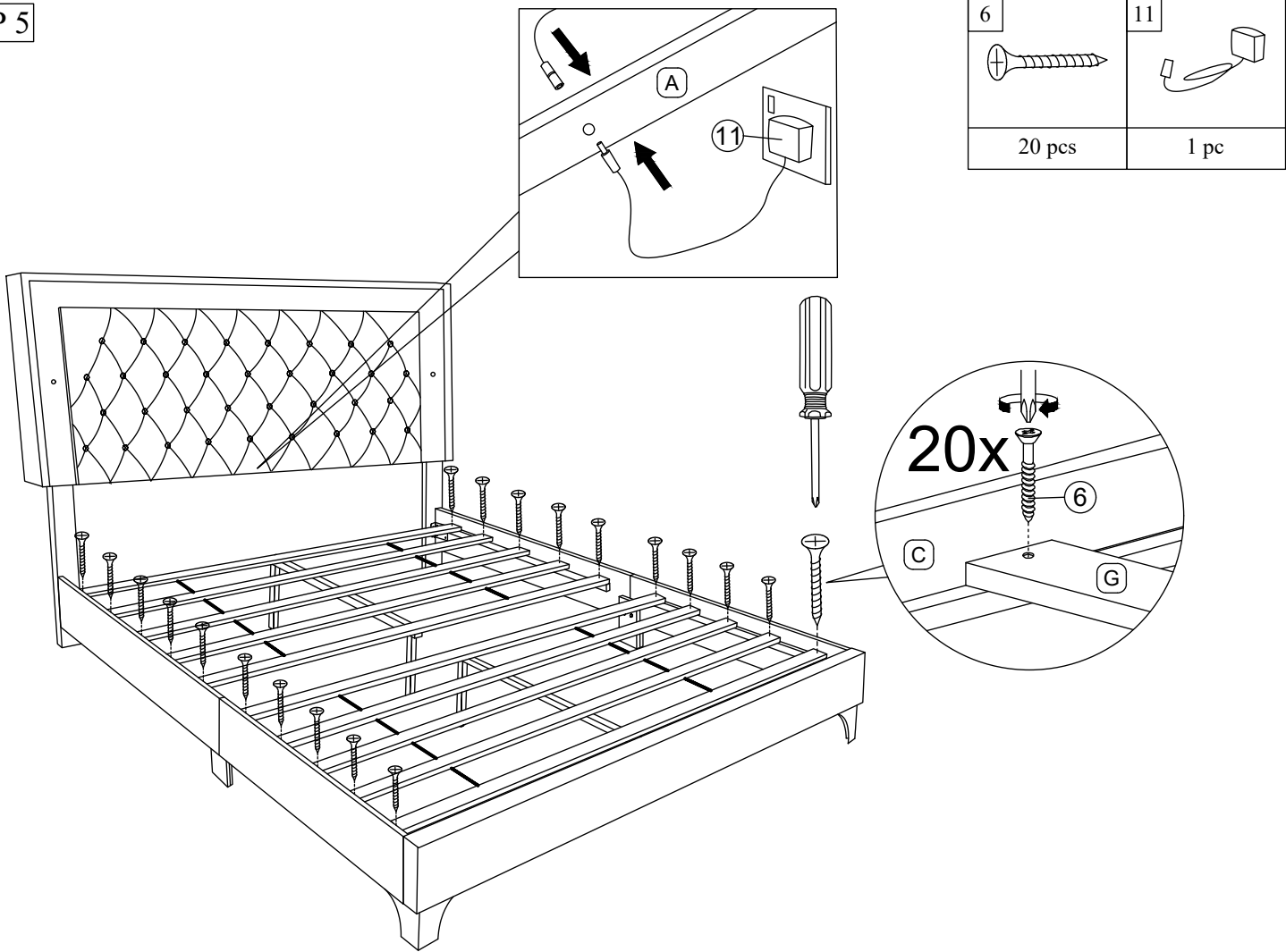
STEP 4



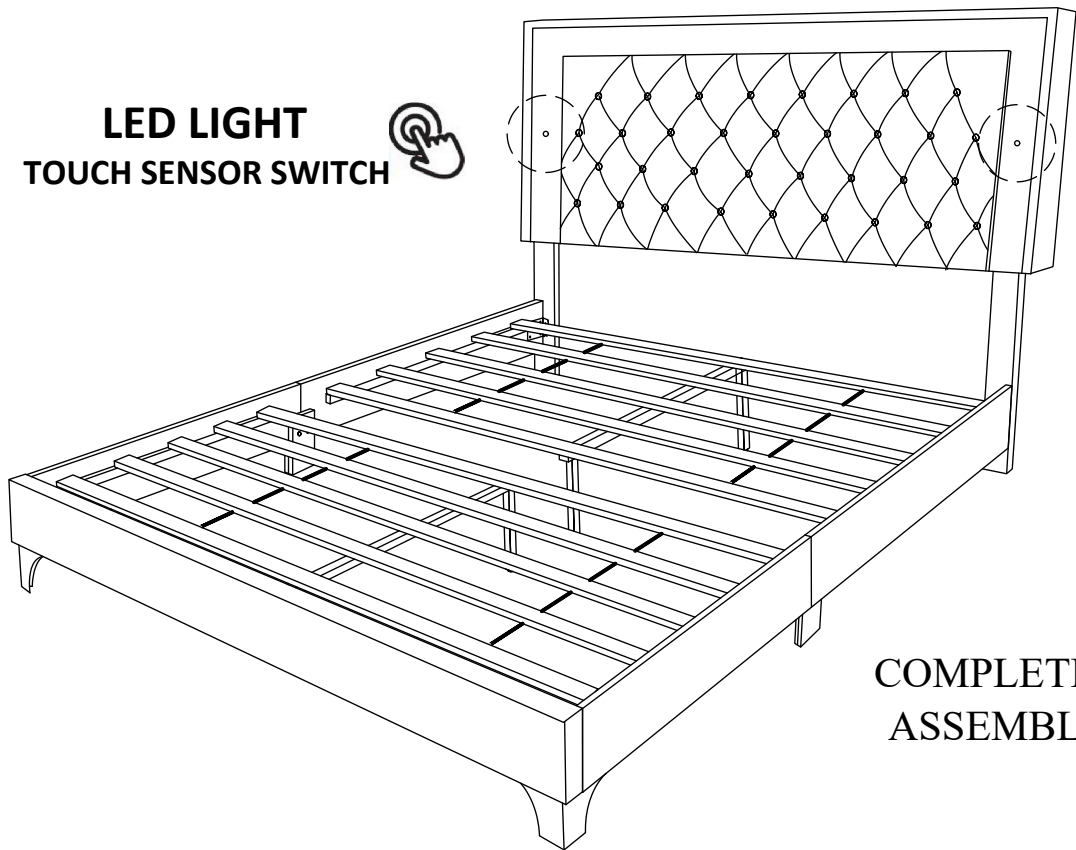
4	8	9
		
4 pcs	4 pcs	1 pc



**STEP 5**



**LED LIGHT  
TOUCH SENSOR SWITCH**



**COMPLETED  
ASSEMBLY**