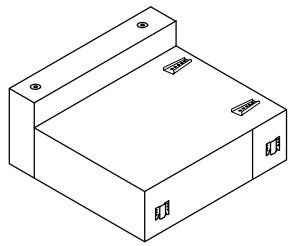
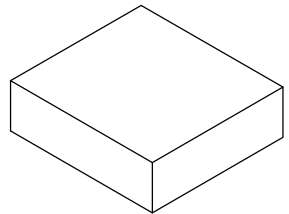


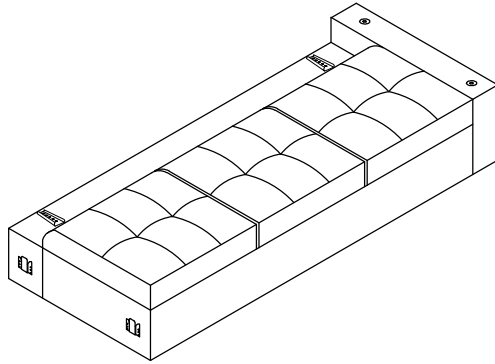
# Assembly Instruction



B.1PC



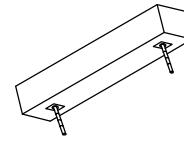
C.1PC



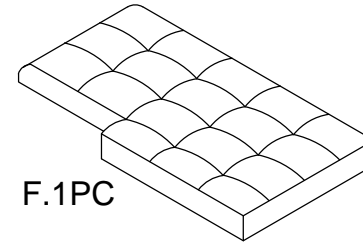
A.1PC



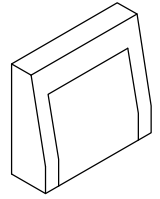
D.12PCS



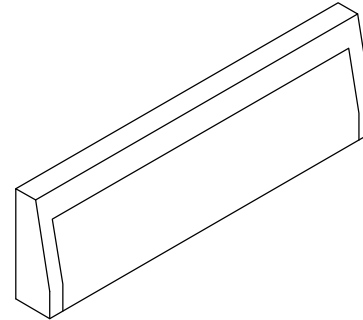
E.2PCS



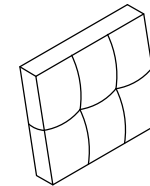
F.1PC



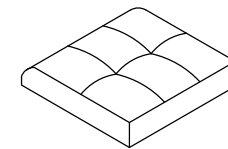
G.1PC



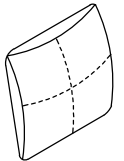
H.1PC



I.4PCS

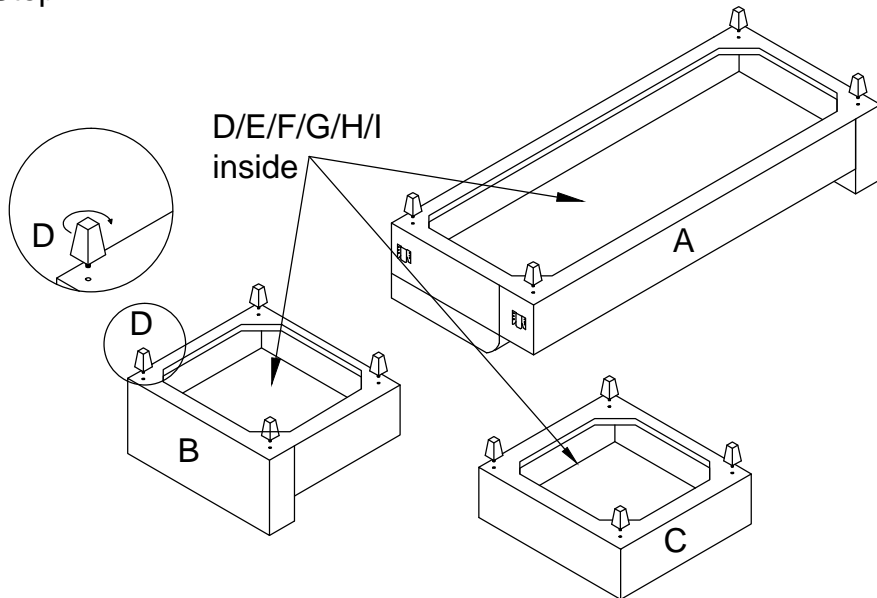


J.3PCS

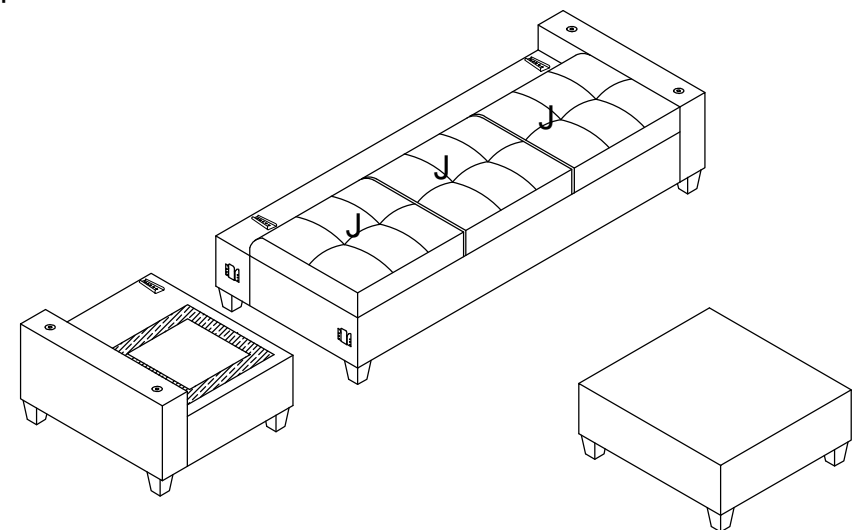


K.2PCS

Step:1

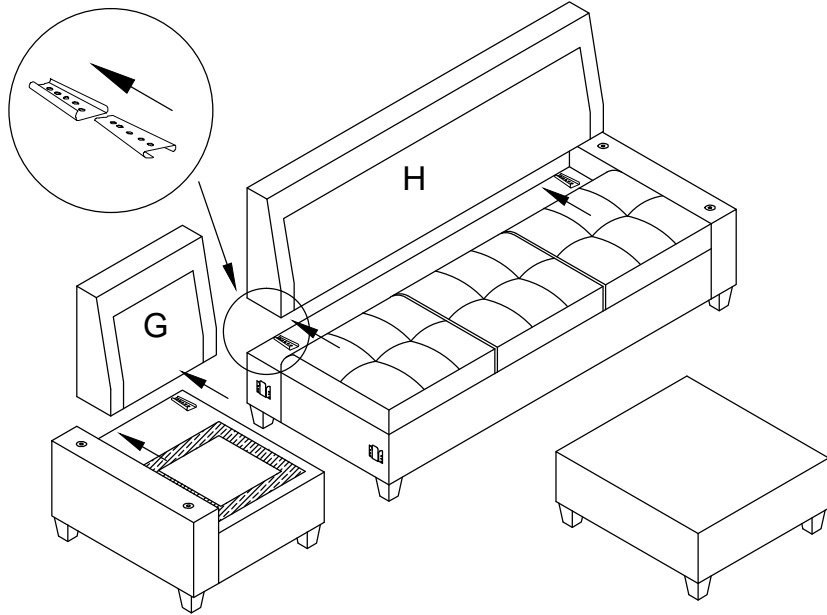


Step:2

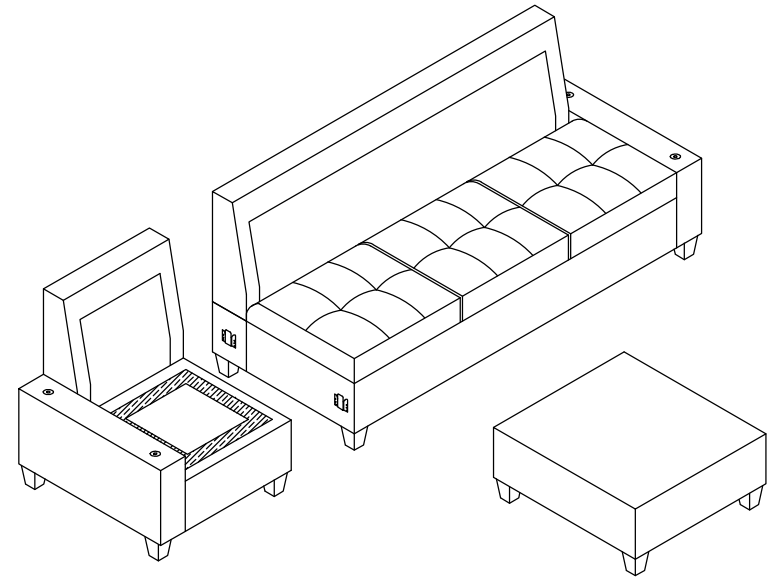


# Assembly Instruction

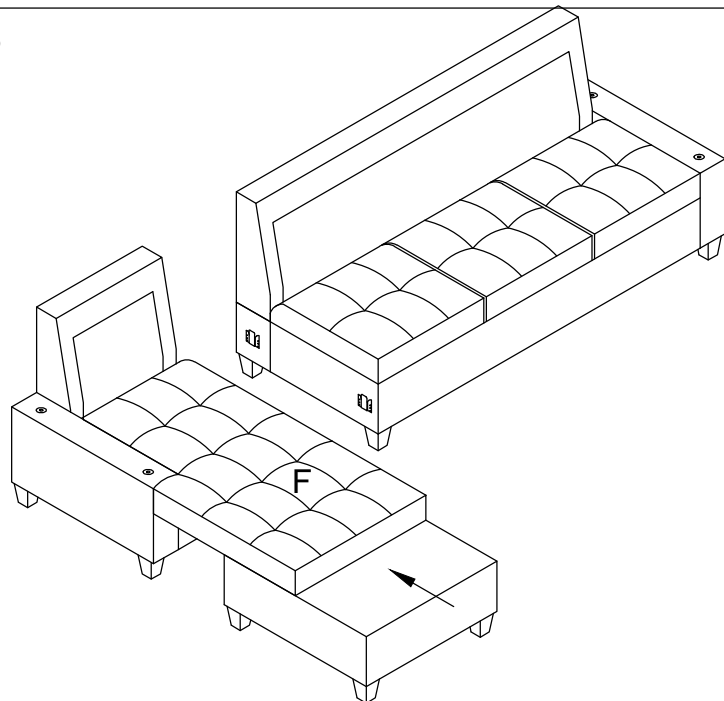
Step:3



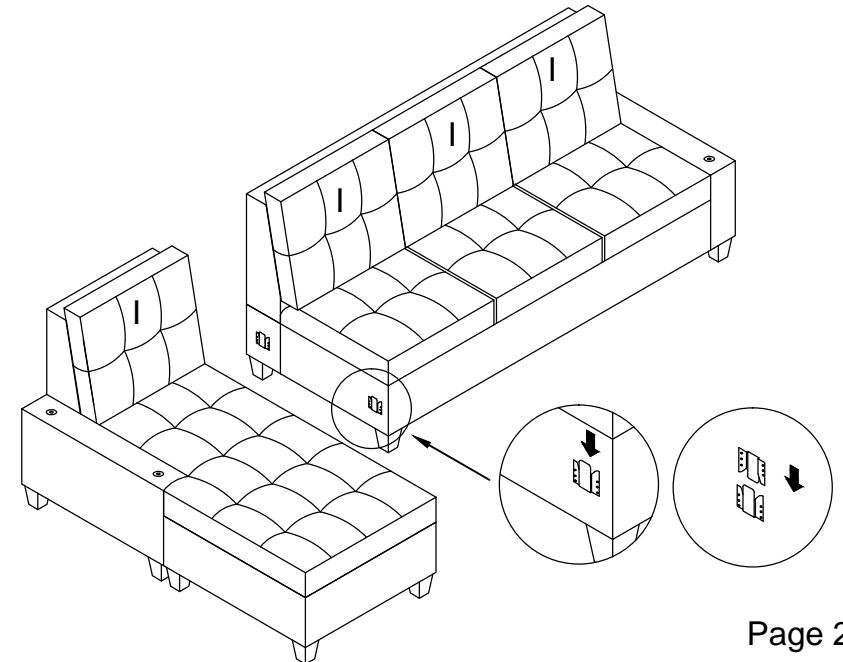
Step:4



Step:5

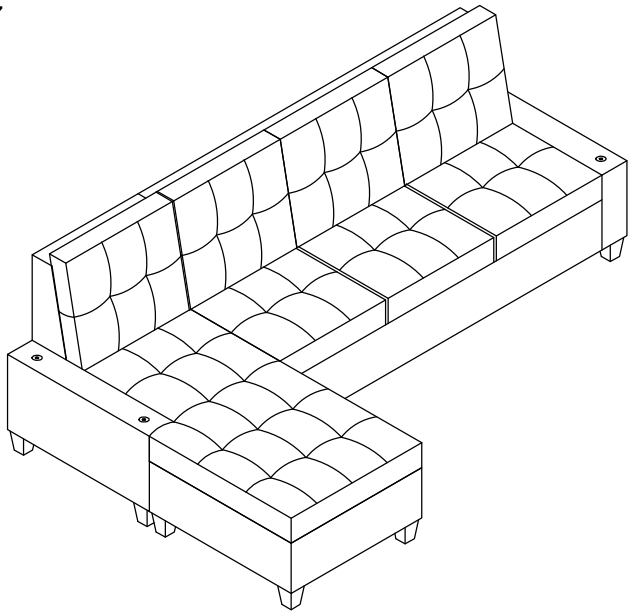


Step:6



# Assembly Instruction

Step:7



Step:8

