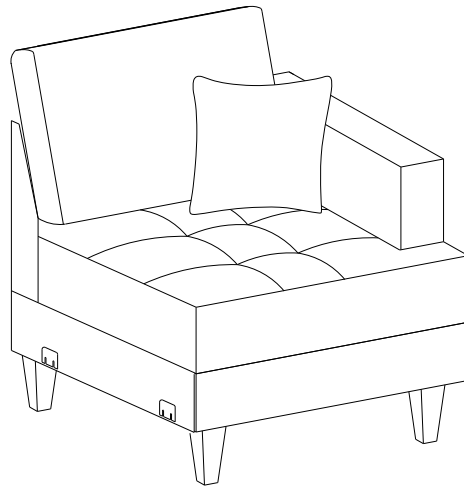


ASSEMBLY INSTRUCTION

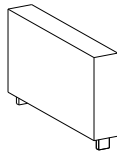
ITEM NO.: 89114-S1



PARTS IDENTIFICATION

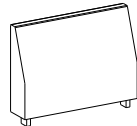
RAF SOFA WITH 1PC PILLOW

A ARM



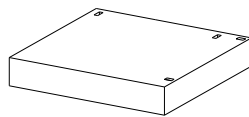
1PC

B BACKREST



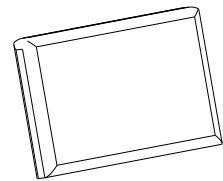
1PC

C SEAT BODY



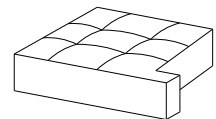
1PC

D BACK CUSHION



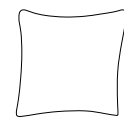
1PC

E SEAT CUSHION



1PC

F PILLOW



1PC

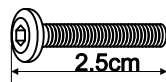
HARDWARE PACK

1 FLAT WASHER
(2MM-BLK)



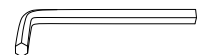
16PCS

2 BOLT
(25MM-BLK)



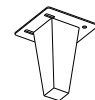
16PCS

3 HEXAGON
WRENCH
(75MM-BLK)



1PC

4 LEG

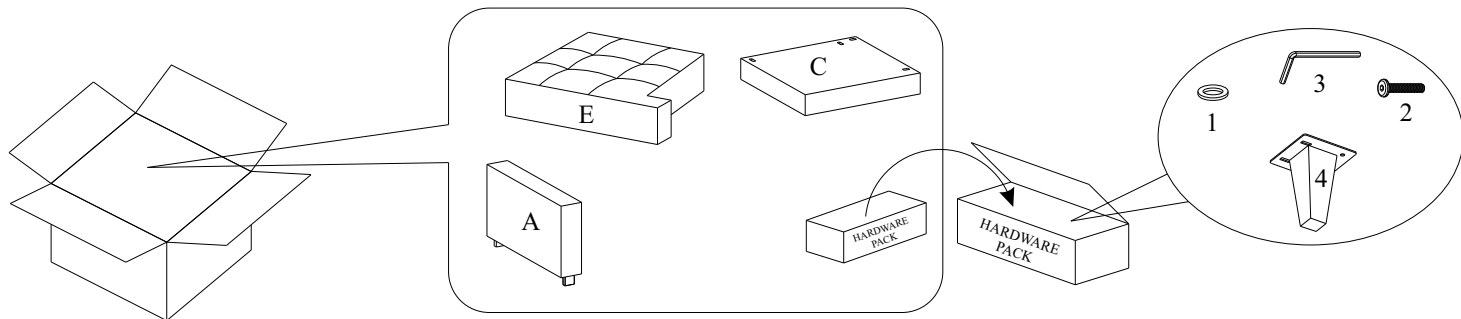


4PCS

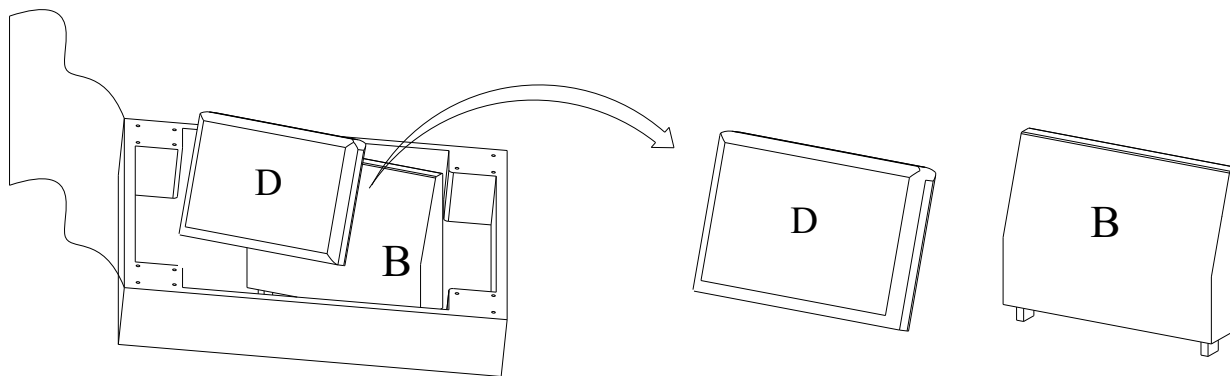
ASSEMBLY INSTRUCTION

ITEM NO.: 89114-S1

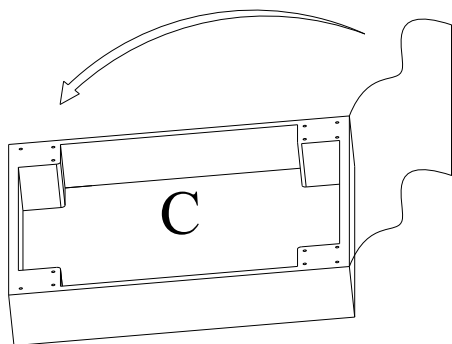
STEP 1: Remove all Parts from box.



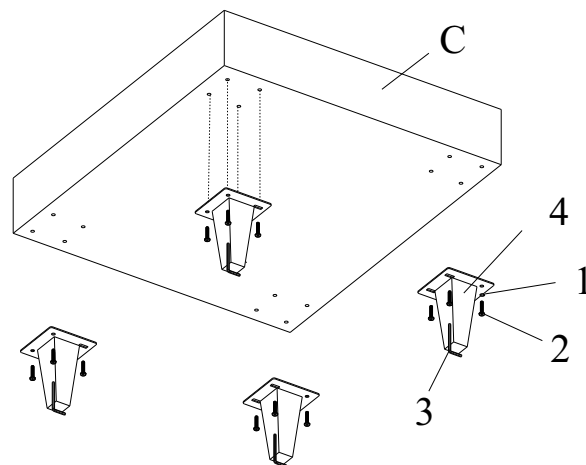
STEP 2: Remove Back Cushion (D) and Backrest (B) from Seat Body (C).



STEP 3: Paste the cover under the Seat Body (C) before doing the next step.



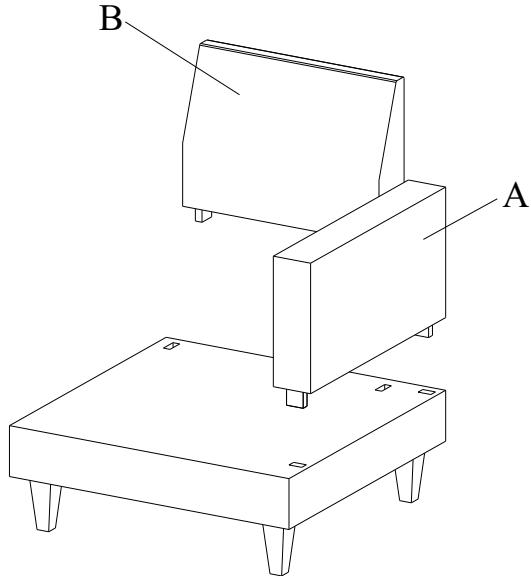
STEP 4: Attach Legs (4) to the Seat Body (C).



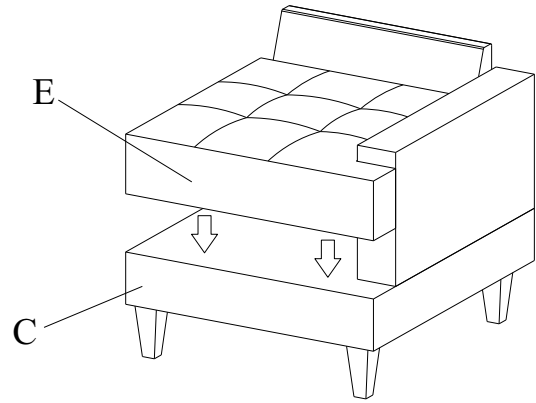
ASSEMBLY INSTRUCTION

ITEM NO.: 89114-S1

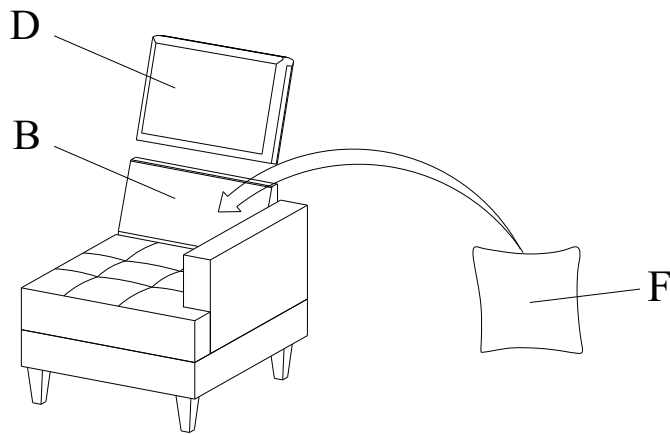
STEP 5: Attach Backrest (B) and Arm (A) to the Seat Body (C)



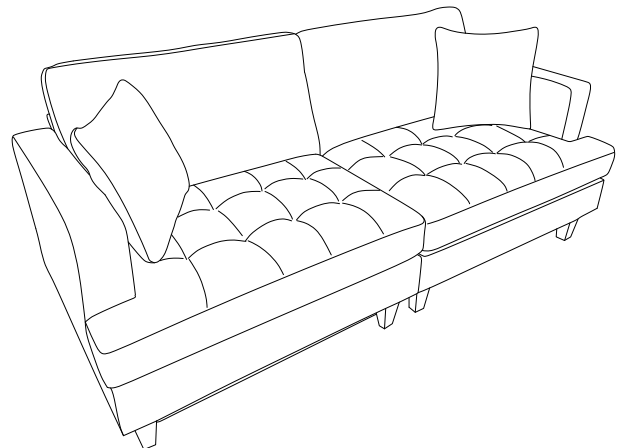
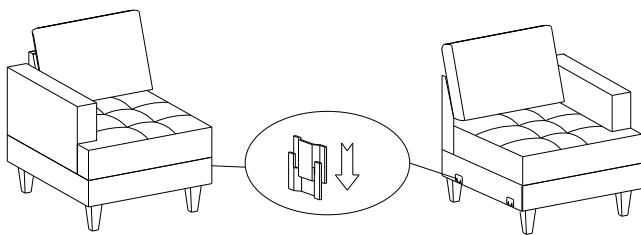
STEP 6: Put Seat Cushion (E) above the Seat Body (C)



STEP 7: Put the Back Cushion (D) and Pillow (F) in front of the Backrest (B)

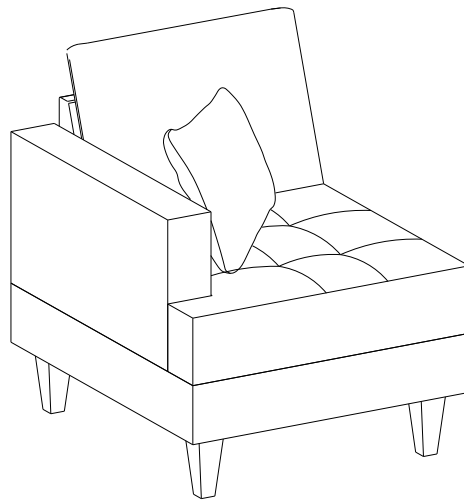


FINAL STEP: Attach LAF Sofa to RAF Sofa



ASSEMBLY INSTRUCTION

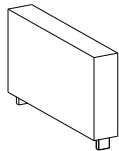
ITEM NO.: 89114-S2



PARTS IDENTIFICATION

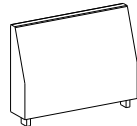
LAF SOFA WITH 1PC PILLOW

A ARM



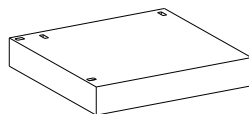
1PC

B BACKREST



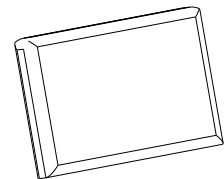
1PC

C SEAT BODY



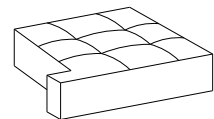
1PC

D BACK CUSHION



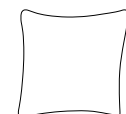
1PC

E SEAT CUSHION



1PC

F PILLOW



1PC

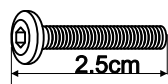
HARDWARE PACK

1 FLAT WASHER
(2MM-BLK)



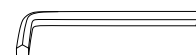
16PCS

2 BOLT
(25MM-BLK)



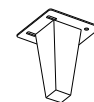
16PCS

3 HEXAGON
WRENCH
(75MM-BLK)



1PC

4 LEG

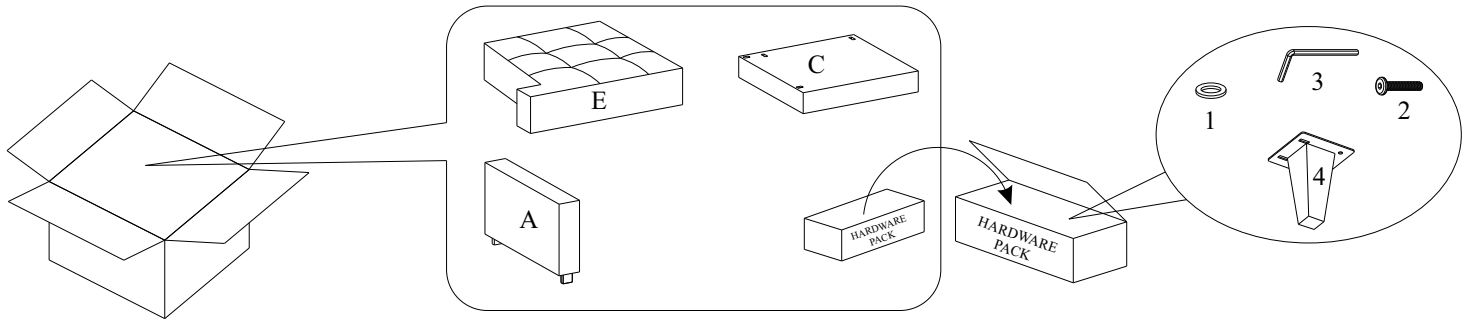


4PCS

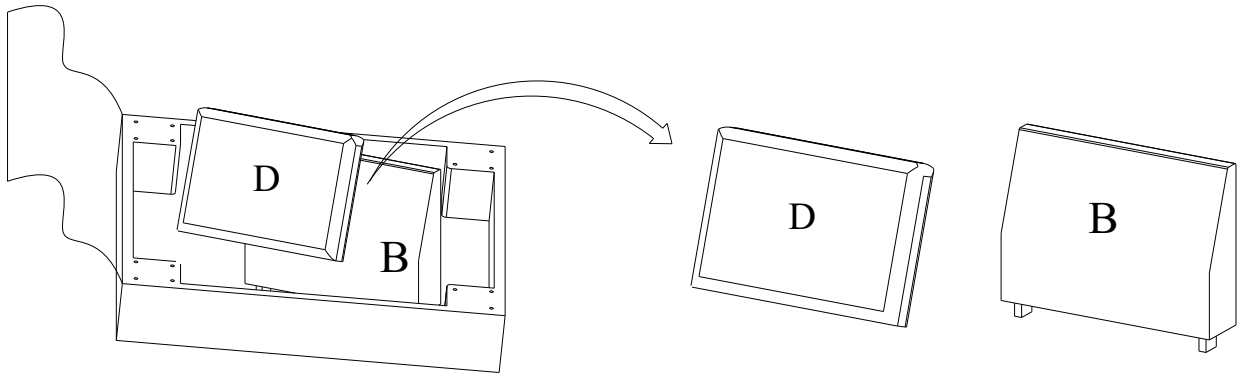
ASSEMBLY INSTRUCTION

ITEM NO.: 89114-S2

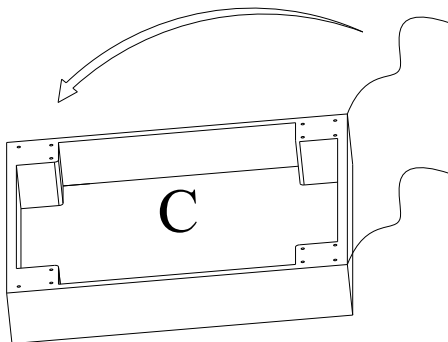
STEP 1: Remove all Parts from box.



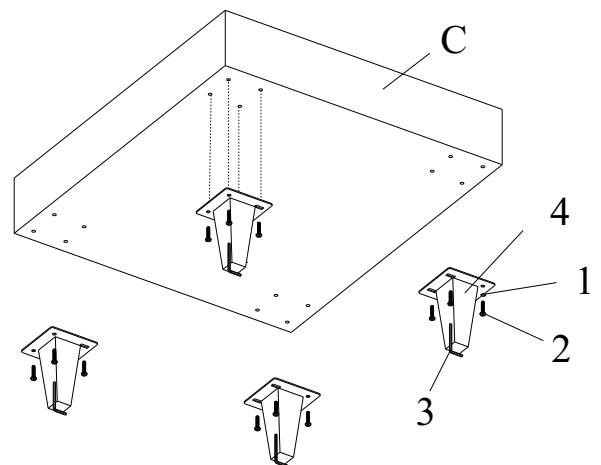
STEP 2: Remove Back Cushion (D) and Backrest (B) from Seat Body (C).



STEP 3: Paste the cover under the Seat Body (C) before doing the next step.



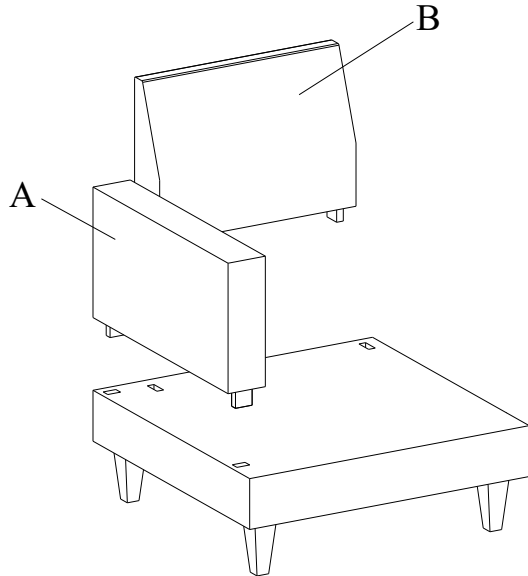
STEP 4: Attach Legs (4) to the Seat Body (C).



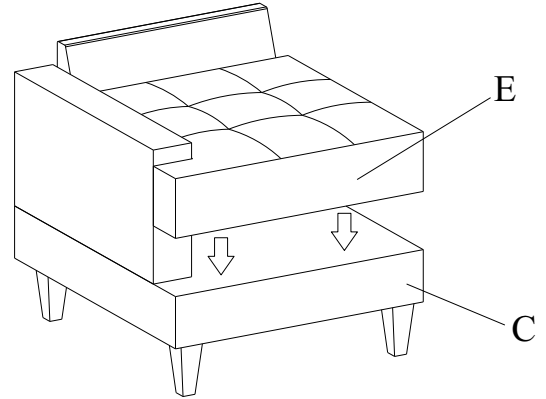
ASSEMBLY INSTRUCTION

ITEM NO.: 89114-S2

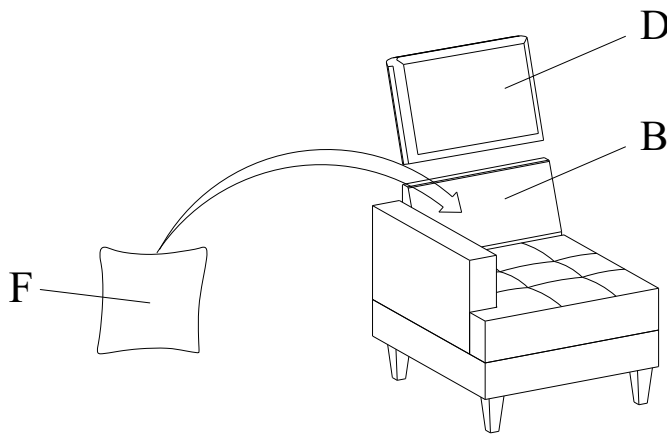
STEP 5: Attach Backrest (B) and Arm (A) to the Seat Body (C)



STEP 6: Put Seat Cushion (E) above the Seat Body (C)



STEP 7: Put the Back Cushion (D) and Pillow (F) in front of the Backrest (B)



FINAL STEP: Attach LAF Sofa to RAF Sofa

