

USER'S MANUAL
RATTAN CUSHION BOX
A0035-GYDG



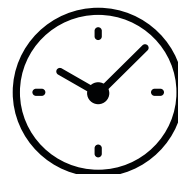
280 LBS
CHAIR
CAPACITY



110 LBS
TABLE
CAPACITY



1 PERSON
ASSEMBLY



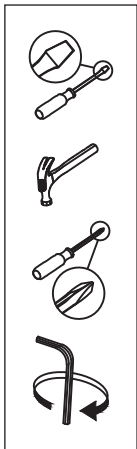
APPROXIMATELY
60 MIN.
ASSEMBLY

Contact Us!

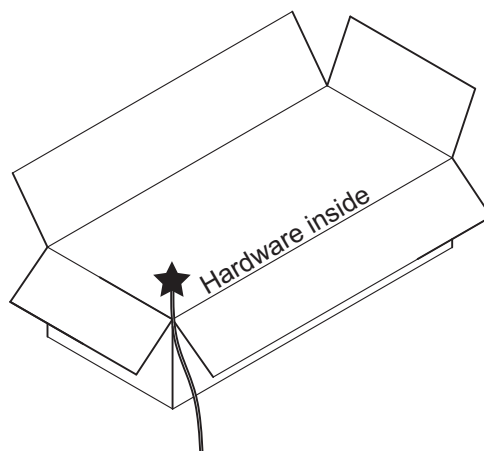
Need Help! Do NOT return this item.

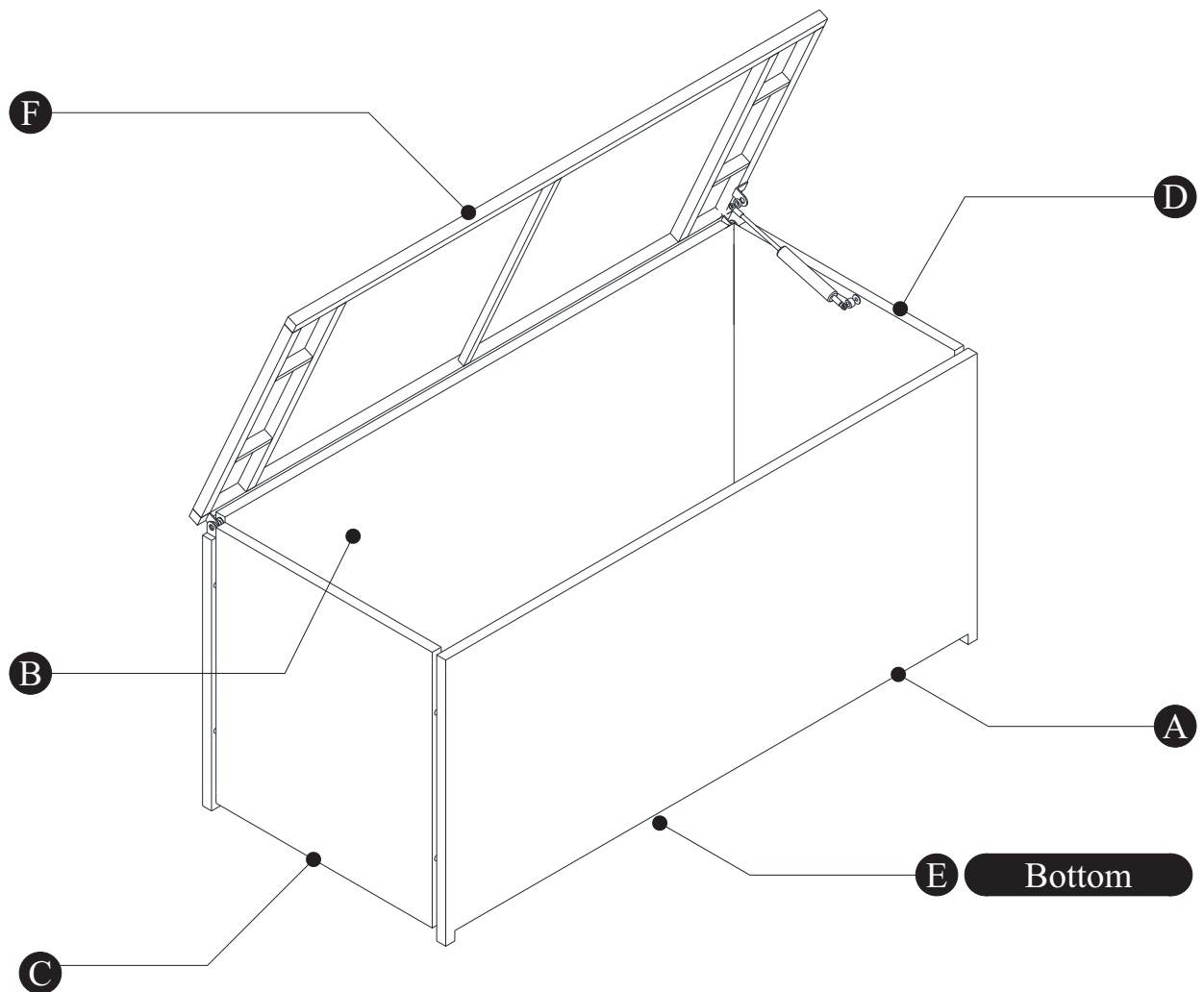
Contact our friendly customer service department for help first.

Before You Start



- Please do not exceed the weight limitation of each items
- Do not stand on or use any part of this item as step ladder
- Read each step carefully before starting. It is very important to ensure each step followed in correct order, otherwise assembly difficulties may occur.
- Most of board parts are labeled or stamped on the raw edges. Have a check to make sure all parts are included.
- Work in a spacious area, preferably on a carpet close to where the unit will be used.
- Keep the handtools close at hand. Do not use power tools to assemble your furniture. They may scratch or damage the parts.
- Manufacturer and seller expressly disclaim any and all liability for personal injury, property damage or loss, whether direct, indirect, or incidental, resulting from incorrect attachment, improper use, inadequate maintenance, or neglect of this product.
- To entitle refund, all return must in its original product packaging with all accessories are included. Pictures return may required as evidence and the responsibilities will pass to us untill the item has been received by our side. All returned fee under customer's expense.



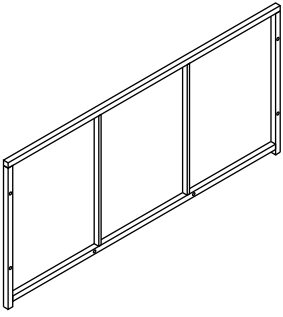


Notice:

1. 50% Tighten before fixing all screws, Allen wrench is recommended instead of an electric drill.
2. Place the item on a flat ground to adjust and make sure it remains stable.
3. Tighten up all screws with tools gradually.
4. If the screws are not aligned with holes during assembly, please loosen all the other screws to 50% and continue the assembly process.
5. If the item is not stable, please loosen all the screws, adjust it on a flat ground and tighten up all screws again.
6. Note : If one or some screws are fully tightened during assembly, chances are the others will not be aligned with holes. In addition, all the holes are designed to be relatively larger to provide more space for the adjustment of the screws.

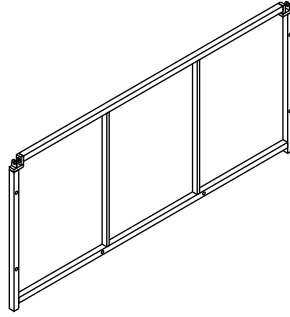
Part List & Hardware

A



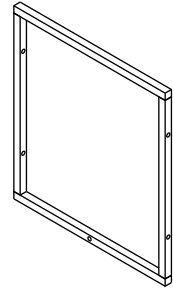
Front frame (1 pc)

B



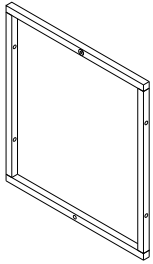
Behind frame (1 pc)

C



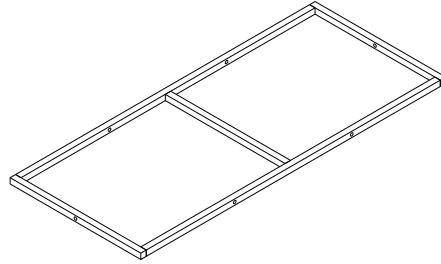
Right frame (1 pc)

D



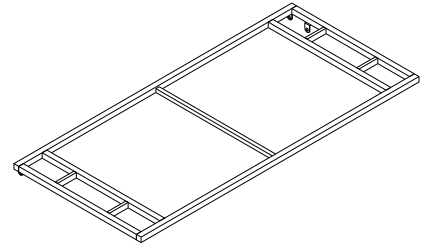
Left frame (1 pc)

E



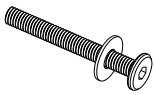
Bottom frame (1 pc)

F



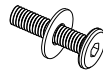
Corver frame (1 pc)

1



Bolt M6x60mm (14 pcs)

2



Bolt M6x30mm (3 pcs)

3



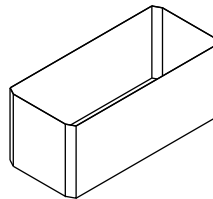
Nut M6 (15 pcs)

4



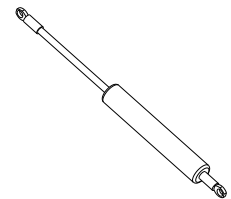
Bolt M6x20mm (1 pc)

5



Fabric (1 pc)

6



Gaslift (1 pc)

7



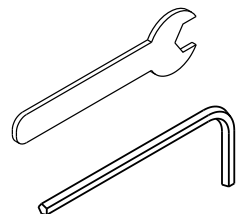
Plastic washer M8x2mm (5 pcs)

8



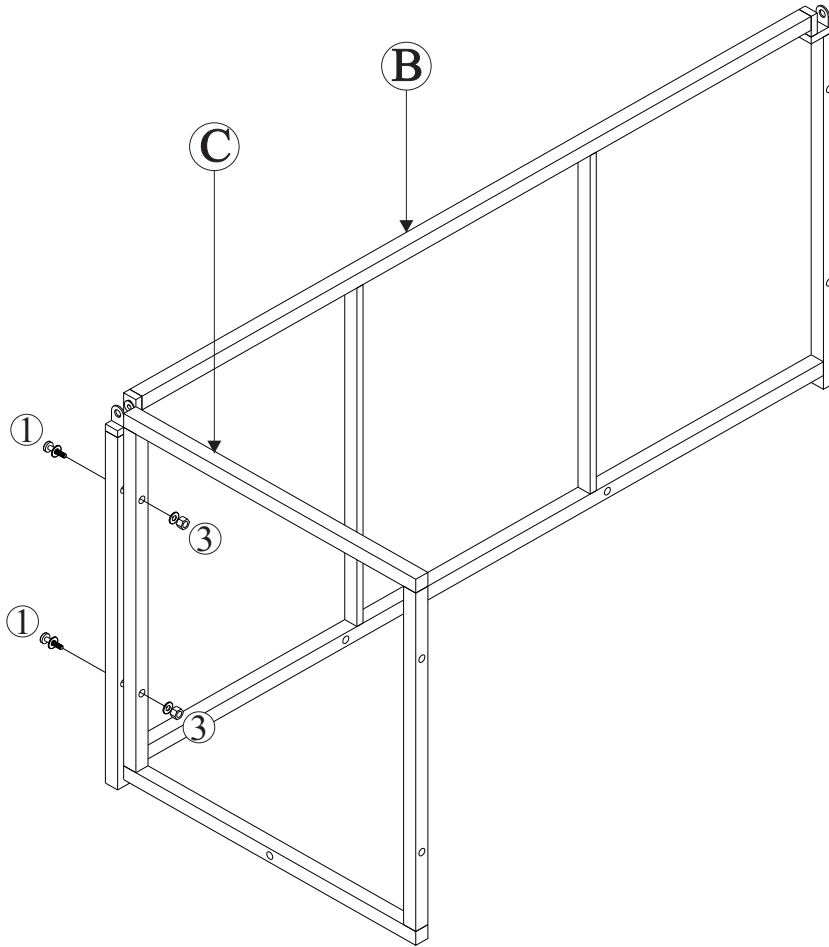
Plastic washer M8x10mm (1 pc)

9

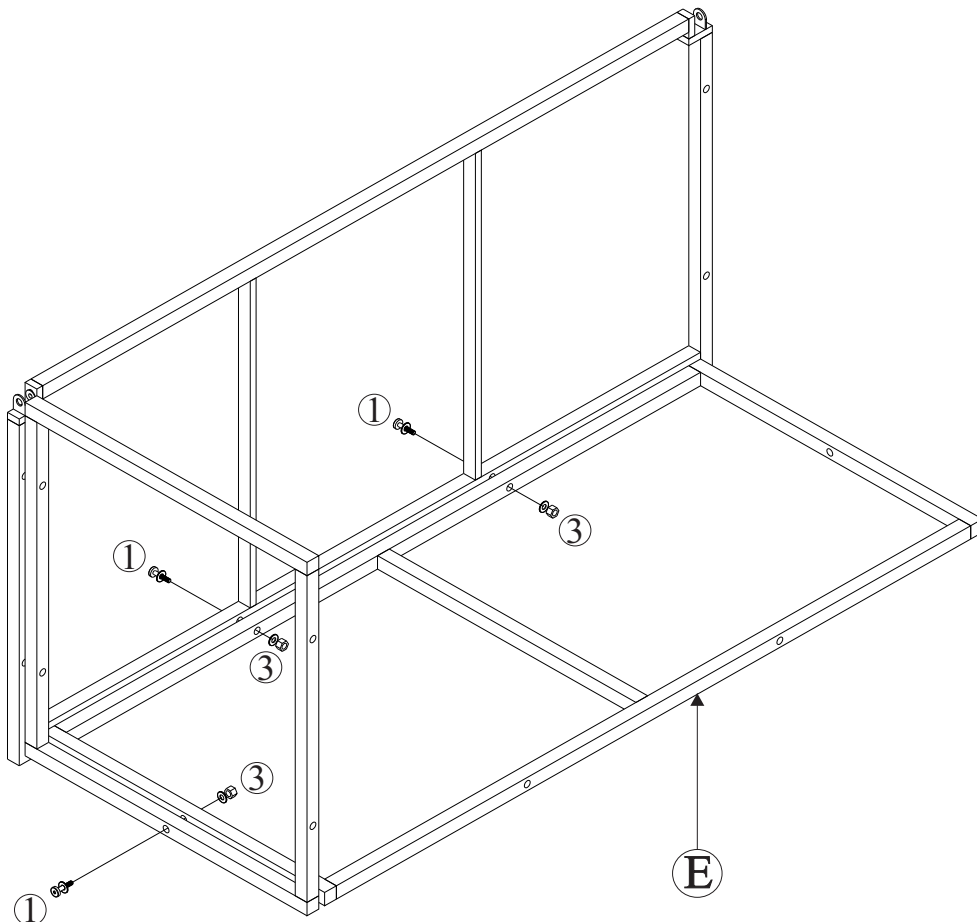


Allen key (1 pc)

STEP 1
Connect Behind Frame (B), Right Frame (C) with Bolt (1) & Nut M6 (3)

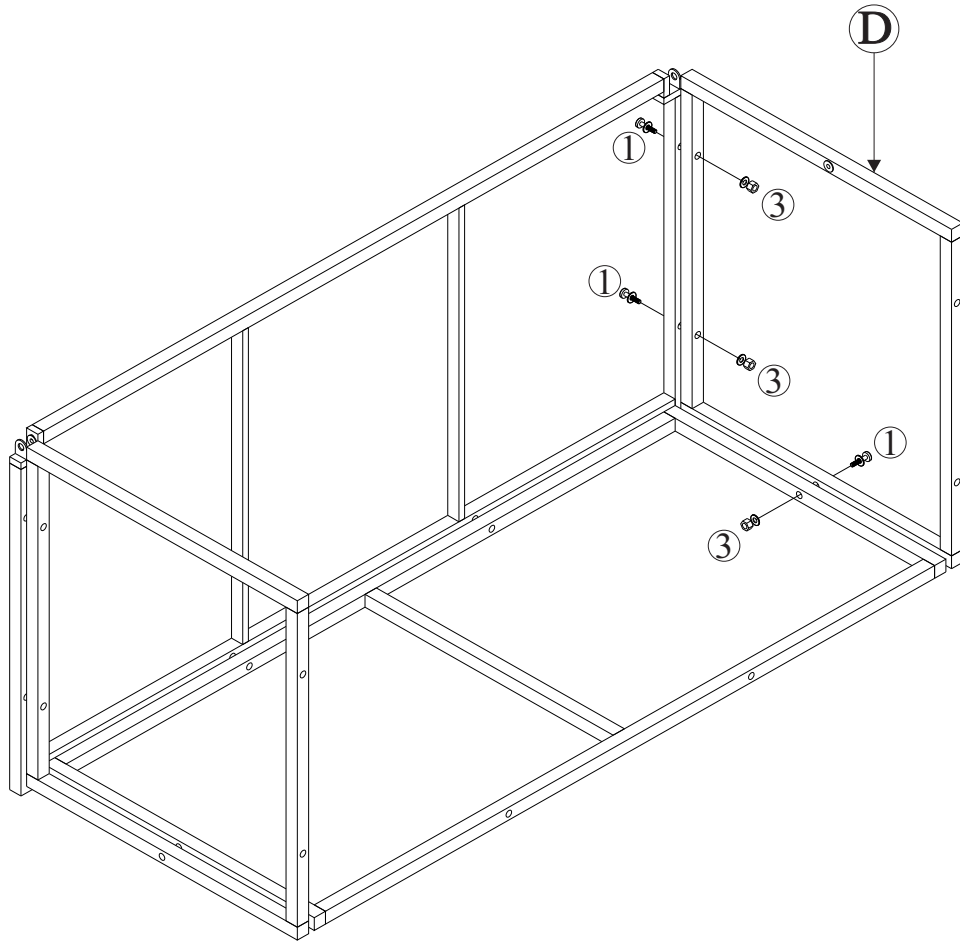


STEP 2
Connect part from STEP 1, Bottom Frame (E) with Bolt (1) & Nut M6 (3)



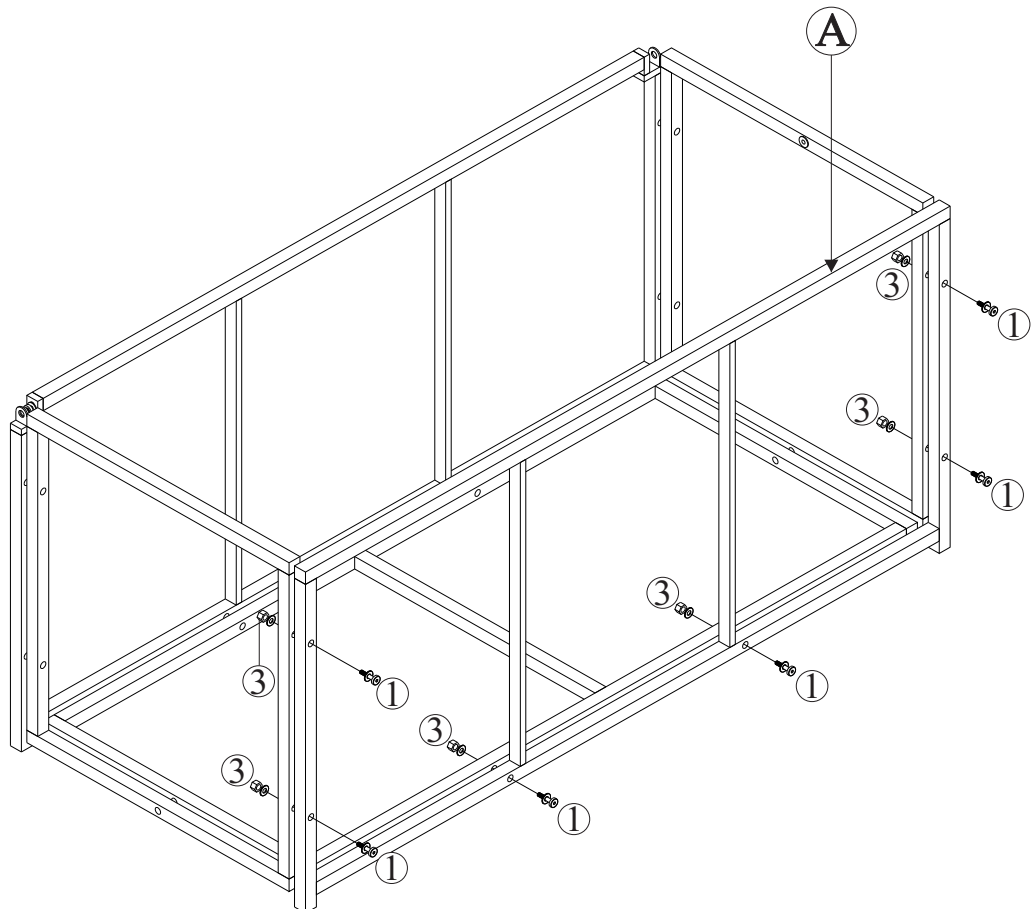
STEP 3

Connect part from STEP 2, Left Frame (D), with Bolt (1) & Nut M6 (3)



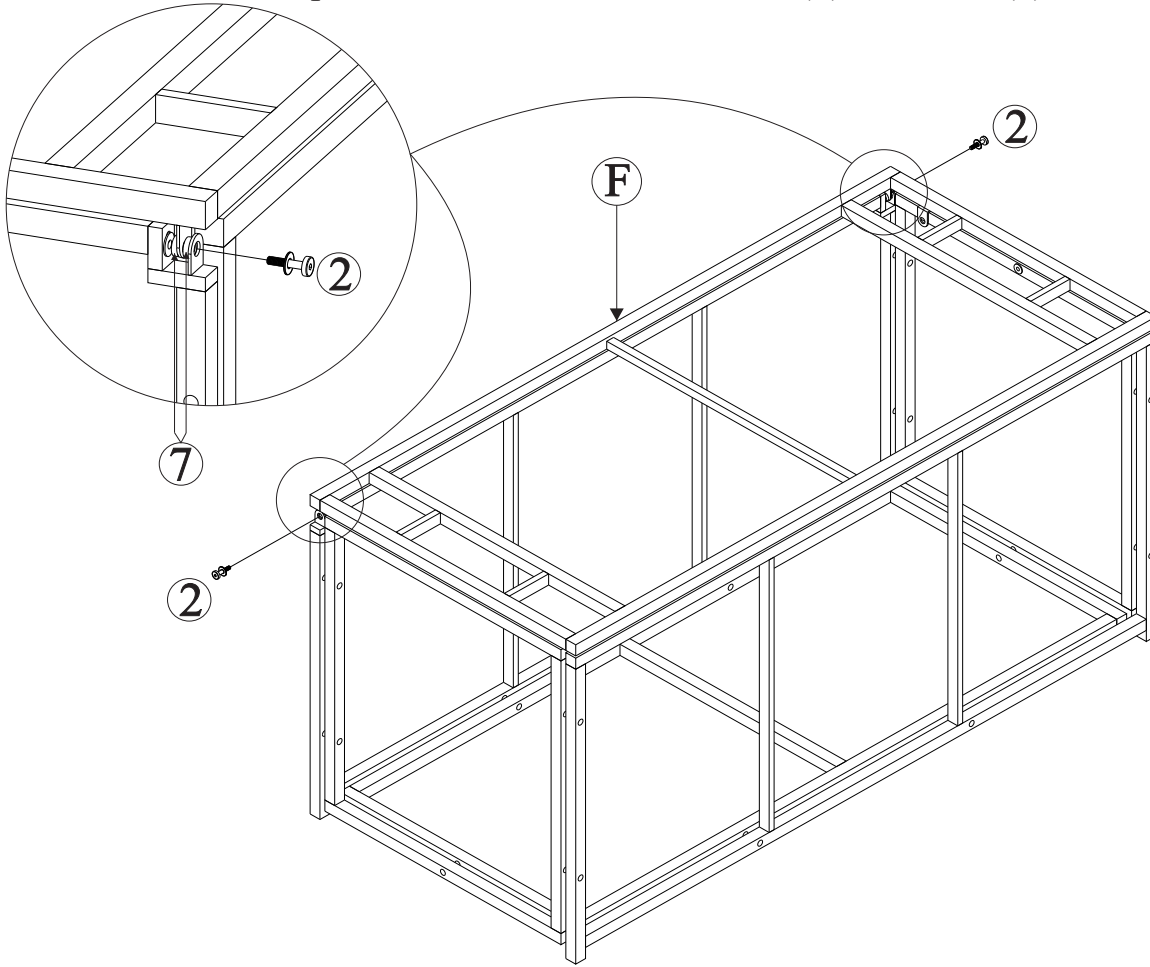
STEP 4

Connect part from STEP 3, Front Frame (A) with Bolt (1) & Nut M6 (3)



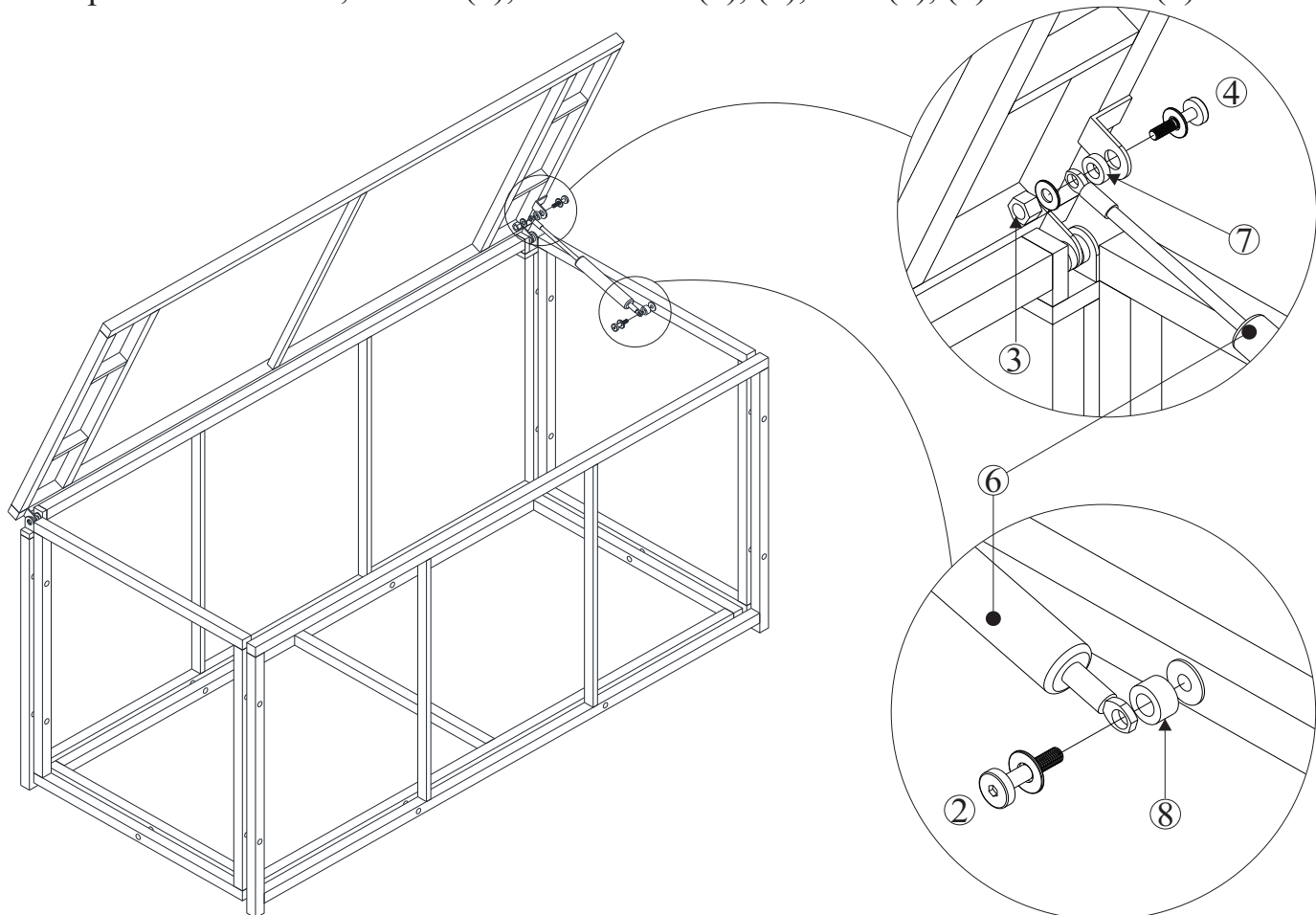
STEP 5

Connect part from STEP 4, Cover Frame (F) with Bolt (2) & Washer M8 (7)



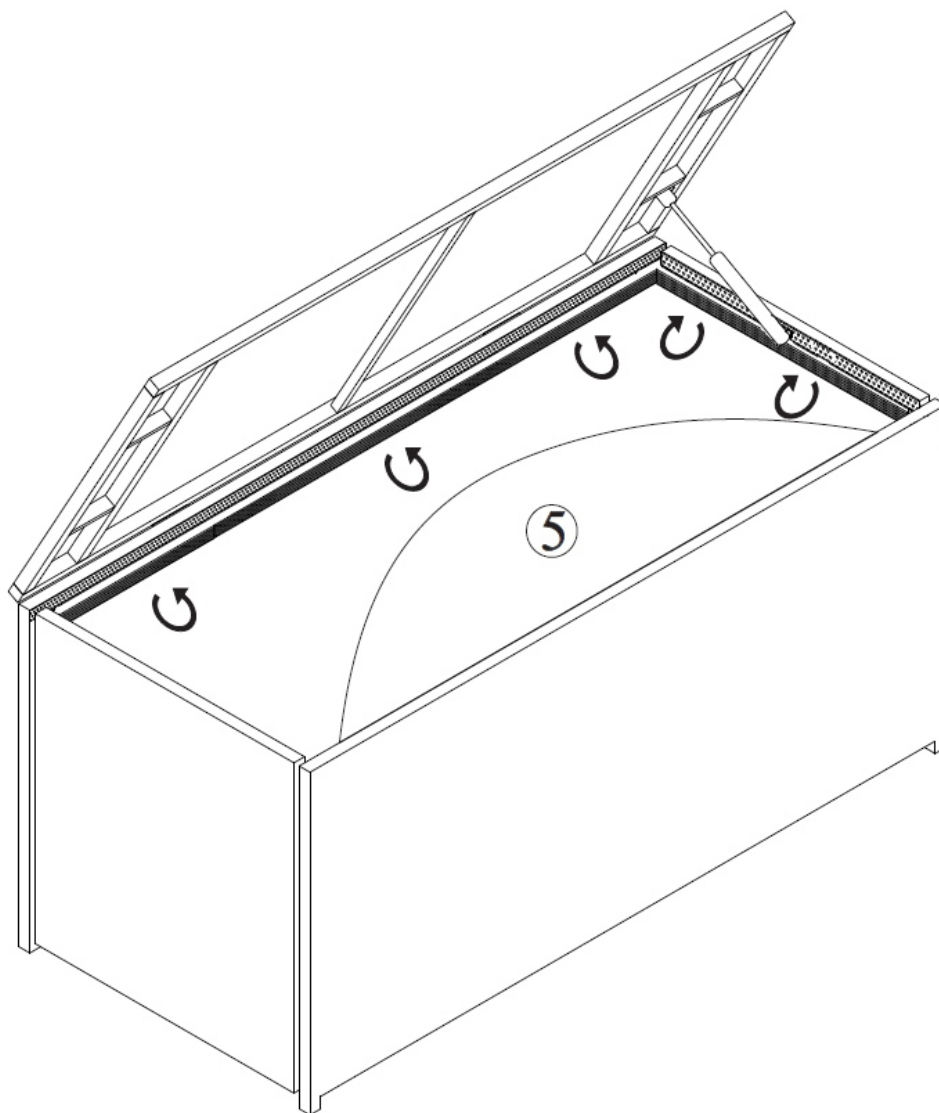
STEP 6

Connect part from STEP 5, Gaslift (6), Washer M8 (7), (8), Bolt (2), (4) & Nut M6 (3)



STEP 7

Hook Fabric (5) to complete Cushion Box.



Care and Maintenance

Further advice about wood furniture care