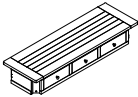


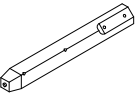


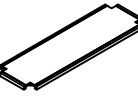


ASSEMBLY INSTRUCTION

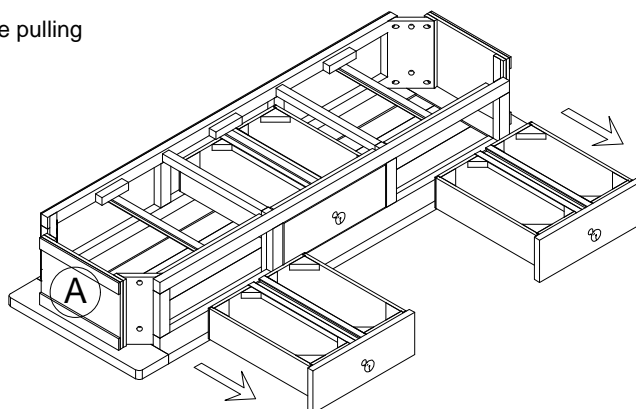
MODEL: # FSH2209

Thank you for purchasing this quality product. Be sure to check all packing material carefully for small parts which may have come loose inside the carton during shipment. Separate, identify and count all parts and metal hardware. Compare with parts list to be sure all parts are present. If any part(s) are missing or damaged, please contact your local furniture dealer. For efficient and speedy service, please indicate the model number and code letter of part(s) needed.

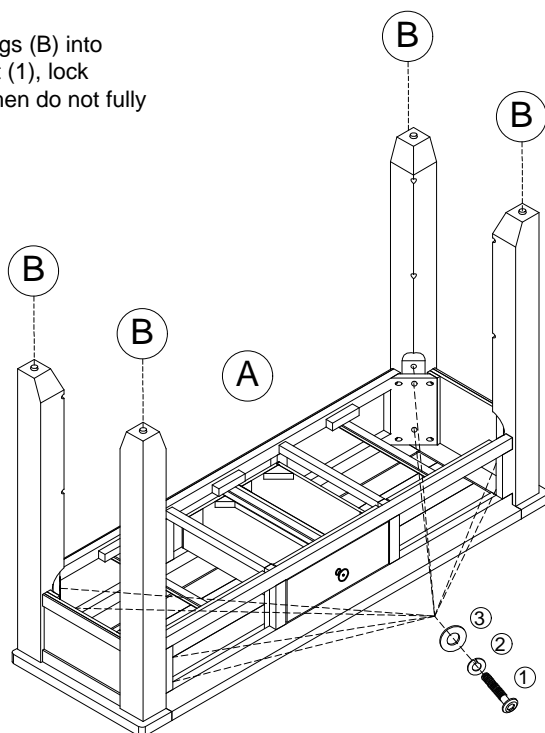
***** Do not fully tighten screws until fully assembled *****

No.	COMPONENT LIST		Q'ty	No.	HARDWARE LIST		Q'ty
A		Side Table Top	1pc	1		Bolts 1/4x50mm	16pcs
				2		Lock Washer 1/4	16pcs
B		Legs	4pcs	3		Flat Washer 1/4	16pcs
				4		Allen key K4	1pcs
C		Shelves	2pcs				

Step 1 : Hold the plastic up before pulling the side drawers



Step 2 : Align and place Legs (B) into Side table top (A). Use Bolt (1), lock washer(2), flat washer(3) then do not fully tighten bolt places.



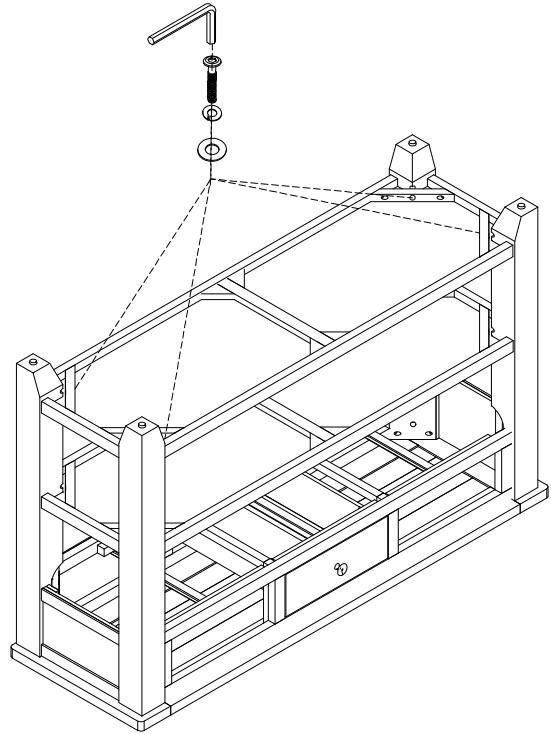
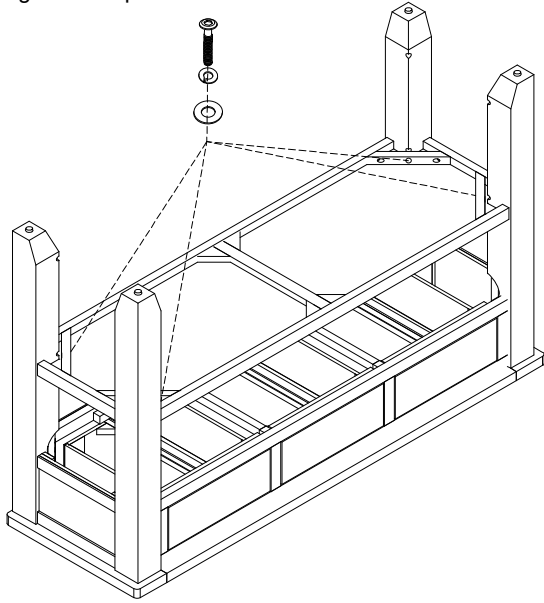
ASSEMBLY INSTRUCTION

MODEL: # FSH2209

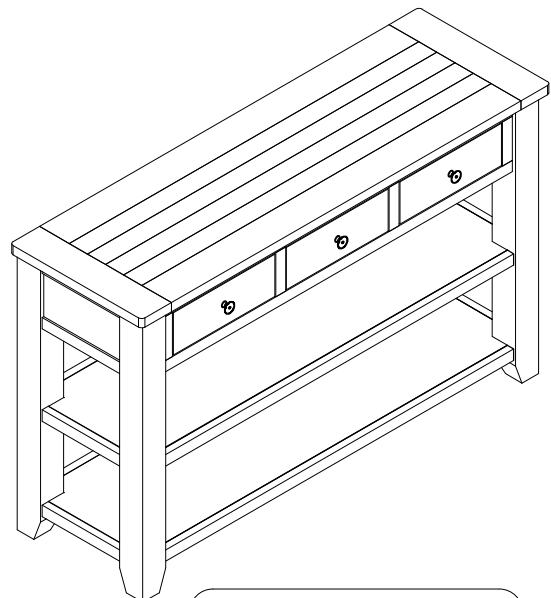
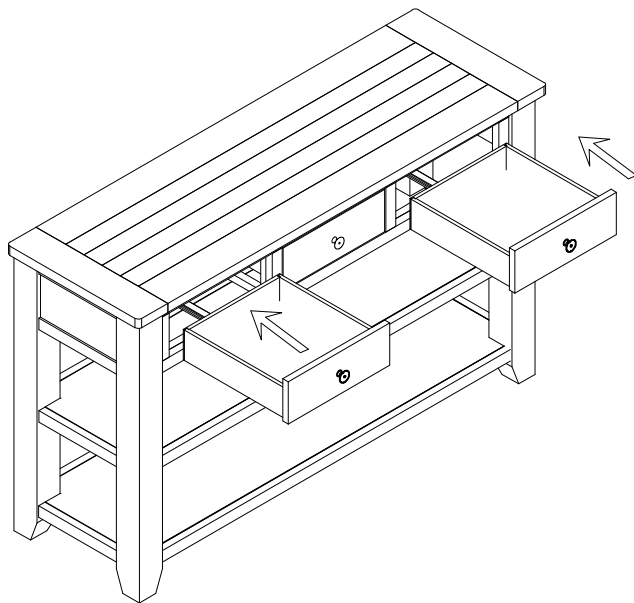
Thank you for purchasing this quality product. Be sure to check all packing material carefully for small parts which may have come loose inside the carton during shipment. Separate, identify and count all parts and metal hardware. Compare with parts list to be sure all parts are present. If any part(s) are missing or damaged, please contact your local furniture dealer. For efficient and speedy service, please indicate the model number and code letter of part(s) needed.

***** Do not fully tighten bolts until fully assembled *****

Step 3 : Align and place Shelves (c) into legs (B). Use Bolt (1), lock washer(2), flat washer(3). Then use Allen key (4) fully tighten bolt places.



Step 4 : Take drawers in to Console table top.



**FINISH .
THANK YOU !**