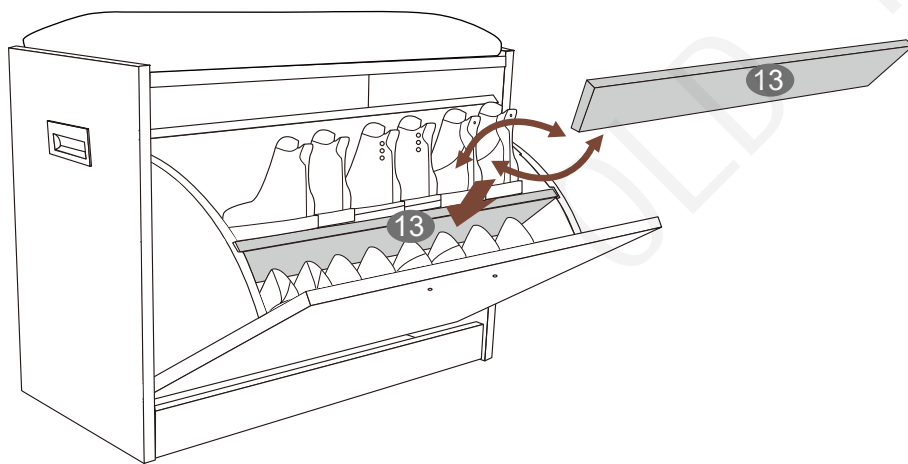
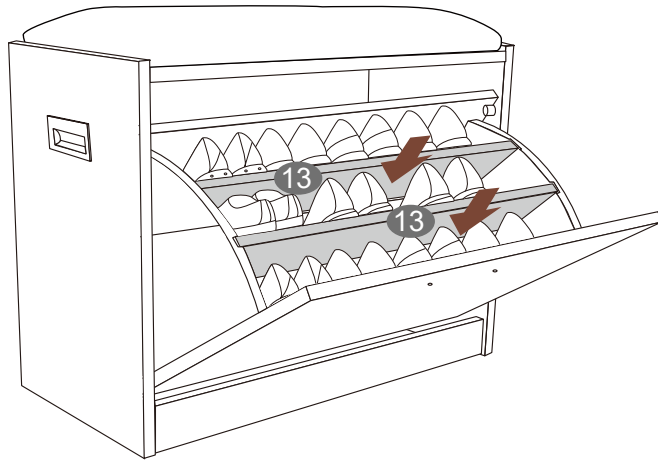
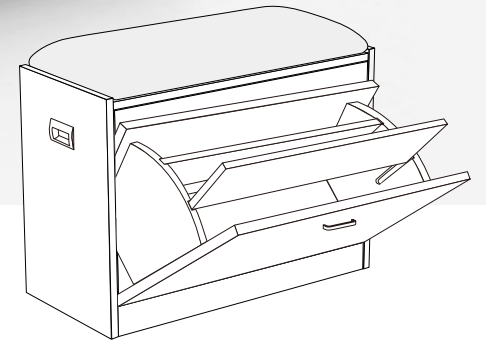
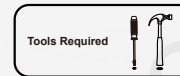


ACCORDING TO YOUR NEEDS  
PULL OUT ONE OF THE PARTITIONS TO PUT BIGGER SIZE SHOES



# INSTALLATION MANUAL SHOE BENCH



UPDATED ON 26/03/2022

## CONTENT

STRUCTURAL DECOMPOSITION DIAGRAM PAGE 1

PARTS LIST PAGE 2

INSTALLATION STEPS PAGE 4

## INTRODUCTION

Before using the product ,please read this manual carefully and then assemble it. To avoid any injury or damage to the product,please follow safety rules below.

- Product to be installed in a dry,flat place indoor.
- Assembly & movement: minimum 2 adults - heavy product.
- Make sure all screws in the part list included in the hardware package before assembly.
- In the event of a missing items,contact the seller within 48 hours.

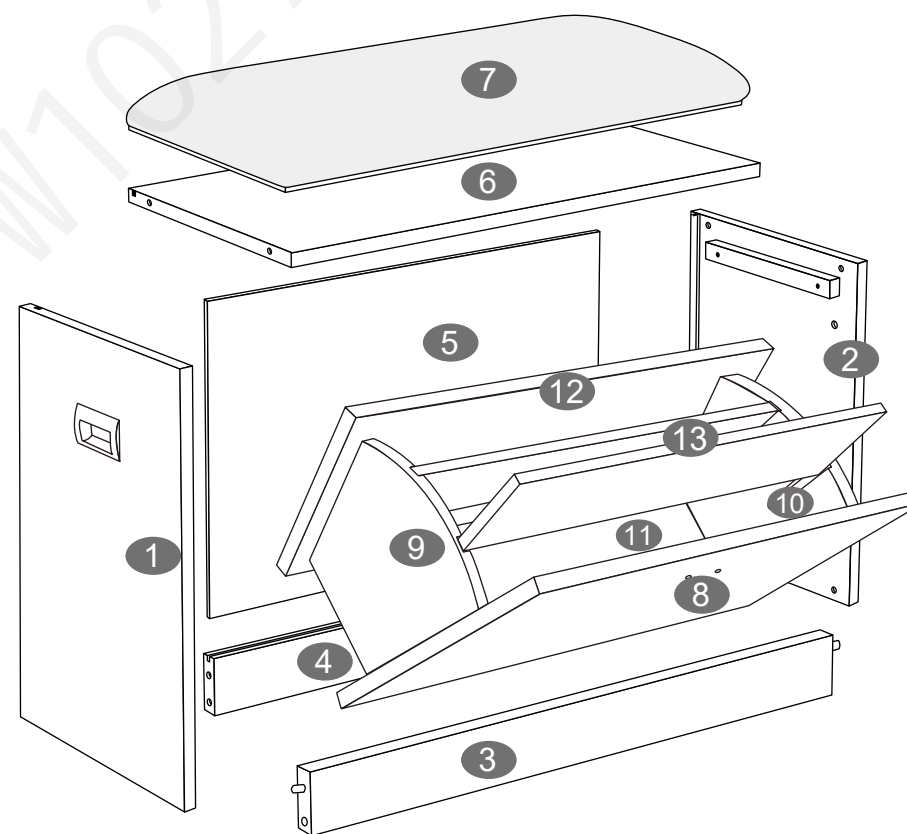
## TIPS AND WARNINGS:

- Do not store in a damp room or outdoor.
- Beware of the risks of pinching and puncturing during installation.

### Maintenance :

Cleaning with a dry cloth.  
Keep away from water or wet shoes.

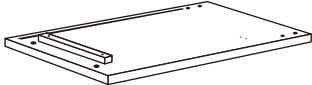
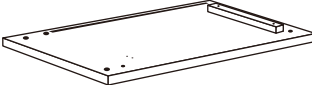
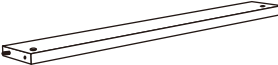



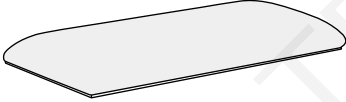

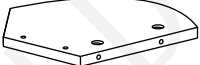




## STRUCTURAL DECOMPOSITION DIAGRAM



The picture is for reference only





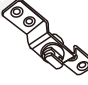
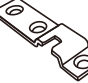







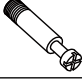

# PART LIST

Illustration picture for reference only

NO.	DESCRIPTION	QTY	SIZE	ILLUSTRATION
1	Left side panel	1	18.0*11.7*0.59"	
2	Right side panel	1	18.0*11.7*0.59"	
3	Front rail	1	23.5*2.36*0.47"	
4	Back strip	1	23.5*2.99*0.47"	
5	Back panel	1	23.8*14.6*0.19"	
6	Top panel	1	23.5*11.7*0.59"	
7	cushion	1	23.2*11.4*0.47"	
8	Rack cover panel	1	23.4*14.5*0.59"	
9	Left rack side panel	1	10.5*9.13*0.47"	
10	Right rack side panel	1	10.5*9.13*0.47"	
11	Rack bottom panel	1	21.0*5.86*0.47"	
12	Rack back panel	1	23.4*7.79*0.47"	
13	Rack partition panel	2	21.4*6.88*0.47"	

# PART LIST

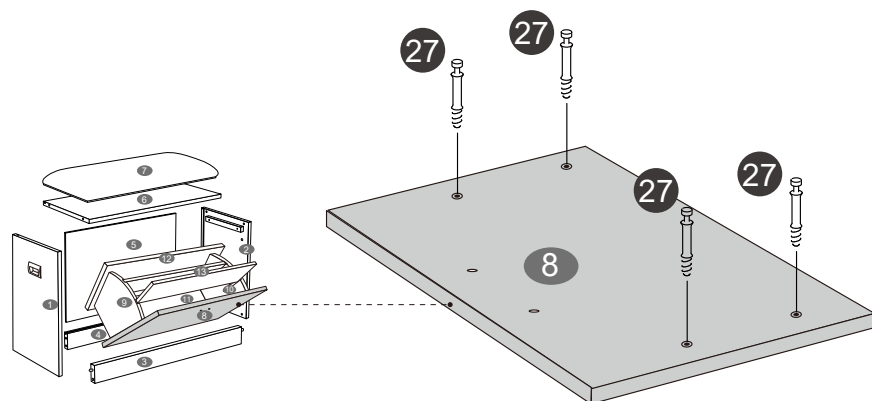
Illustration picture for reference only

NO.	ILLUSTRATION	QTY	SIZE
14		8	0.19*1.96"
15		8	
16		8	0.13*0.47"
17		6	0.15*0.47"
18		2	
19	 Left	1	
20	 Right	1	
21		2	
22		4	
23		4	0.13*0.62"
24		1	
25		2	0.15*0.78"
26		14	
27		14	
28	 Velcro	2	

## INSTALLATION STEPS

Please read the instructions carefully before assembling the bench.  
Two adults are required for assembly of this product on a clean, flat surface instead of a rough surface.

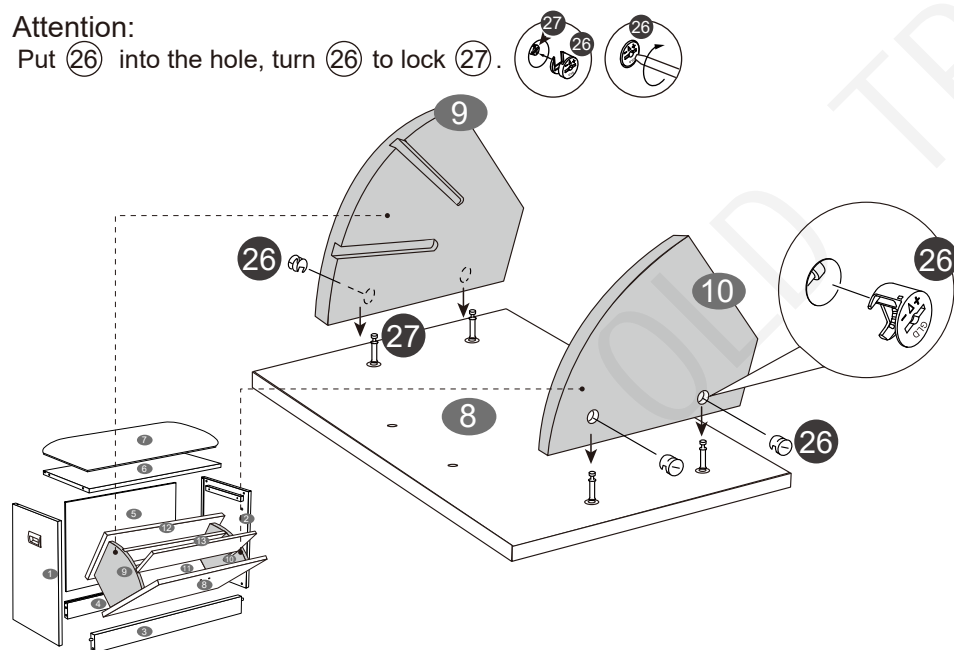
### STEP 1



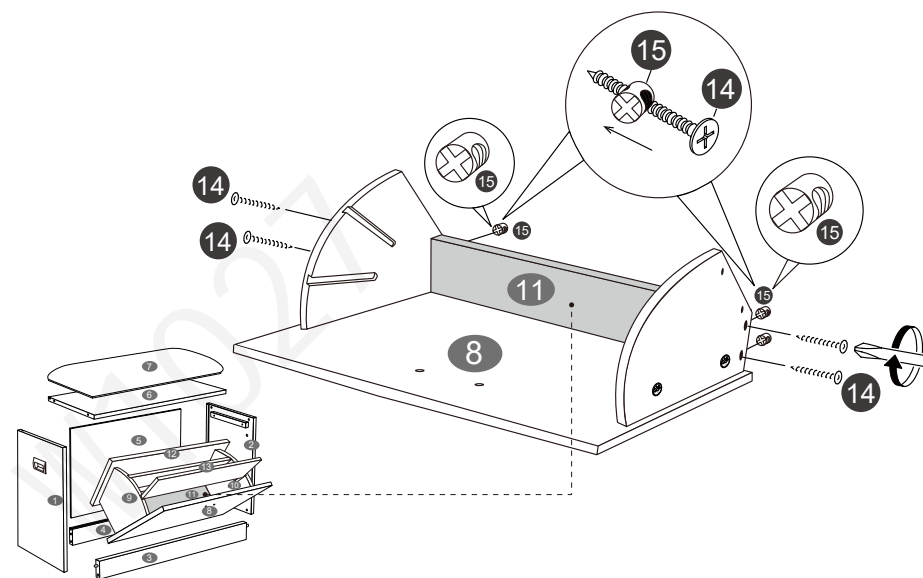
### STEP 2

Attention:

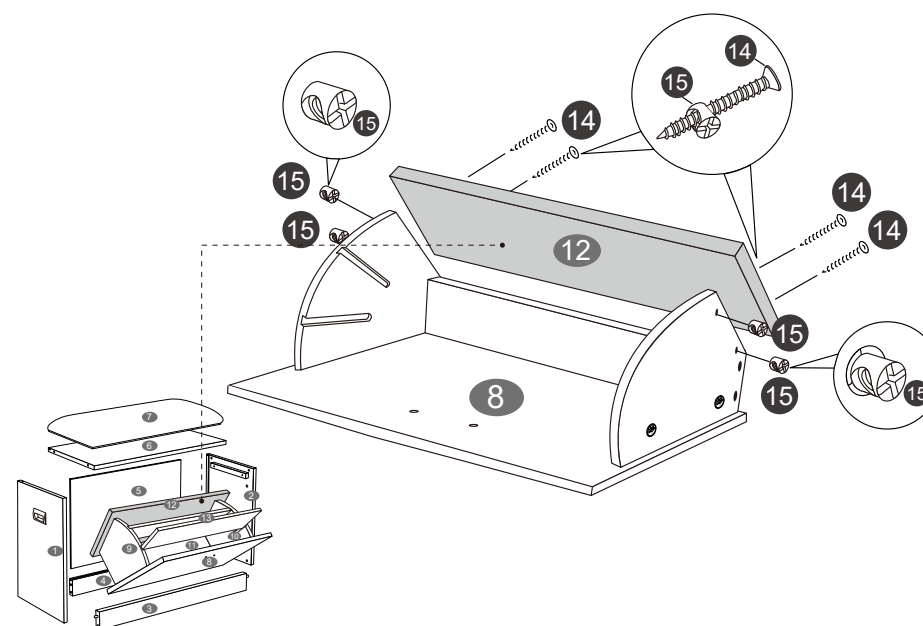
Put (26) into the hole, turn (26) to lock (27).



### STEP 3

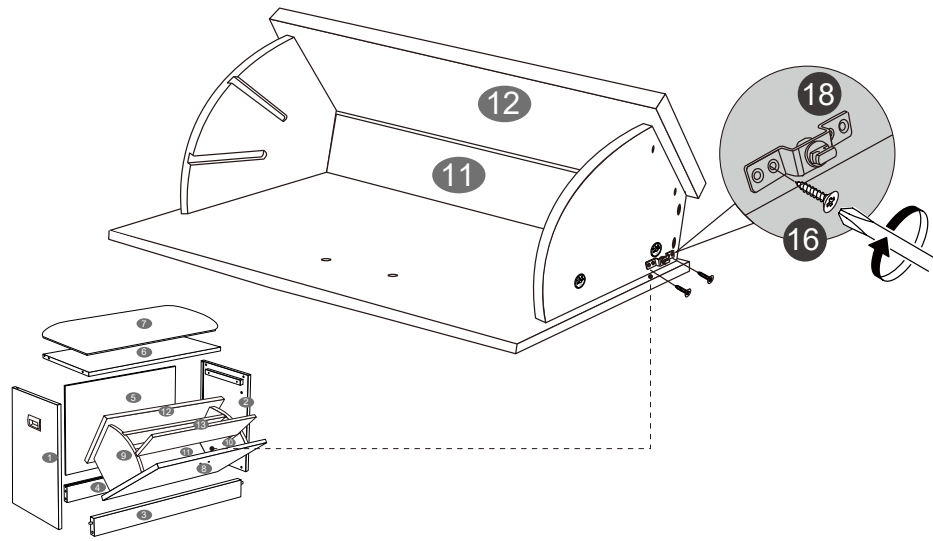


### STEP 4

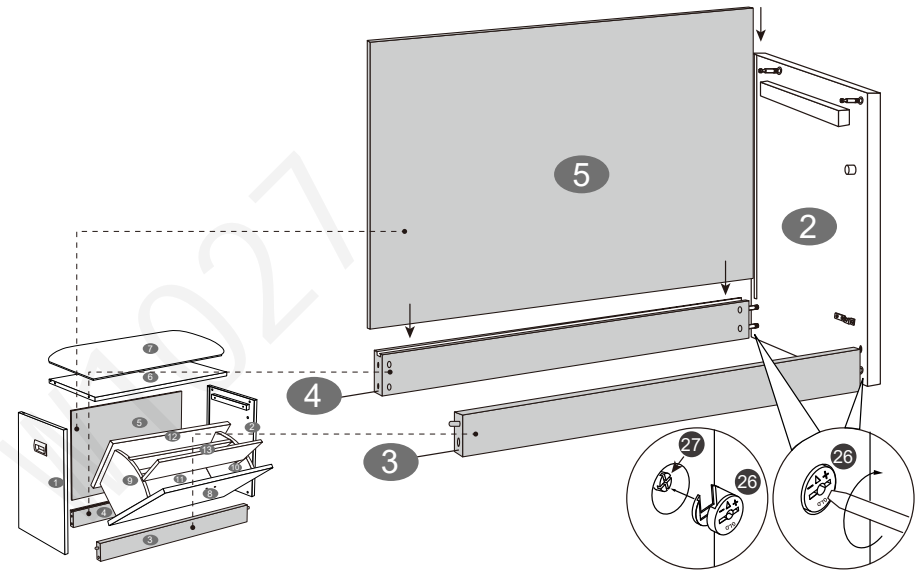




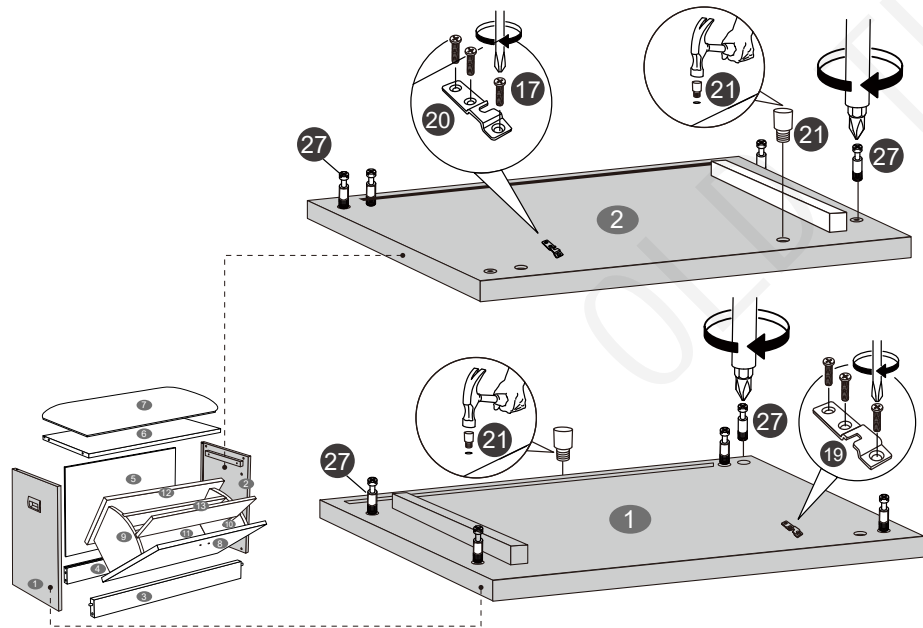
### STEP 5



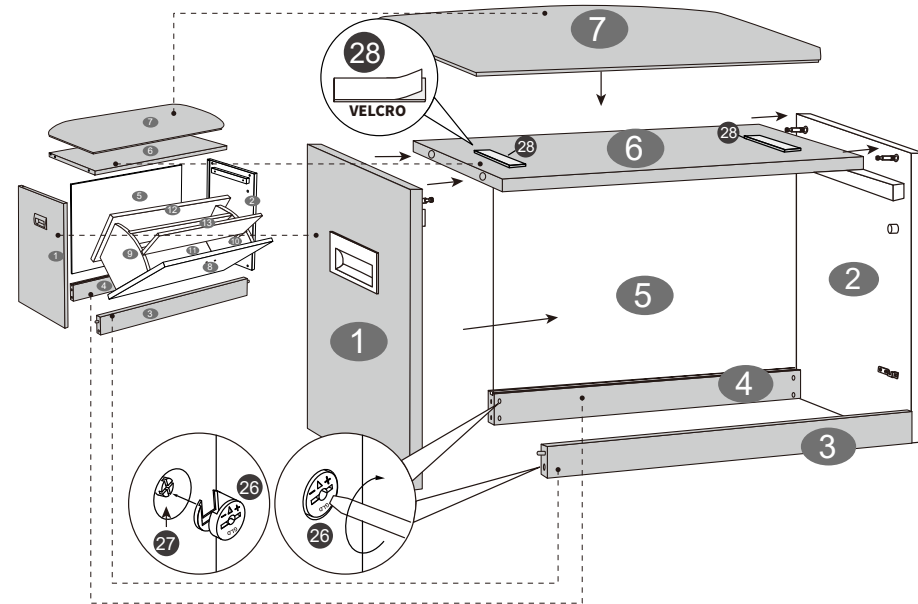
### STEP 7



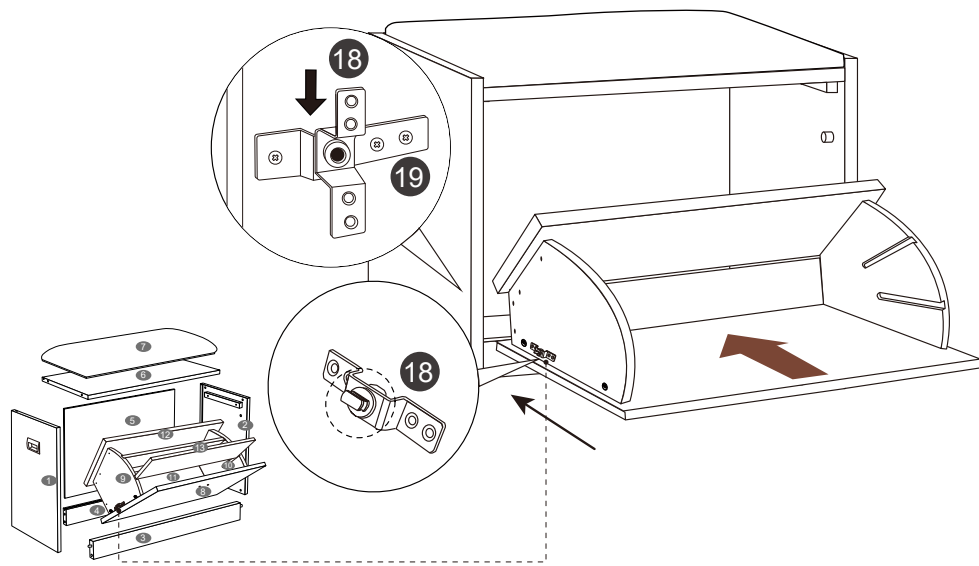
### STEP 6



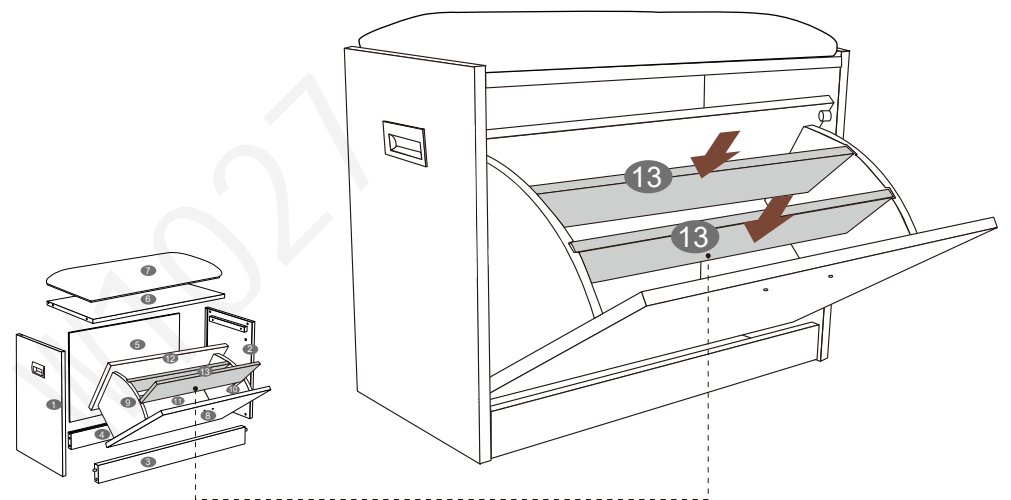
### STEP 8



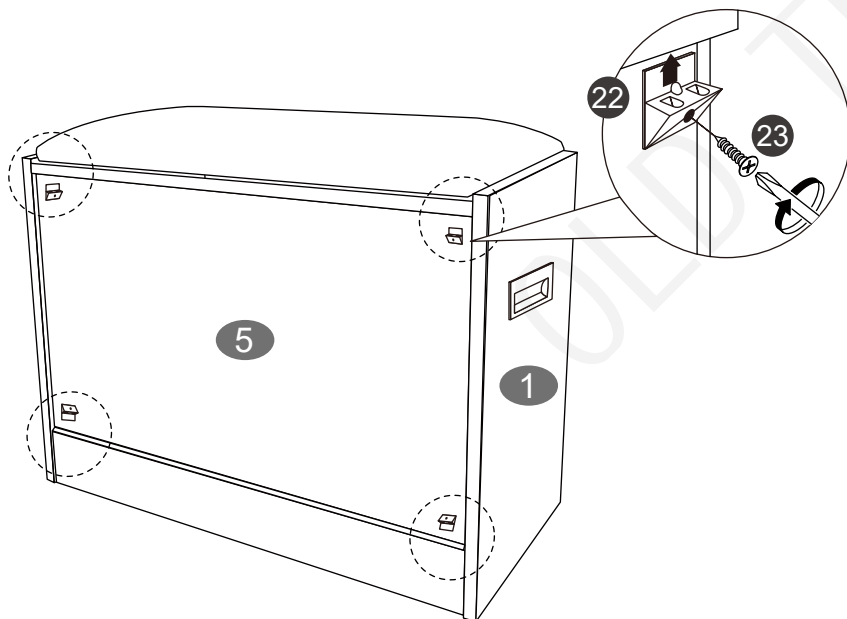
**STEP 9**



**STEP 11**



**STEP 10**



**STEP 12**

