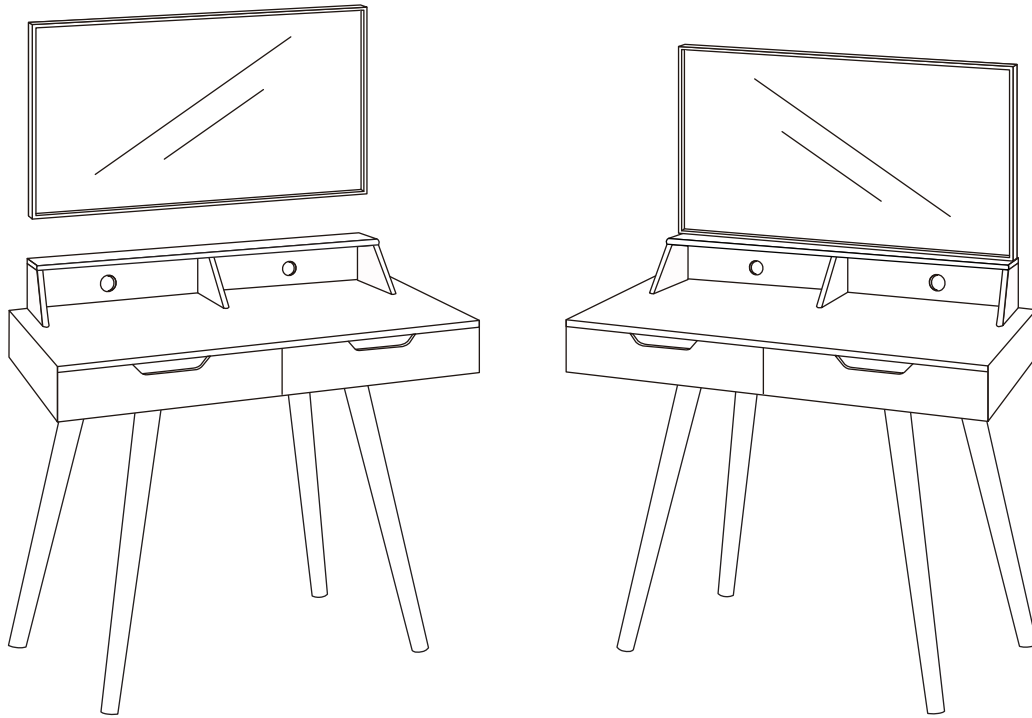
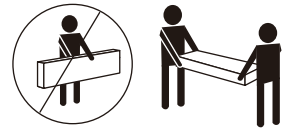


# Assemble instruction for dressing table

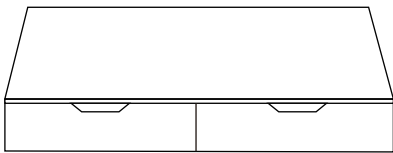
Two adults must be required. Before you begin, please follow the instruction step by step.

**CAUTION:**

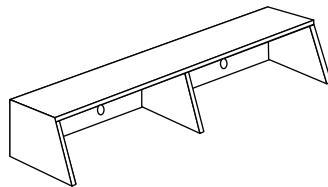
Two adults are required for assembly of this product on a clean and flat place with roughness, it could avoid panel being scratched.



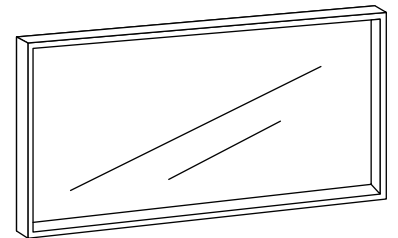
## Parts list



① 1pc



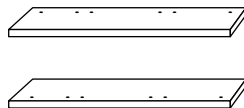
② 1pc



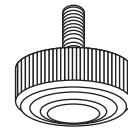
③ 1pc



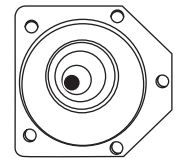
④ 4pcs



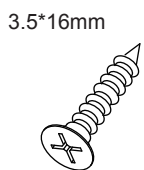
⑤ 2pcs



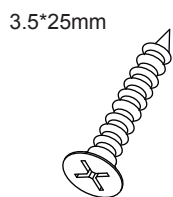
⑥ 4pcs



⑦ 4pcs



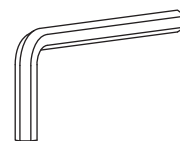
⑧ 20pcs



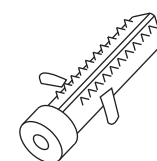
⑨ 12pcs



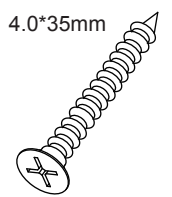
⑩ 4pcs



⑪ 1pc



⑫ 2pcs



⑬ 2pcs

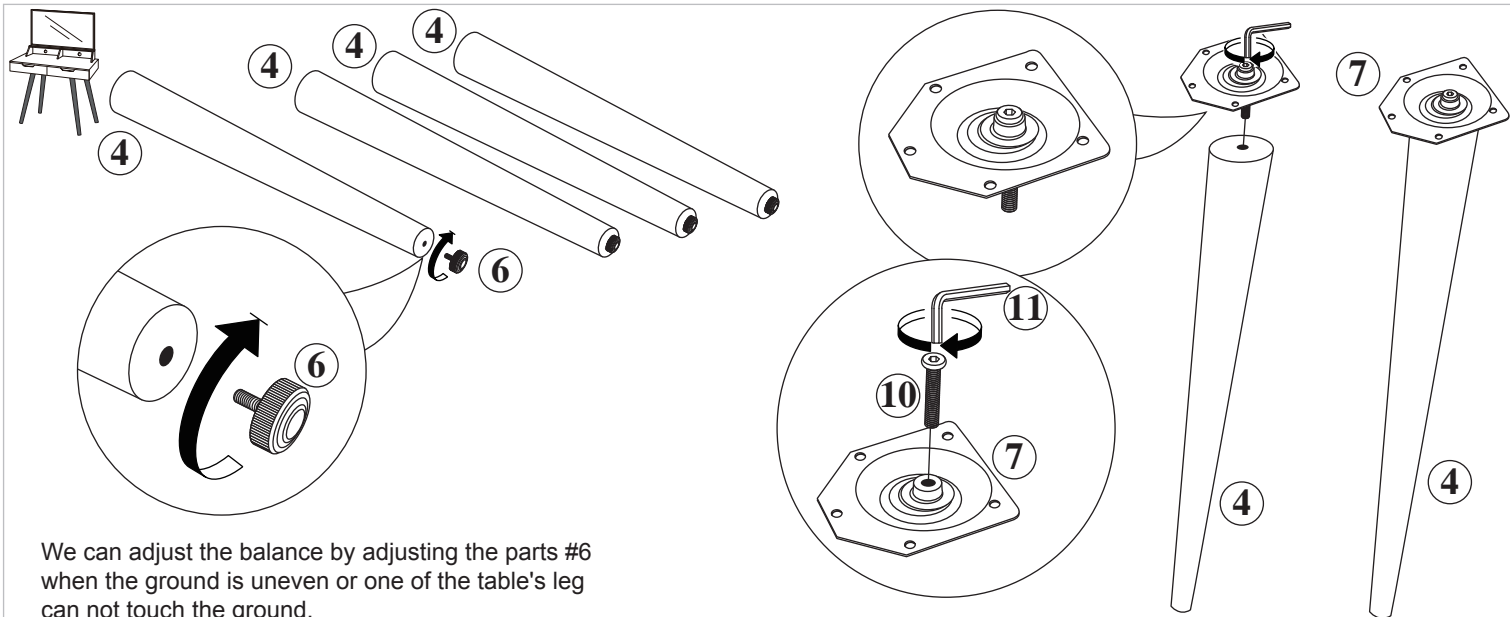
Tool Required



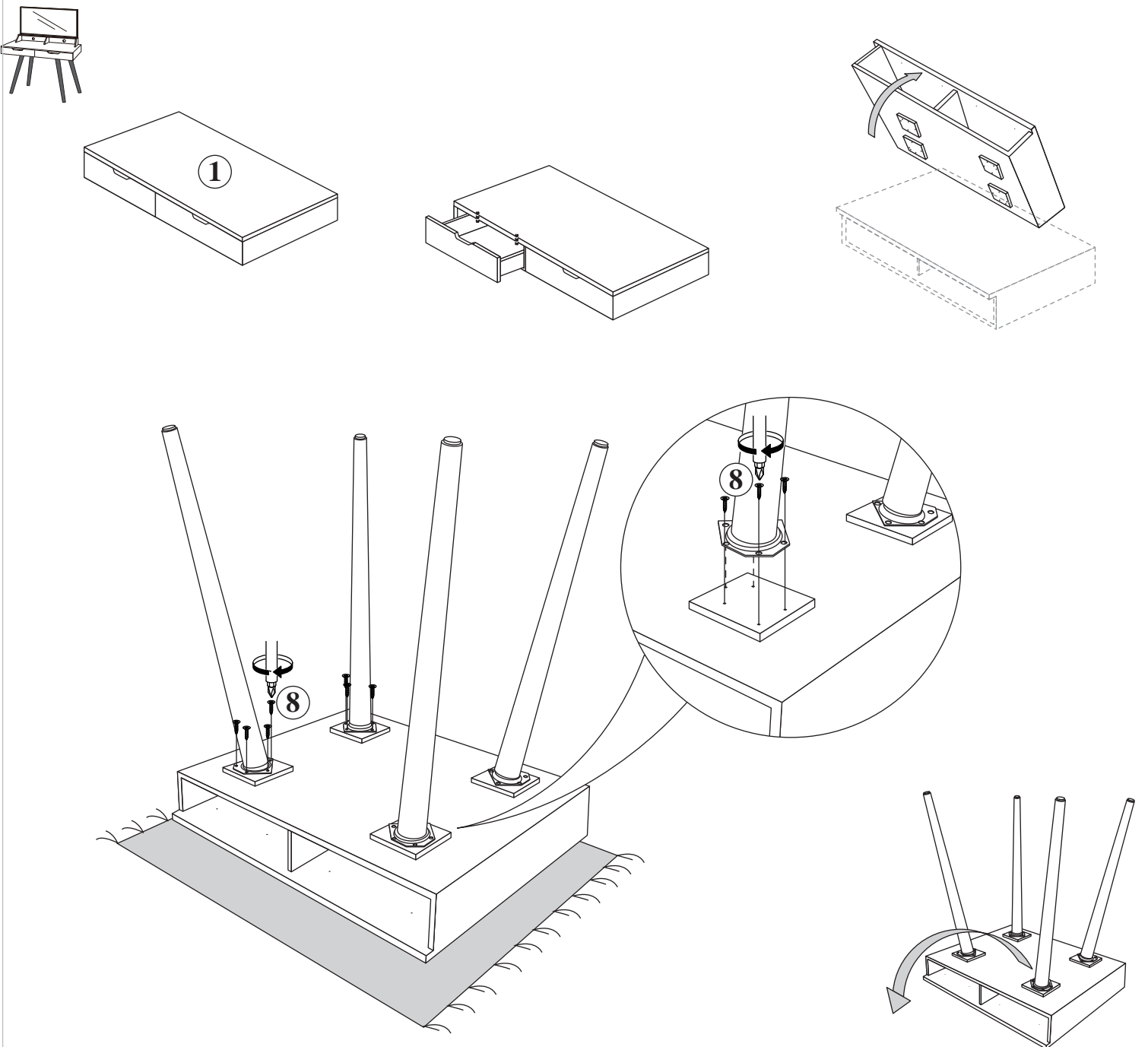
# Assistance may be required for assembly of this product

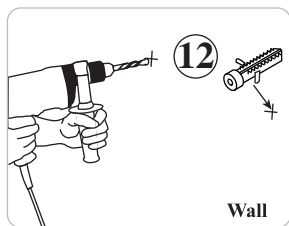
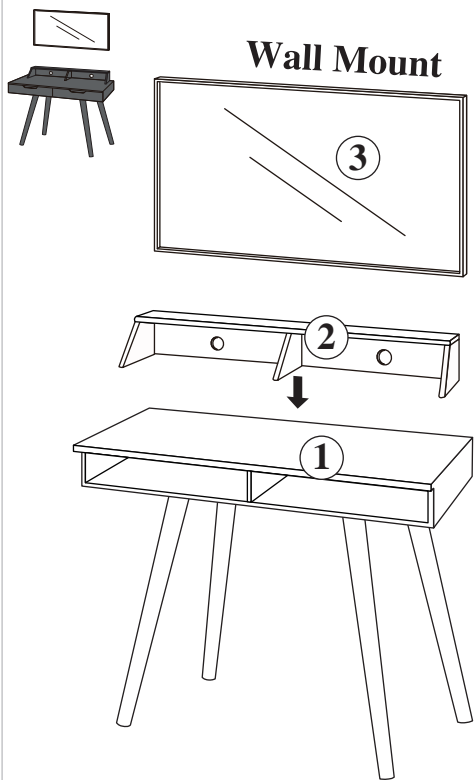
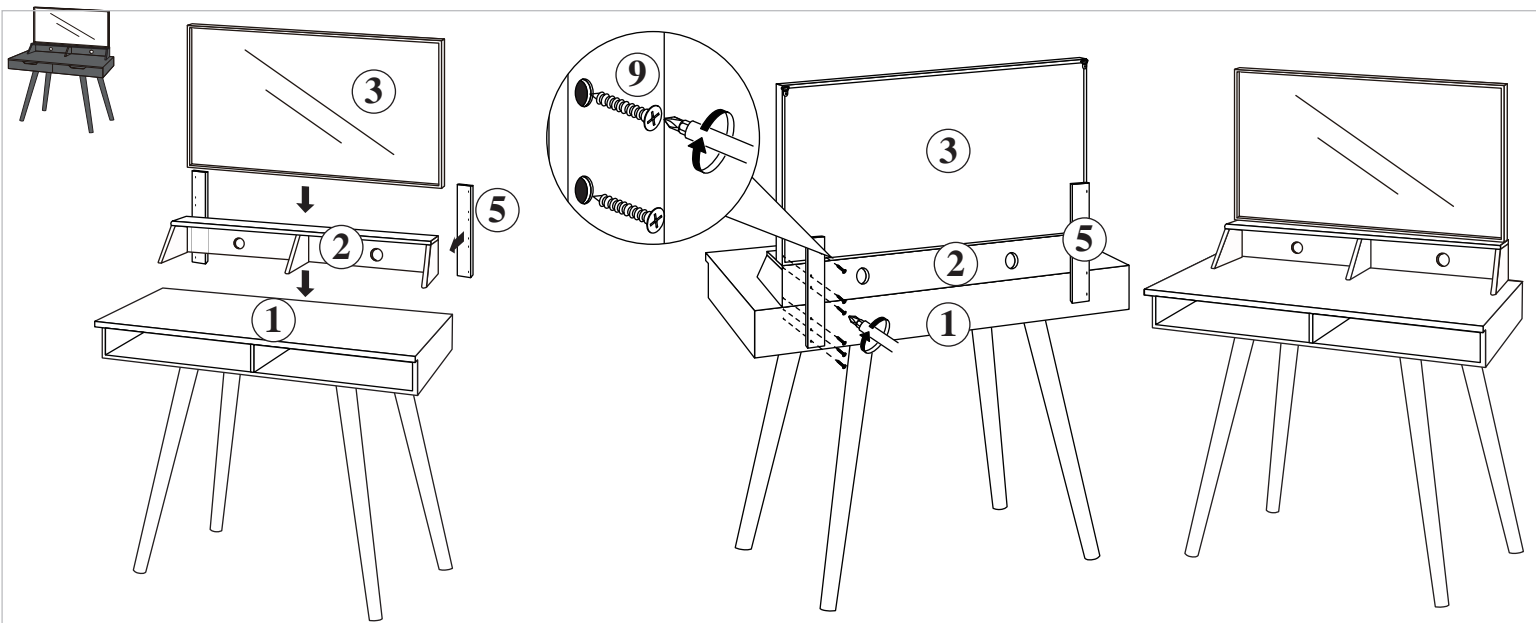
Please read the instruction carefully before assembling the table.

Two adults are required for assembly of this product on a clean and flat place with roughness, it could avoid panel being scratched.

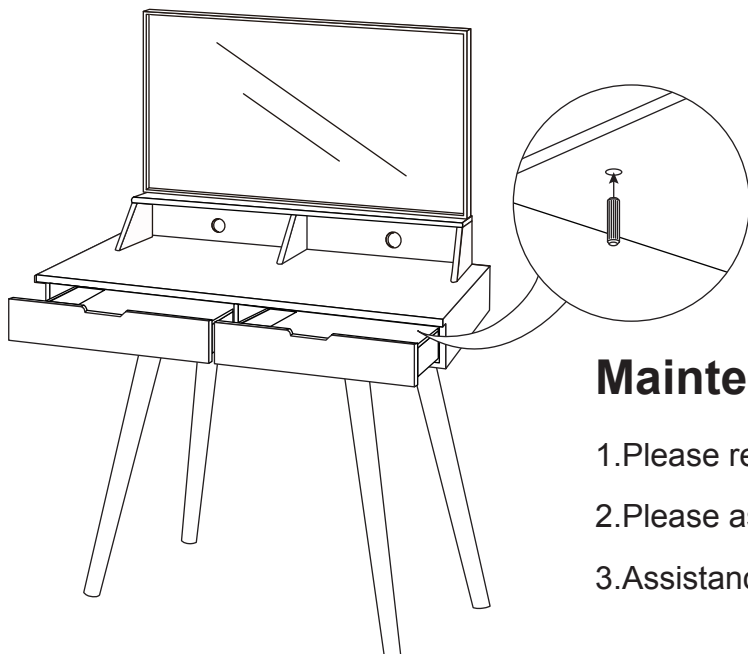
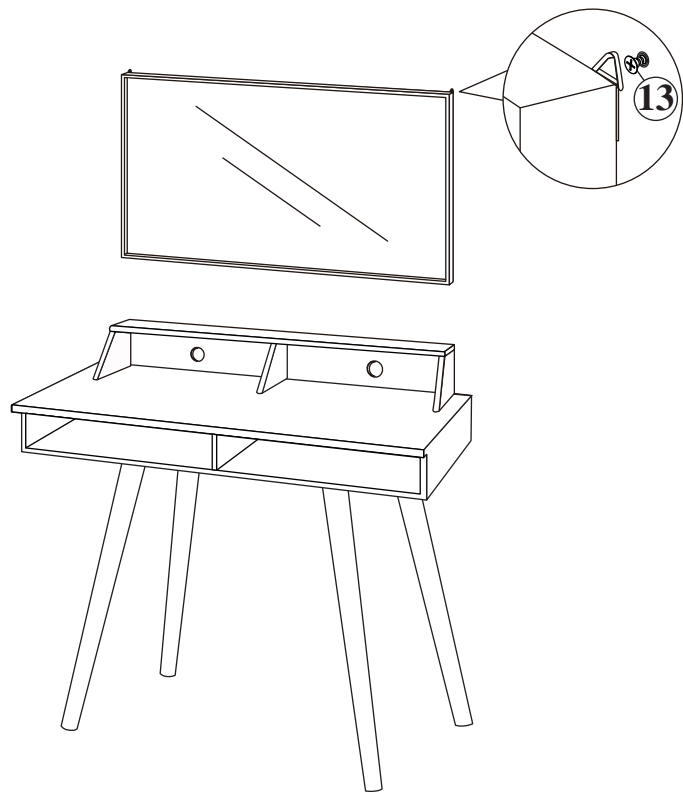
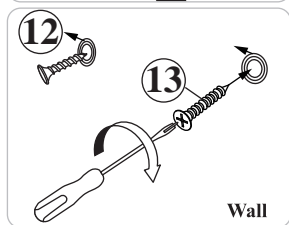
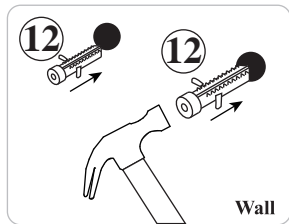


We can adjust the balance by adjusting the parts #6 when the ground is uneven or one of the table's leg can not touch the ground.





Drill the hole after measuring and marking position.



## Maintenances:

1. Please read the instruction carefully before assembling.
2. Please assemble the product on a clean and flat place.
3. Assistance may be required for assembly of this product.