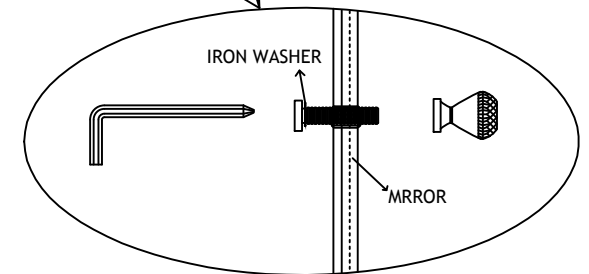
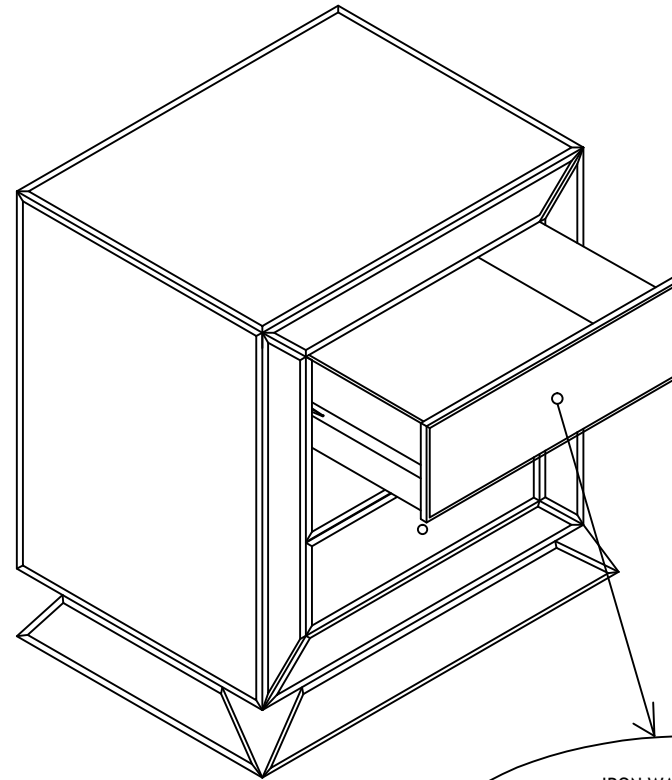
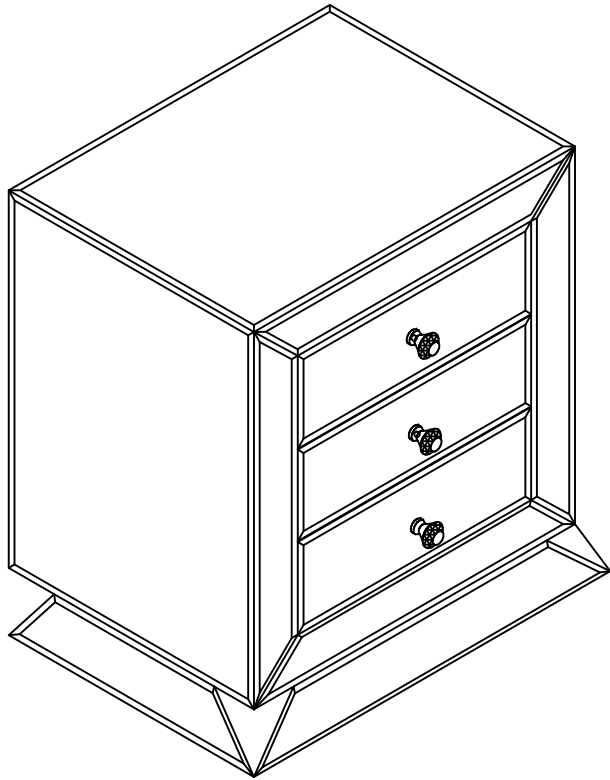





ASSEMBLY INSTRUCTION :



(A)  X3	(B)  x1	(C)  X3
---	---	---