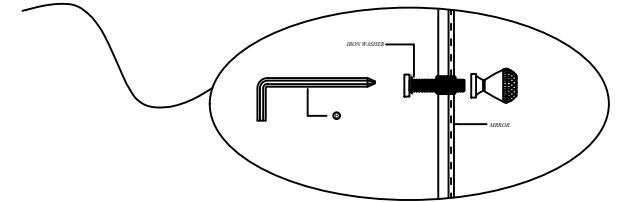
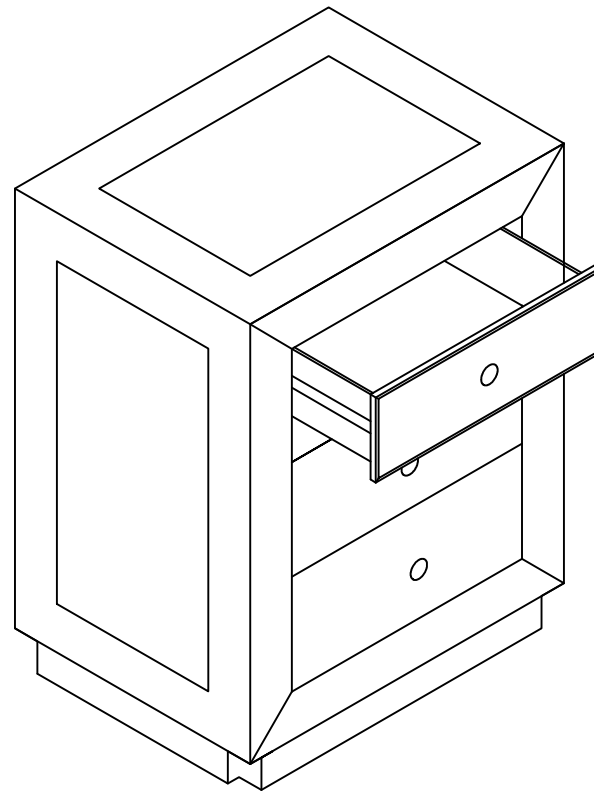
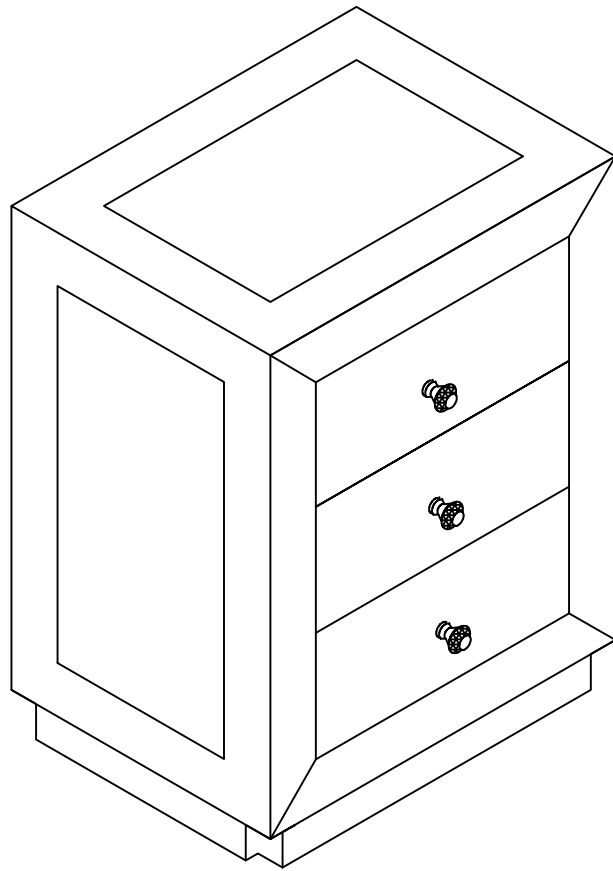


# ASSEMBLY INSTRUCTION



(A)



X3

(B)



X1

(C)



X3