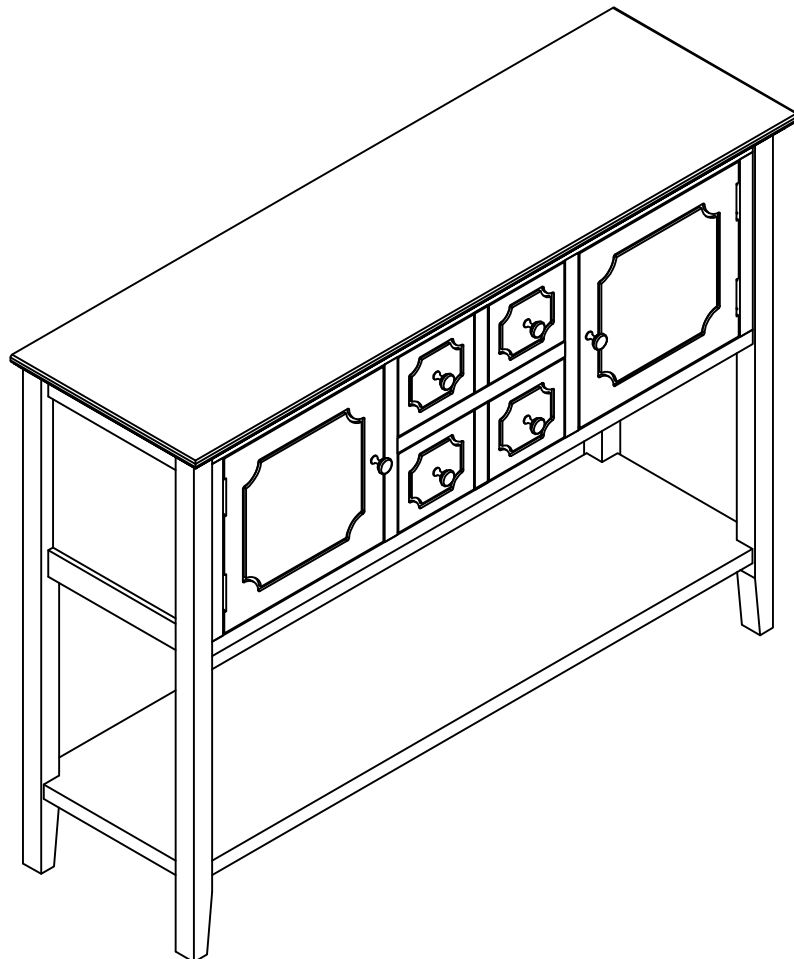


ASSEMBLY INSTRUCTIONS

ITEM# AM191001

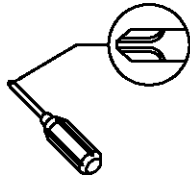


If you find any damage after opening, please take pictures of the damage and contact us.
We will help you solve the problem as soon as possible.

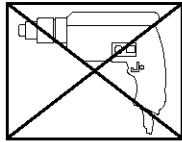
THANK YOU

General Assembly Guidelines

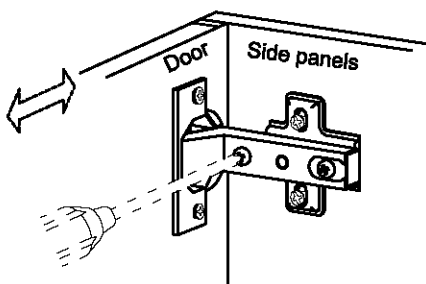
- I. Ensure that all parts and hardware are available before beginning assembly.
- II. Follow each step carefully to ensure the proper assembly of this product.
- III. Two people are recommended for ease in the assembly of this product.
- IV. The three main types of hardware used to assemble this product are : wood dowels , screws and bolts.
- V. A Phillips head screwdriver is required for the assembly of this product .



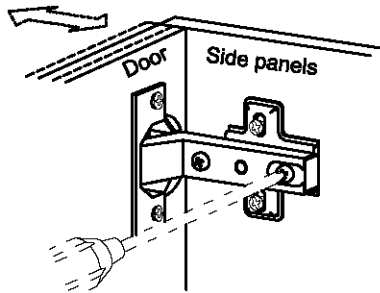
- VI. Power tools should not be used to assemble this product .



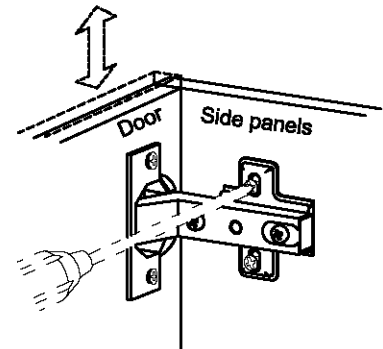
- VII. Concealed hinges are three-way adjustable.



Horizontal
by screw adjustment

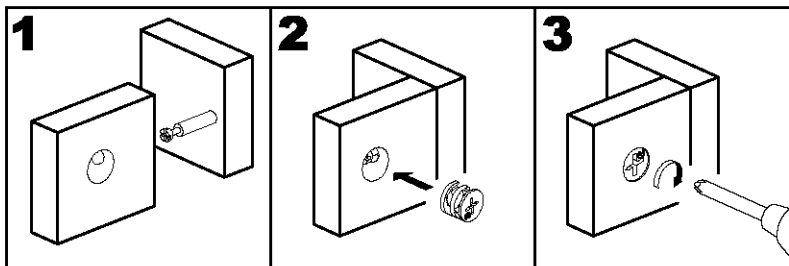


In-and-Out
by loosening the hinge-arm
mounting screw or via cam
adjustment



Vertical
Via slots in the mounting
plate or via cam adjustment

- VIII. Insert cam lock into panel tighter with a screwdriver;



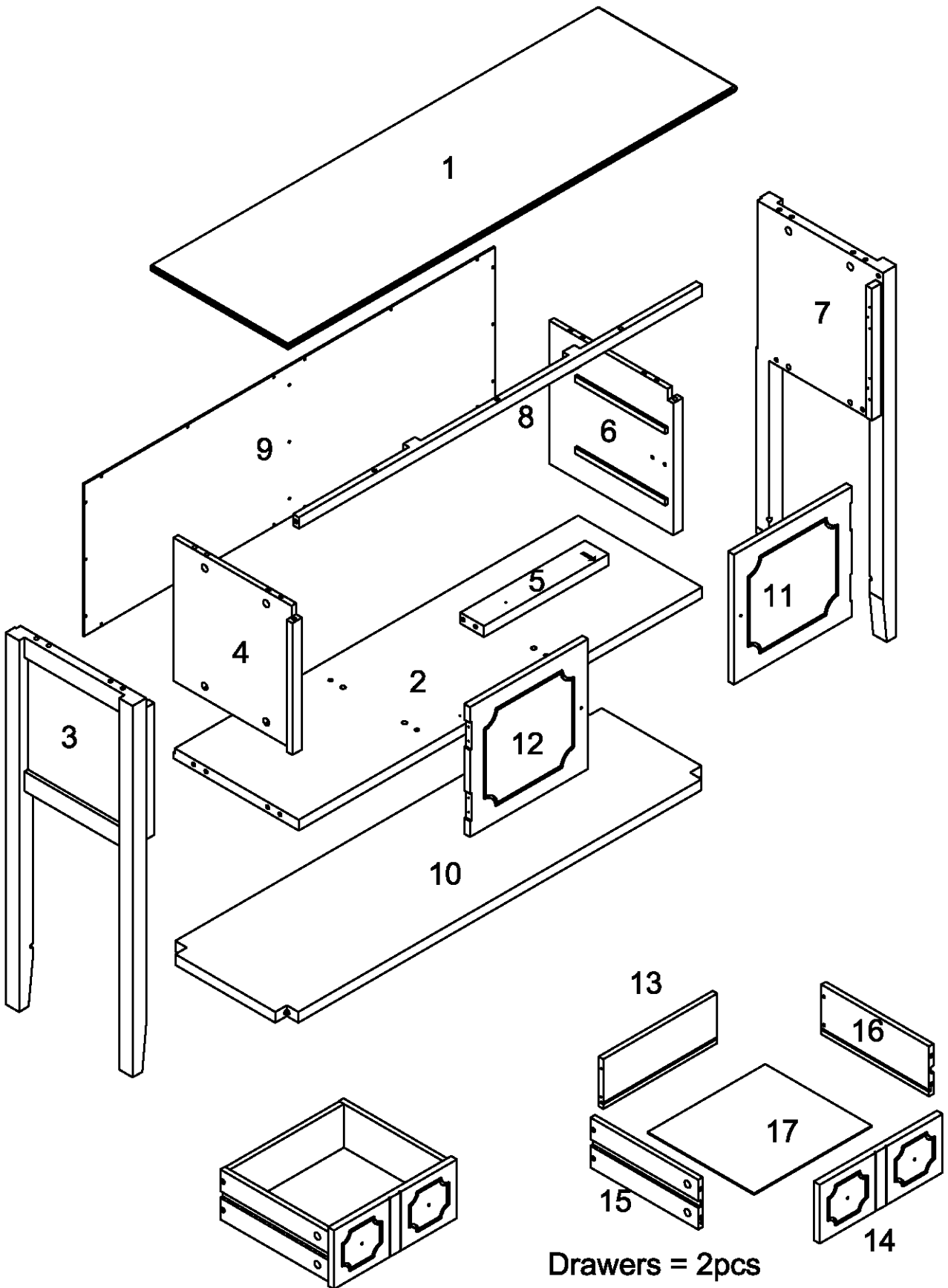
⚠ WARNING

Serious or fatal injuries can occur from furniture tip-over.


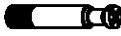















To help prevent furniture tip-over:

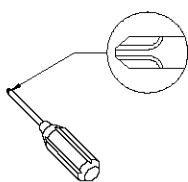
- 1/ It is recommended to use mounting hardware to secure furniture to the wall. This may reduce but not eliminate the risk of furniture tip-over.**
 - 2/ Do not allow children to climb on furniture.**
 - 3/ Keep remote controls, toys and other items that might attract children off from this product.**
 - 4/ Do not allow children to step on furniture.**
 - 5/ Unless specifically designed to accommodate , do not set televisions or other heavy objects on top of this product.**
- Caution:Do not allow door stay open when moving furniture.**
- 6/ Assembly the furniture on empty carton, carpet, or rug to prevent scratches or damage.**

Parts List



Hardware List






A		M8*30(mm)	Wooden dowel	15 pcs
B		M6*32(mm)	Cam bolt	16 pcs
C		Ø15*9.5mm	Cam lock	24 pcs
D		M6*30(mm)	Wooden dowel	12 pcs
E		M6*32(mm)	Cam bolt	8 pcs
F		Ø30	Sticker	28 pcs
G		M3*12(mm)	Screw	24 pcs
H		M4*25mm	Screw	8 pcs
I			Handle	6 pcs
J		Ø4x18mm	Handle Screw	6 pcs
K			Hinge	4 pcs
L		Ø3x12	Screw	28 pcs
M			Hexagon socket key	1 pc
N		Ø6x55mm	Bolt	4 pcs
O			Spring washer	4 pcs
P			Washer	4 pcs
Q				2 pcs

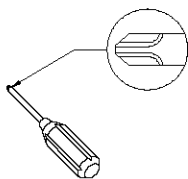


Philips head screwdriver required for assembly
(not included)

*The hardware quantities listed above are required for proper assembly.
Some extra hardware may also have been included.*

Hardware List

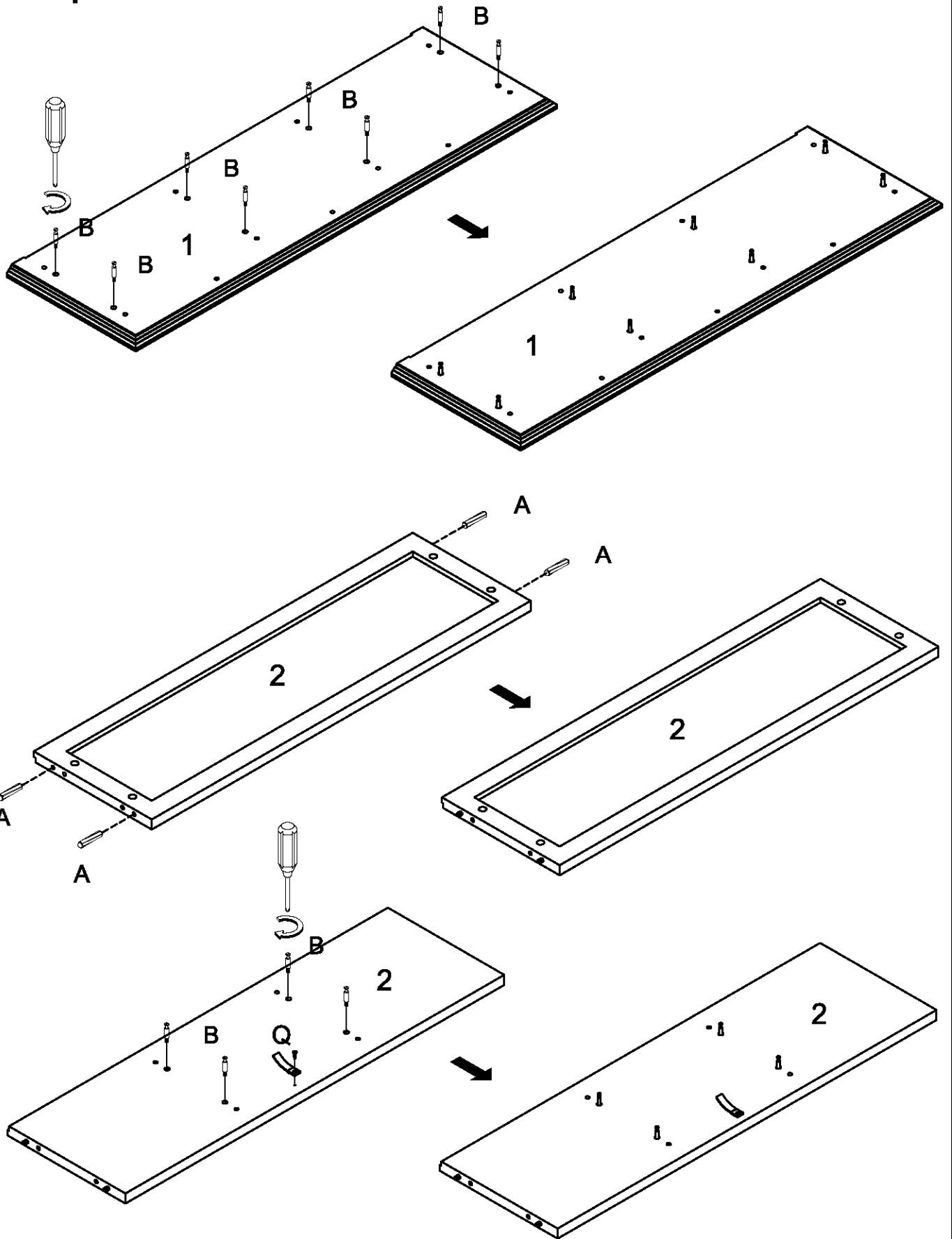
R	R1		Ø3*16mm	Cam lock	2 pcs
	R2		Ø4*30mm	Cam lock	2 pcs
	R3				2 pcs
	R4				2 pcs
	R5				1 pcs



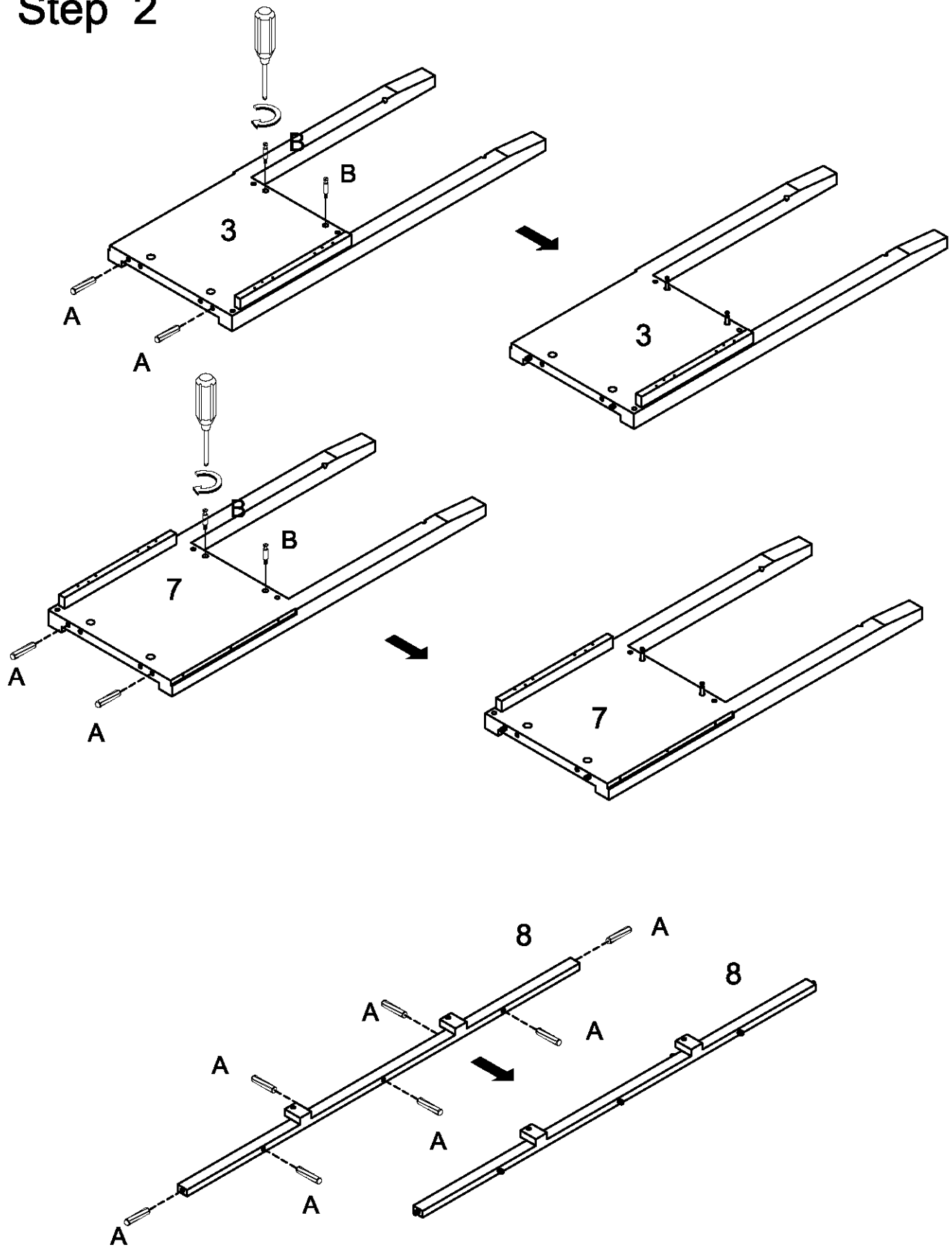
**Philips head screwdriver required for assembly
(not included)**

*The hardware quantities listed above are required for proper assembly.
Some extra hardware may also have been included.*

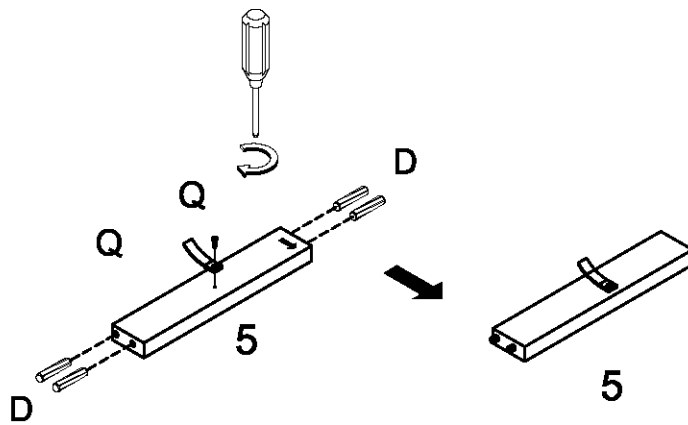
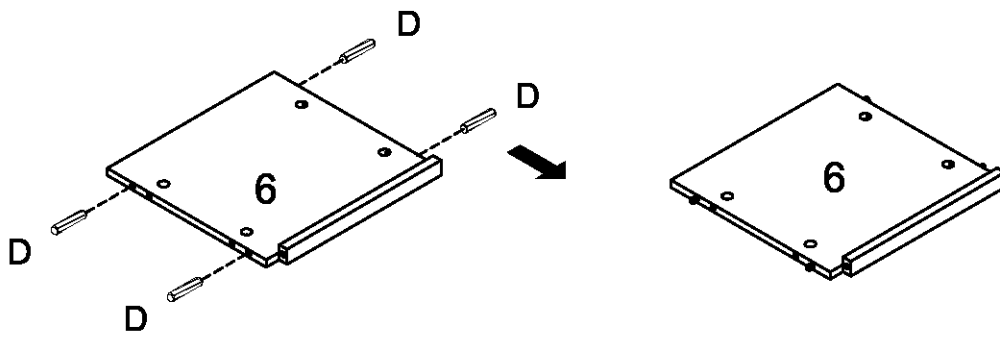
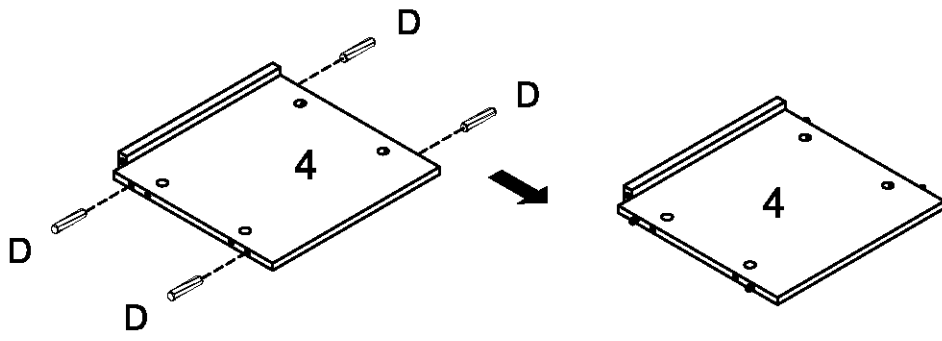
Step 1



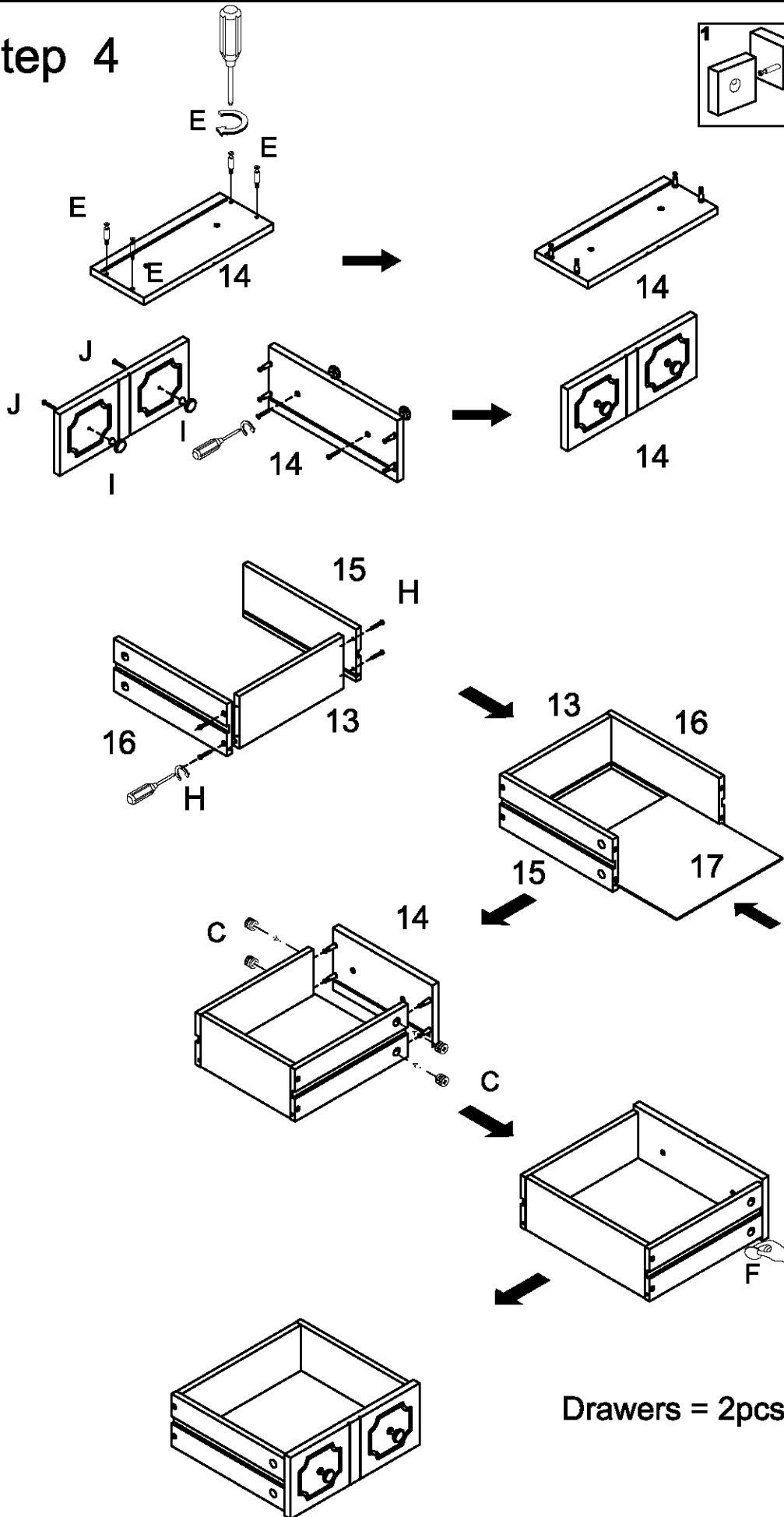
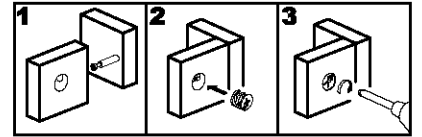
Step 2



Step 3

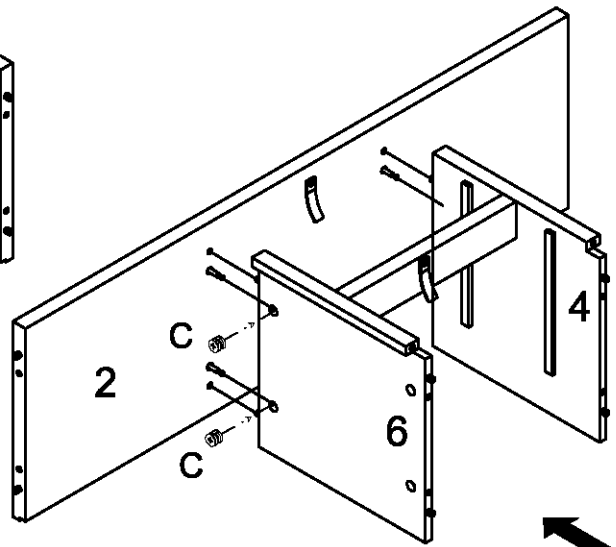
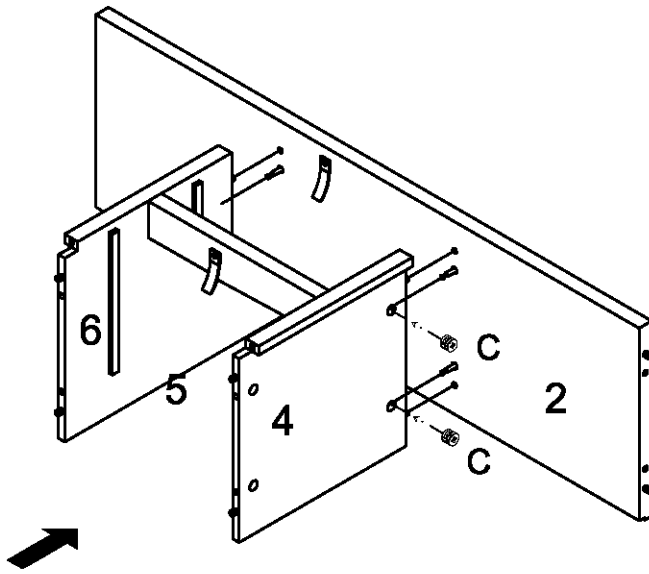
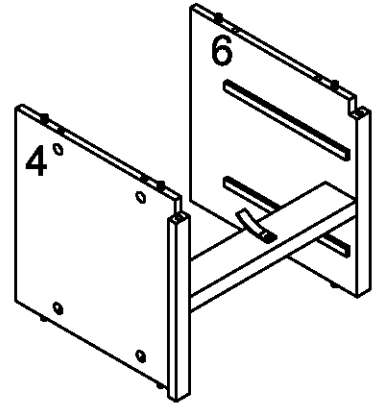
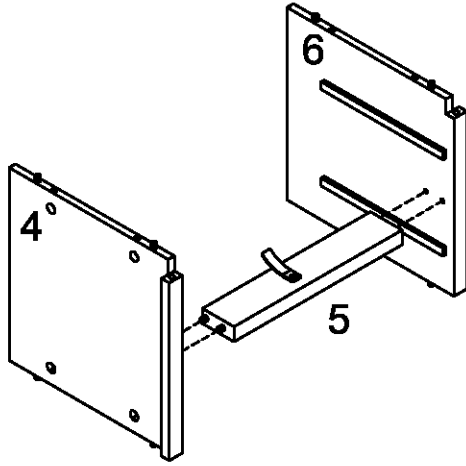
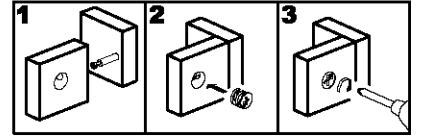


Step 4

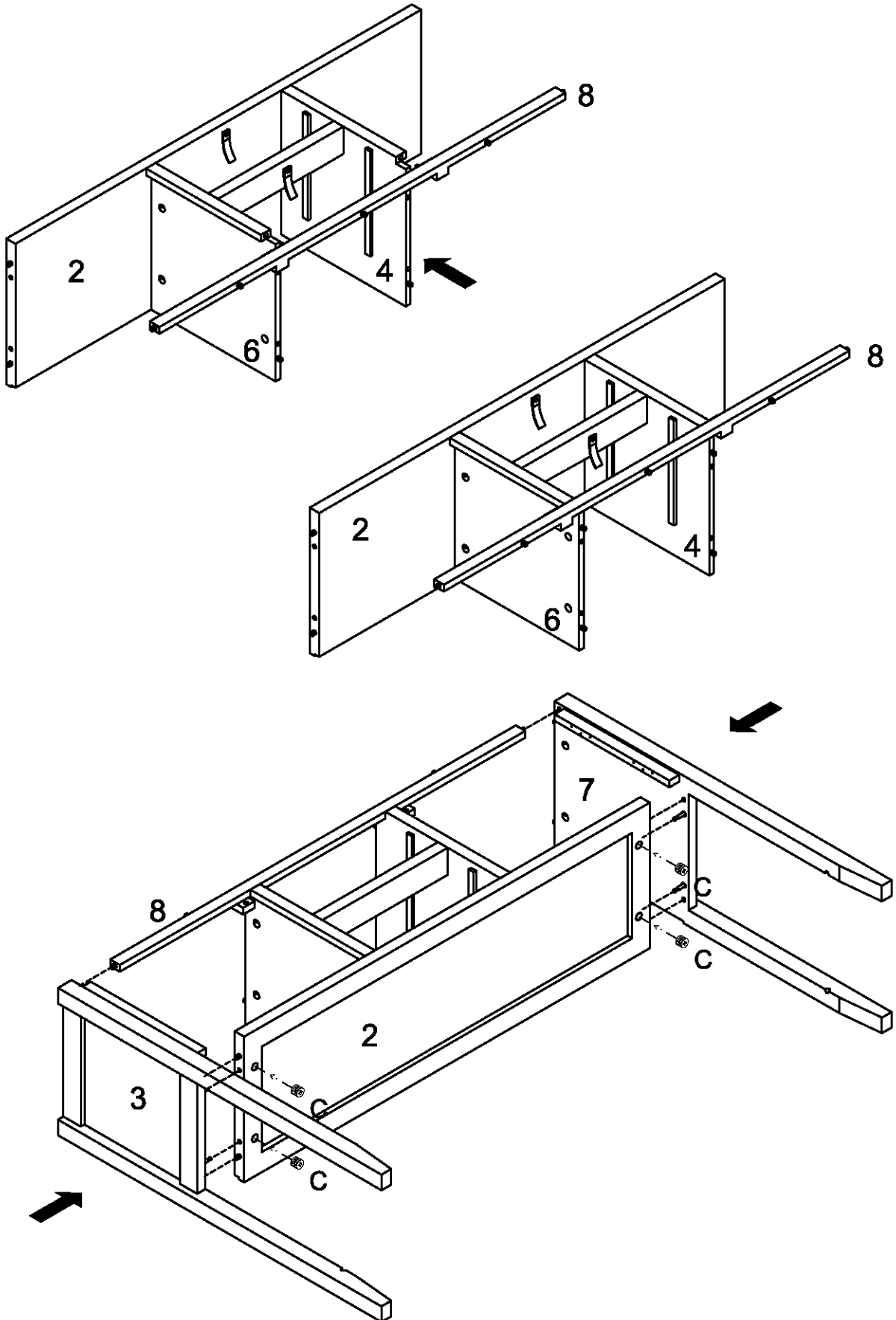
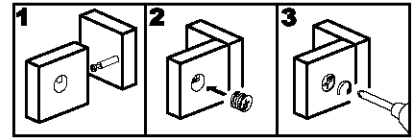


Drawers = 2pcs

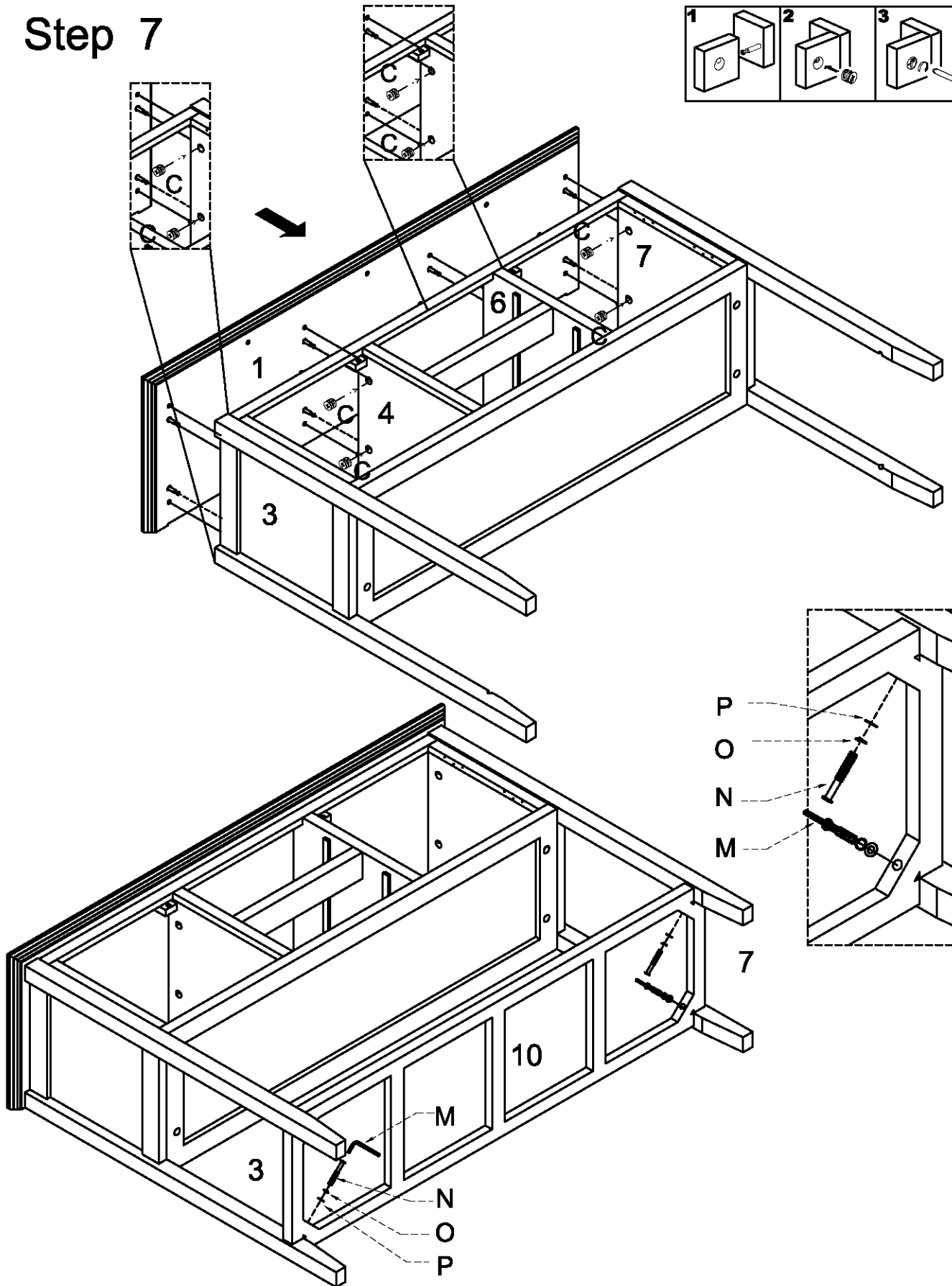
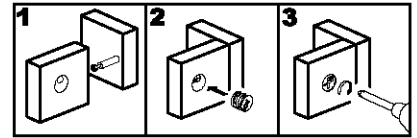
Step 5



Step 6

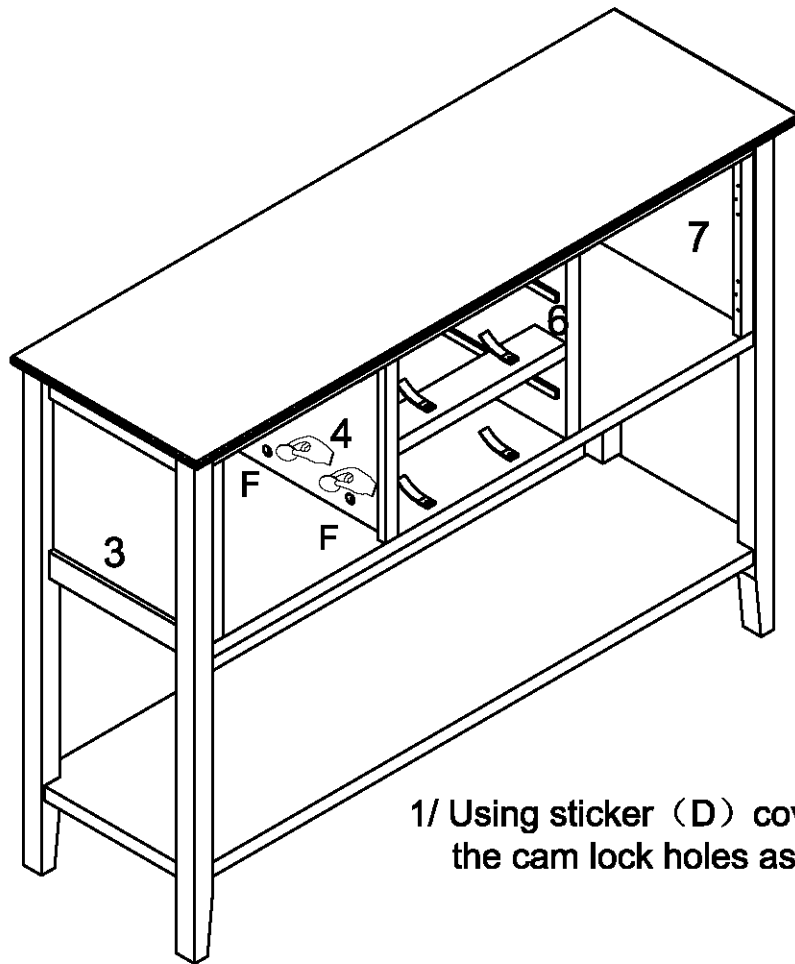


Step 7

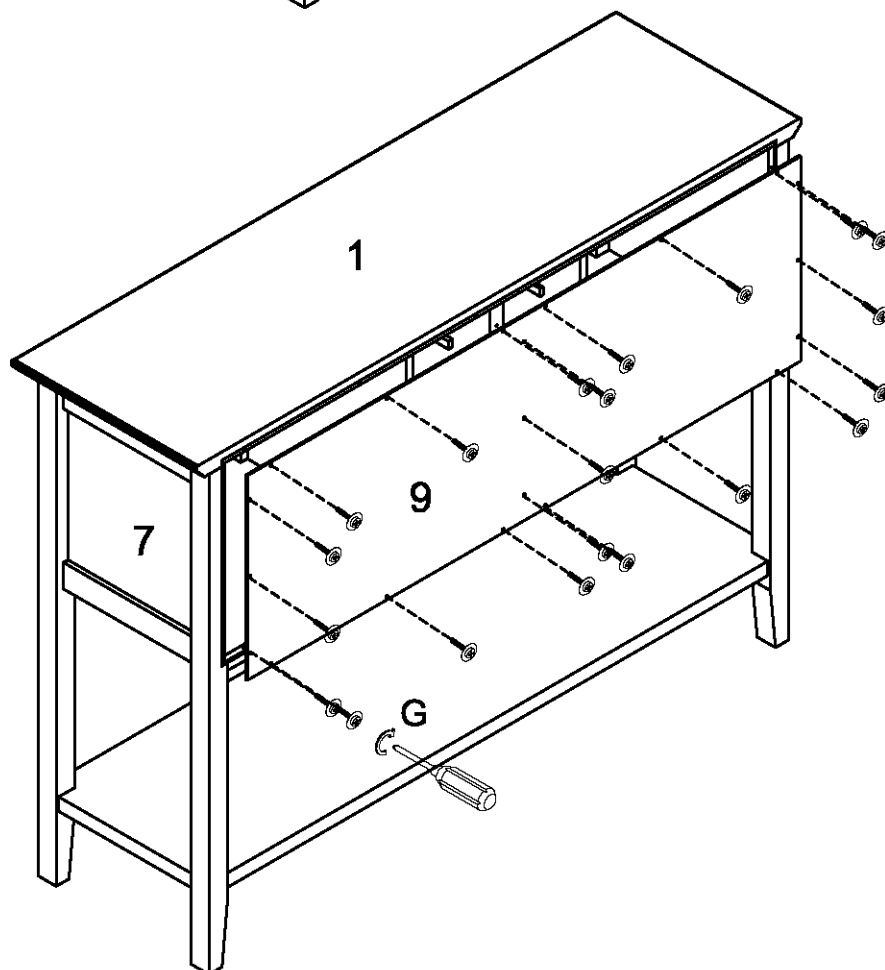


Please align 4 screws (N) and accessories (O/P) with the side plate holes and screw them slightly. Tighten them after adjusting bottom plate (10). Please kindly note that do not tight the screw (N) before adjusting the bottom plate (10)

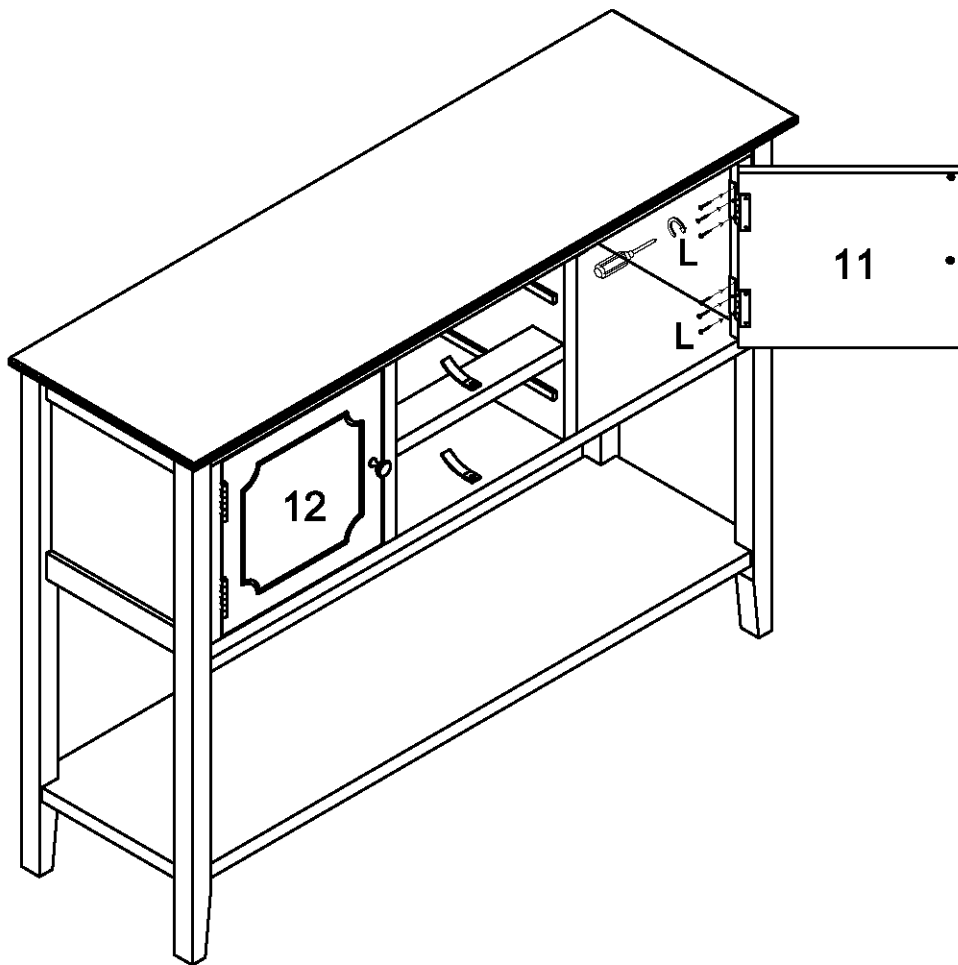
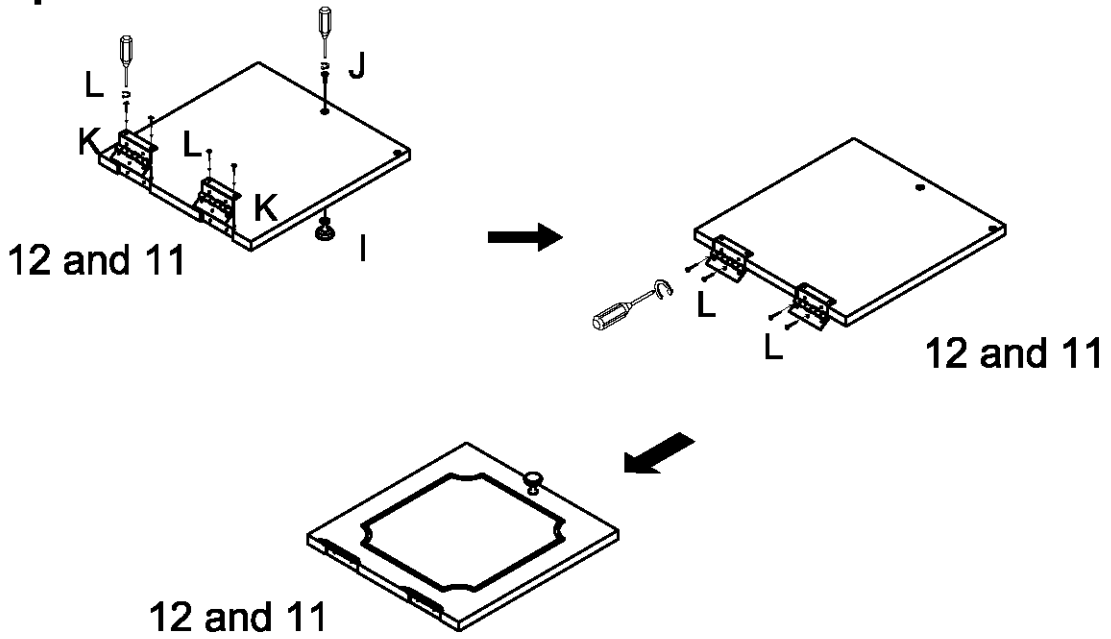
Step 8



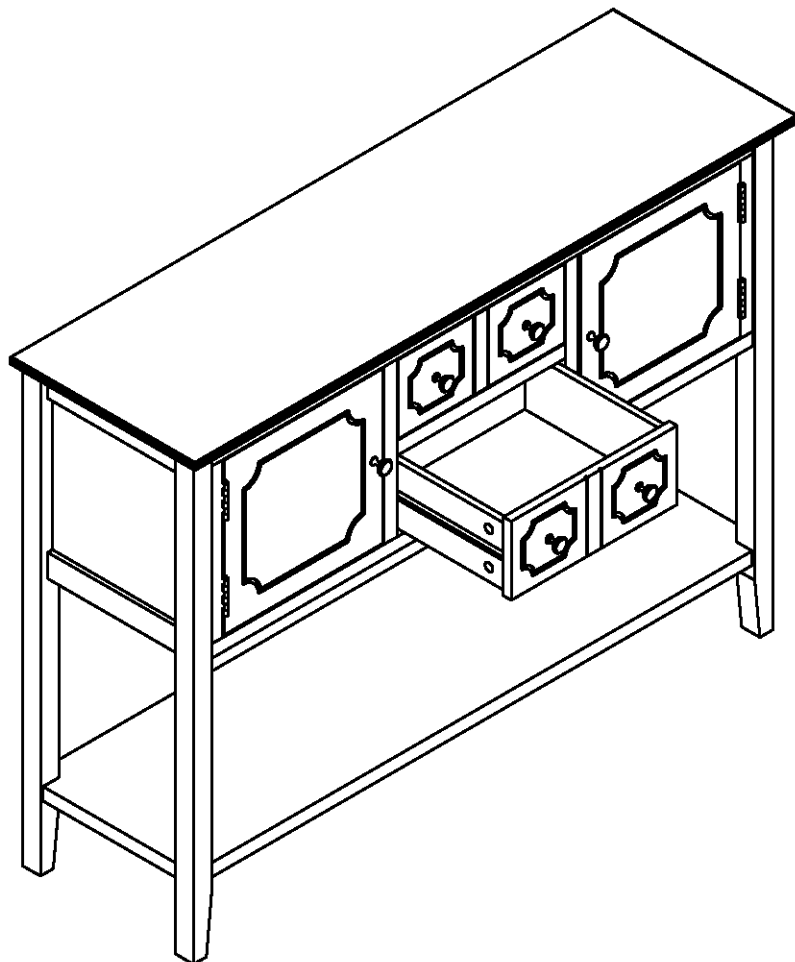
1/ Using sticker (D) cover the cam lock holes as per diagram



Step 9



Step 10

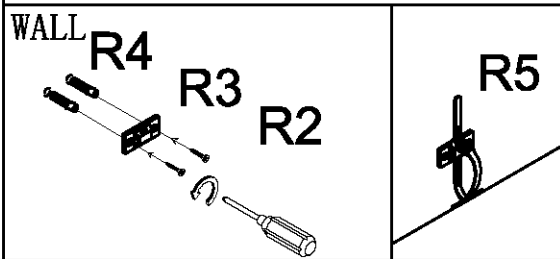
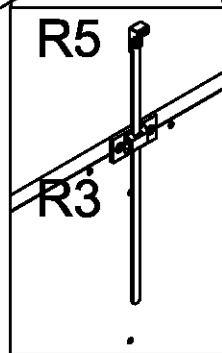
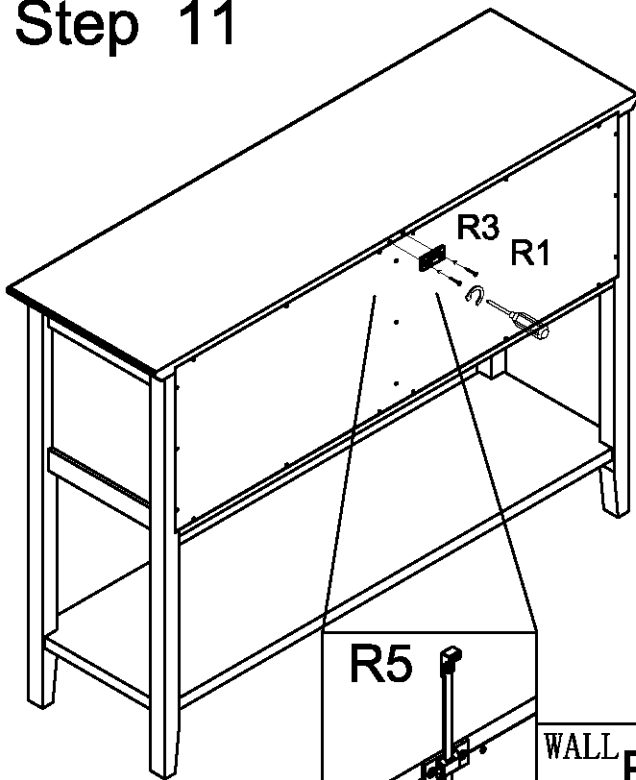


Align groove of the drawer side panel with wooden rail,
pull them in slightly

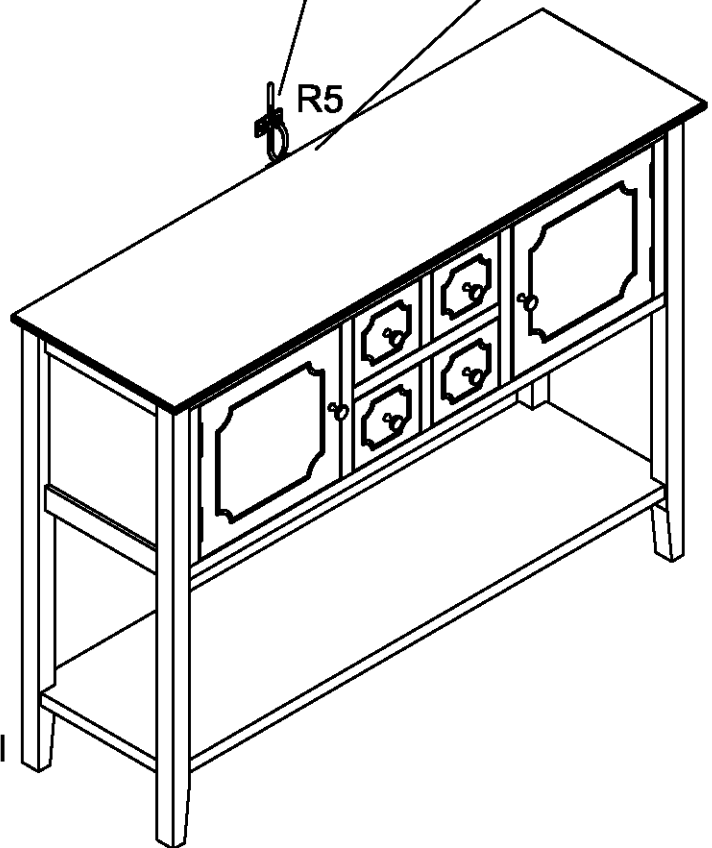
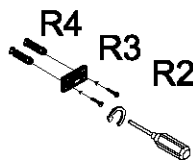
Step 11

WARNING

Serious or fatal injuries can occur from furniture tipping over. To prevent the furniture from tipping over we recommend that it is permanently fixed to the wall. Wall anchor and hardware are included with this product. Please make sure hard is suitable for your walls before installing, as different wall materials may require different types of anchors.

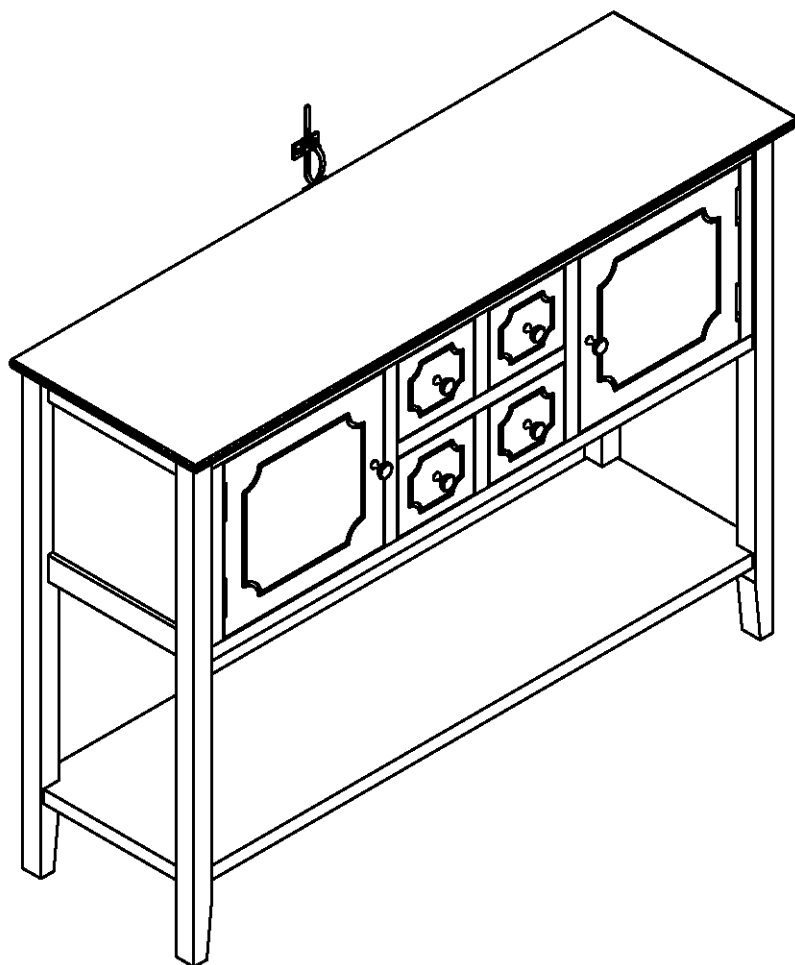


WALL



Insert the plastic nut(R4) into the wall and using screw(R2) fix (R3) with nut(R4) in the wall . The unit is now ready for use.

Step 12



Final Assembly