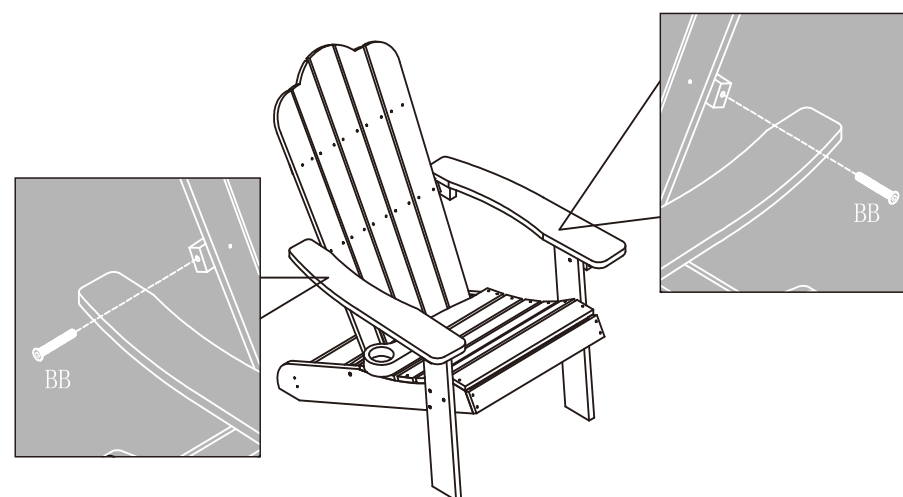


3. Put the left armrest C and the right armrest D with cup holder to the corresponding positions, align the holes of F, insert the screws DD and tighten with the screwdriver, and then tighten the screw nuts.

4. Place A as shown in the picture, align the bottom hole of A with the hole of B and tighten the screws BB with the screwdriver.



5. Align the holes on the top of A with the holes on the back of the two armrests, and tighten the screws BB with the screwdriver.

HomeEasy Industrial CO.,LTD.
1275 Bloomfield Ave, Fairfield, NJ07004.
www.amazon.com/tale

MADE IN CHINA

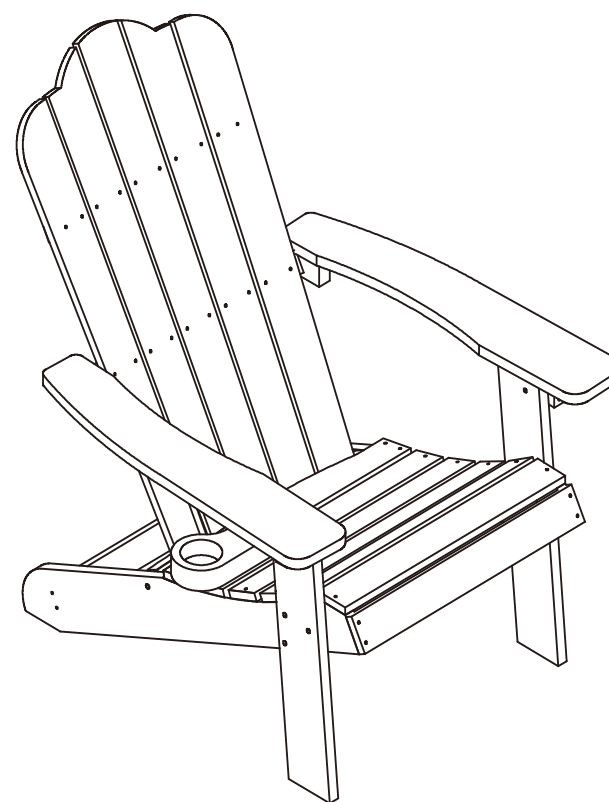
3

TALE

ADIRONDACK CHAIR

Installation Manual

Model No.: AC01



Toll Free 1-844-801-8880

Adirondack Chair Installation Manual

THANKS FOR CHOOSING OUR PRODUCT!

For warranty or repair service: Call 1-844-801-8880 and choose the appropriate prompt, or e-mail tale@homeeasy.net. Please have your product's model number, your name, address, city, state, zip code and phone number ready.

PRODUCT COMPONENTS

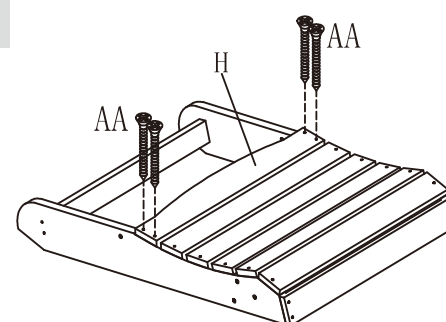
A		Backrest	1 pc
B		Seat	1 pc
C		Left Armrest	1 pc
D		Right Armrest with Cup Holder	1 pc
F		Front Leg	2 pcs
H		Seating Board	1 pc
AA		4*35 Screw	4 pcs
BB		M6*50 Bolt	4 pcs

1

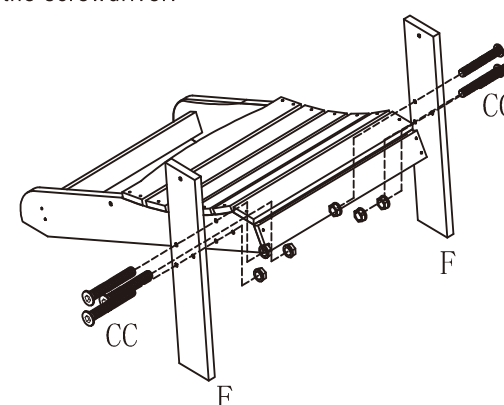
PRODUCT COMPONENTS

CC		M6*50 Bolt	6 pcs
DD		M6*60 Bolt	2 pcs
		Allen wrench	1 pc

Operations



1. Place B and H as shown in the figure, put 4 screws AA into corresponding holes and tighten them with the screwdriver.



2. Align the holes of F and B as shown in the figure, insert 6 screws CC into the holes, tighten them with the screwdriver, and then tighten the screw nuts.

2