

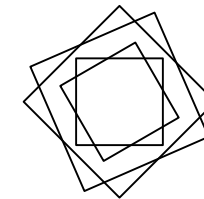
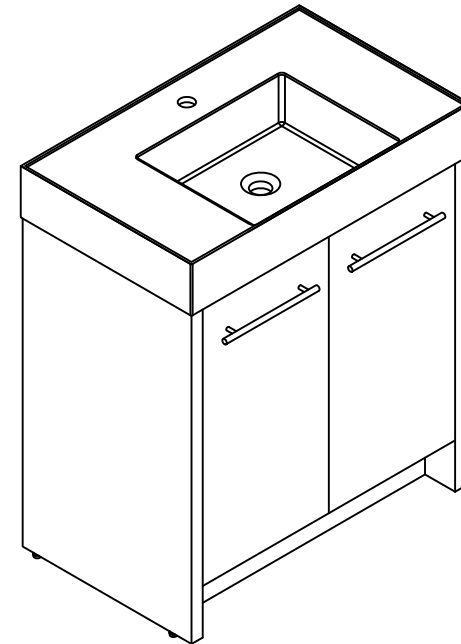
Installation Manual-

BV B09224
BV B09230
BV B09236

**MOTIVATE
YOUR LIFE !**

THANKS FOR WATCHING

Your feedback is invaluable to us and we would love to hear about your experience. Please take the time to leave us a review.









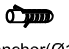

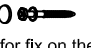


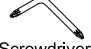



Thank you for shopping with us!

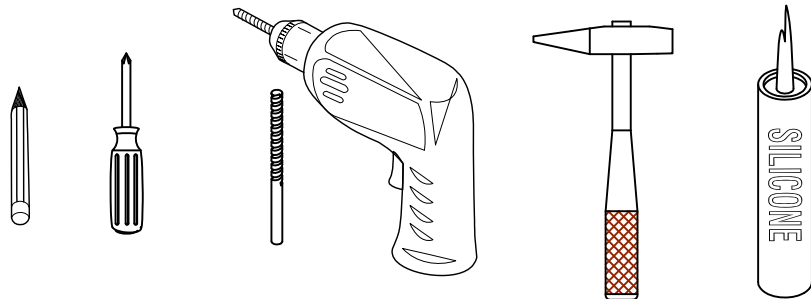
We encourage you to take a few minutes to go through this booklet. It contains important information on installation and care tips to keep your furniture looking as good as new.

Item NO.:BV B09224 / BV B09230 / BV B09236

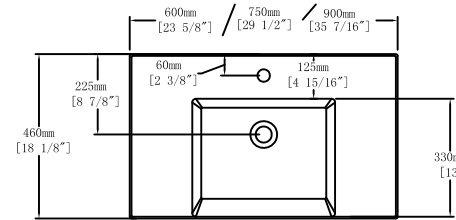
Hardware

NO.	Draw	QTY	NO.	Draw	QTY
A	 Screws Ø4x14mm	44	I	 Hinges (Internal hiding)	4
B	 Two-in-one connector	24	J	 Handles	2
C	 Two-in-one connector	24	K	 Screws M4x20mm	4
D	 Wood plug	4	L	 Anti-collision gasket	4
E	 Plastic anchor(Ø10mm)	2	M	 Movable laminate support	4
F	 Screws for fix on the wall	2	N	 Adjustable feet	4
G	 Bracket (53x70x44mm)	2	O	 Screwdriver	1
H	 Bracket (19x19x35mm)	2			

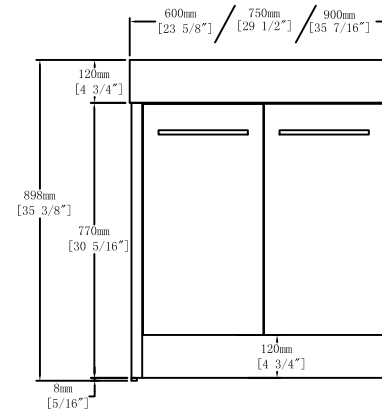
Recommended tools



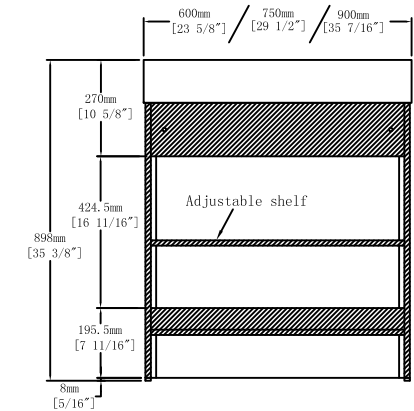
Dimensions



Top View



Front View

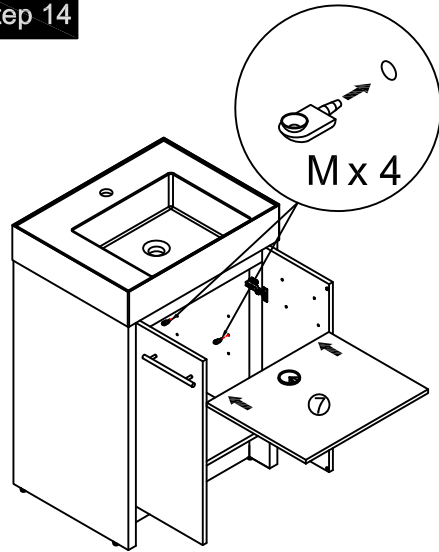


Back View

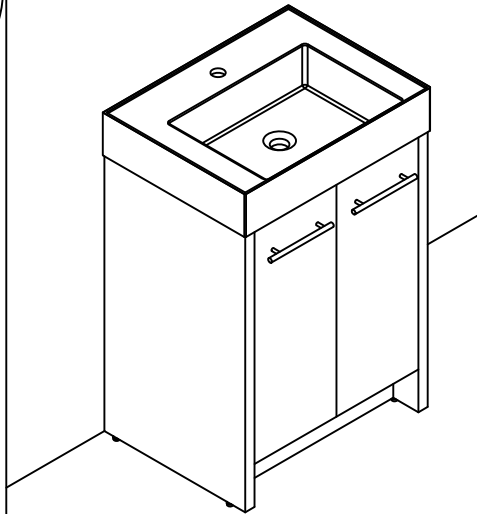
CARE CLEANING AND MAINTENANCE

1. Dust regularly with a soft , dry cloth.
2. Avoid the use of all chemicals household cleaners, abrasives, or cleaners that contain lemon, vinegar, or other acids that may damage the finish.
3. Excessive exposure to sunlight and extreme changes in temperature and moisture can damage wood furniture.
4. The sink top is resilient, but care needs to be taken to preserve its appearance.
5. Do not place hot appliances, such as curling irons and hot hair dryers directly on the countertop. Wipe spills immediately.

Step 14

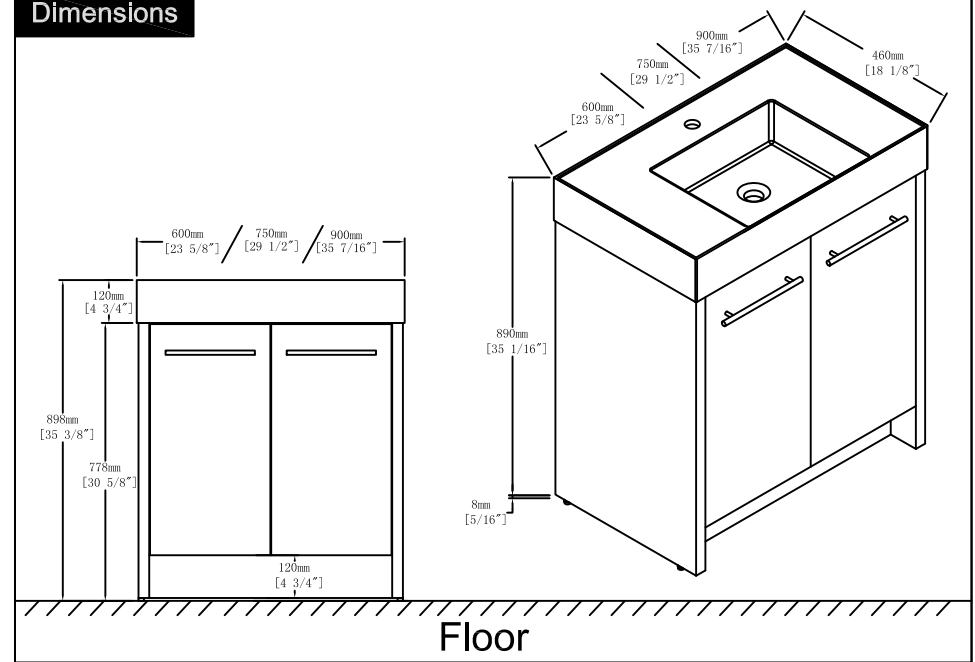


Finished

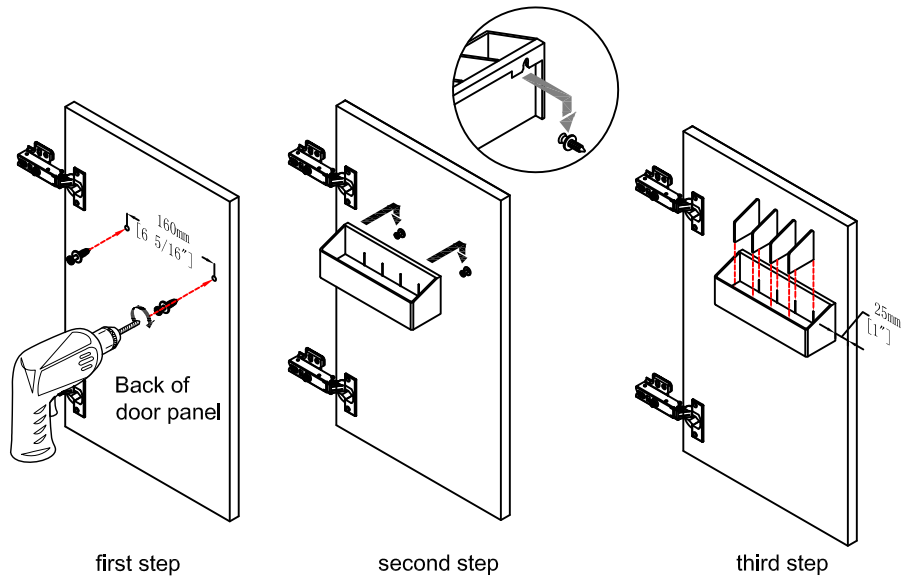


Notes:
The installation position can be selected according to the required height.

Dimensions



Procedure for installing the plastic box

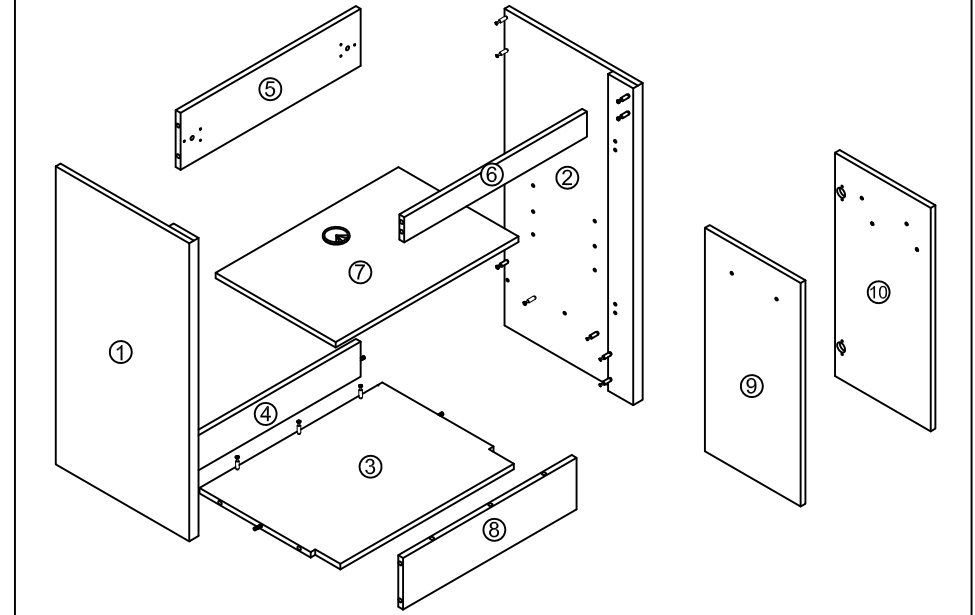


first step

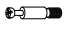

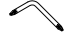
second step

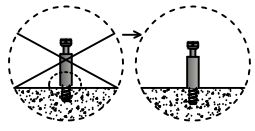
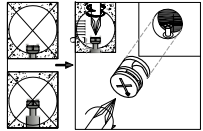
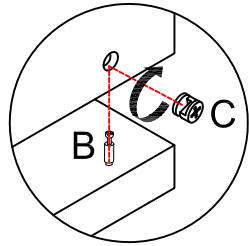
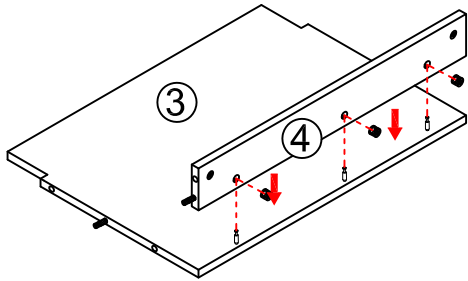
third step

Components



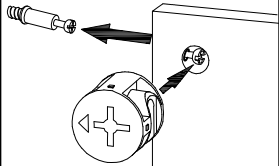
Step 1

-  x3
- B**
-  x3
- C**
- 
- O**

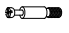




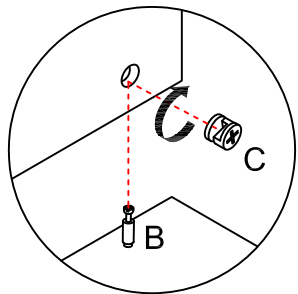
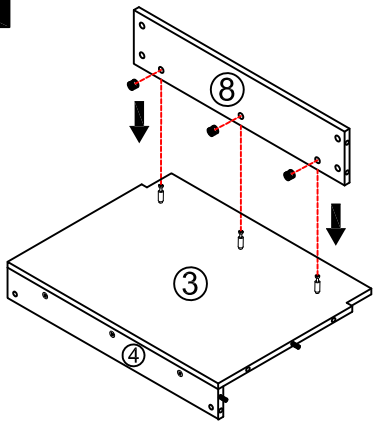
Notes: Screw installation depth as shown

Attention: The lock handle arrow points to the side face.



Step 2

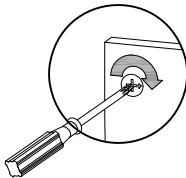
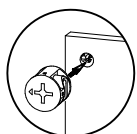
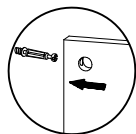
-  x3
- B**
-  x3
- C**
- 
- O**



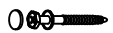

first step

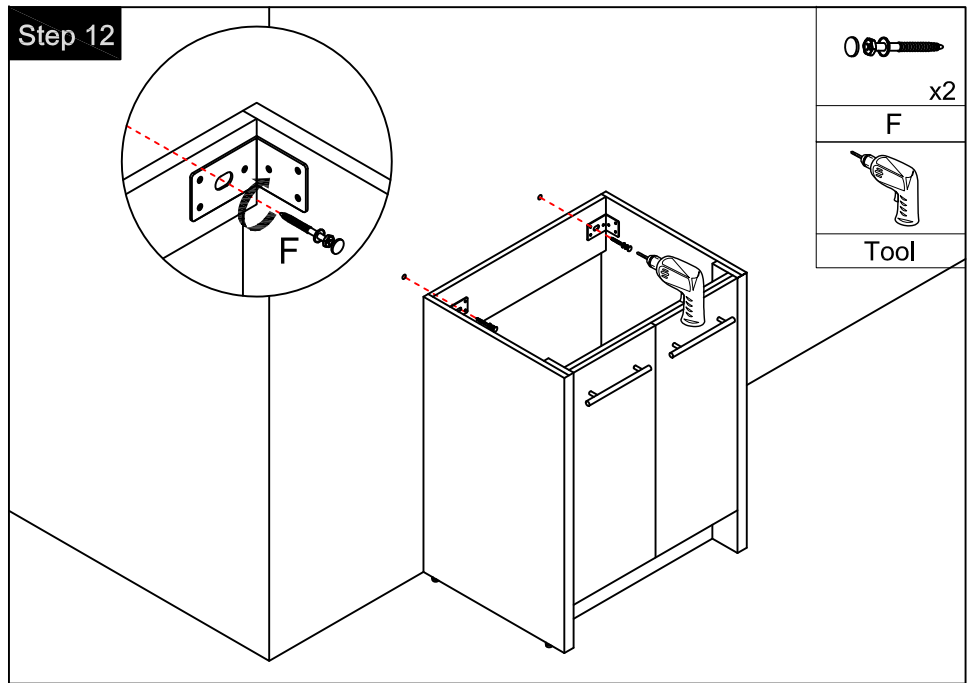
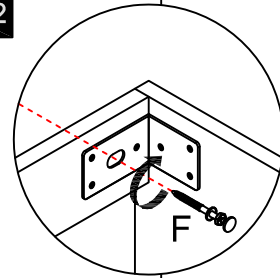
second step

third step

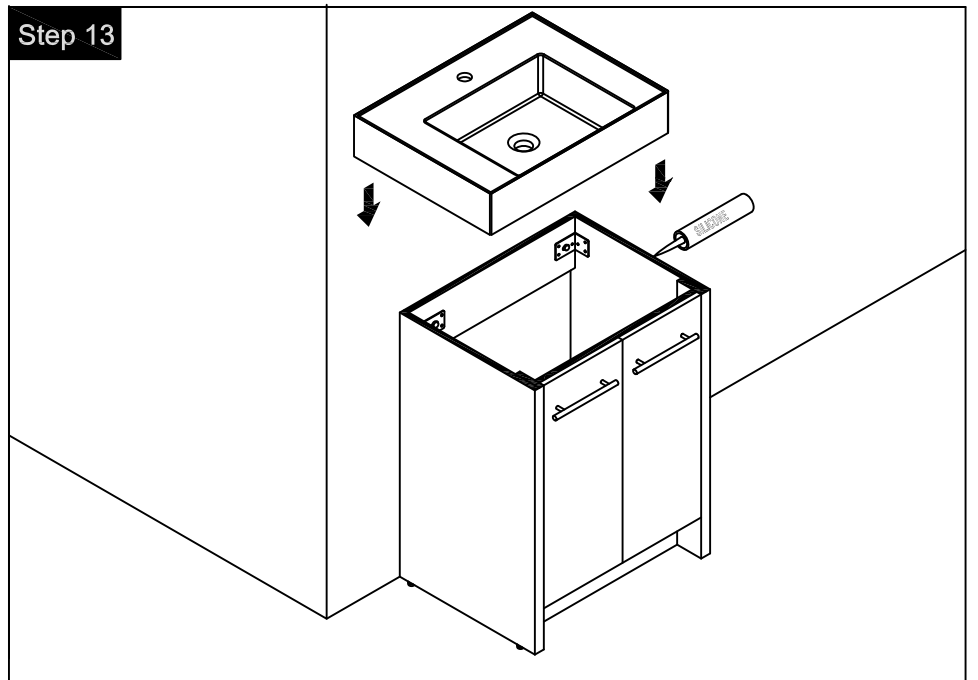


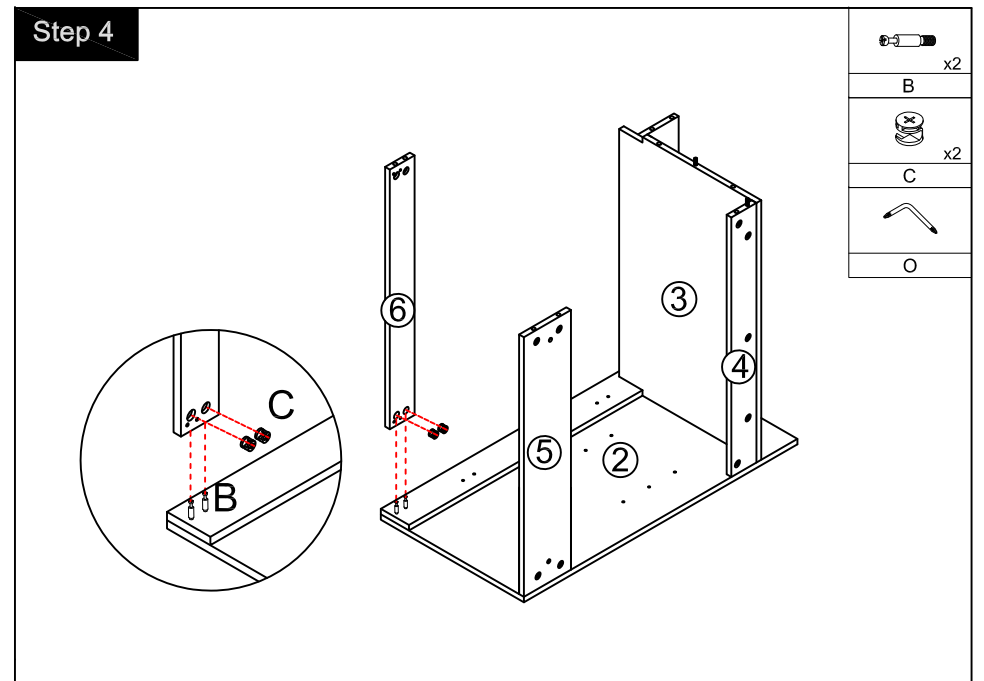
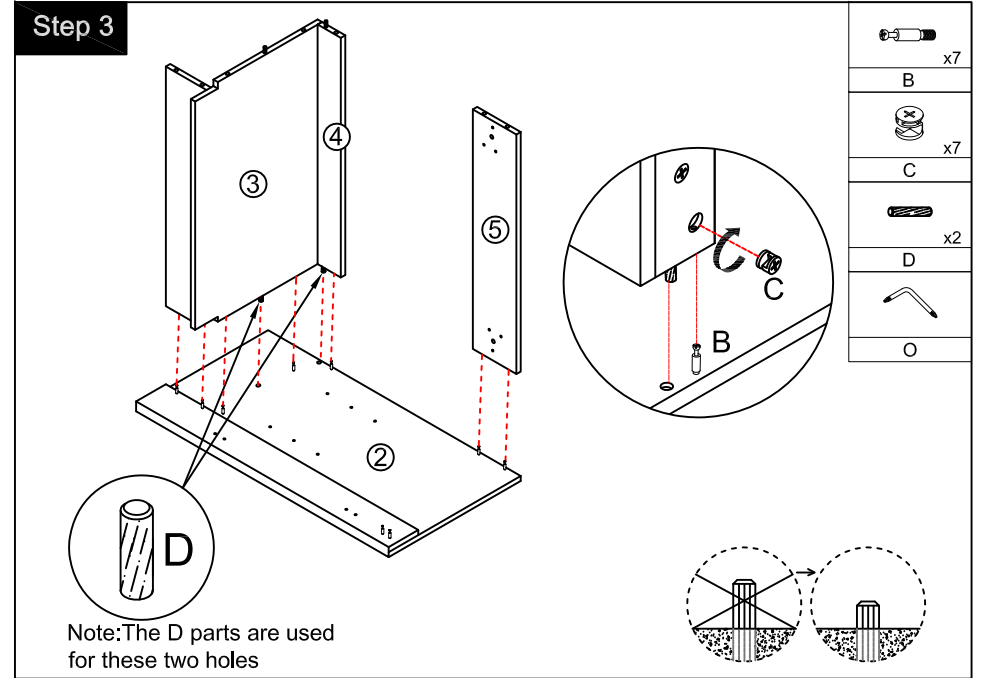
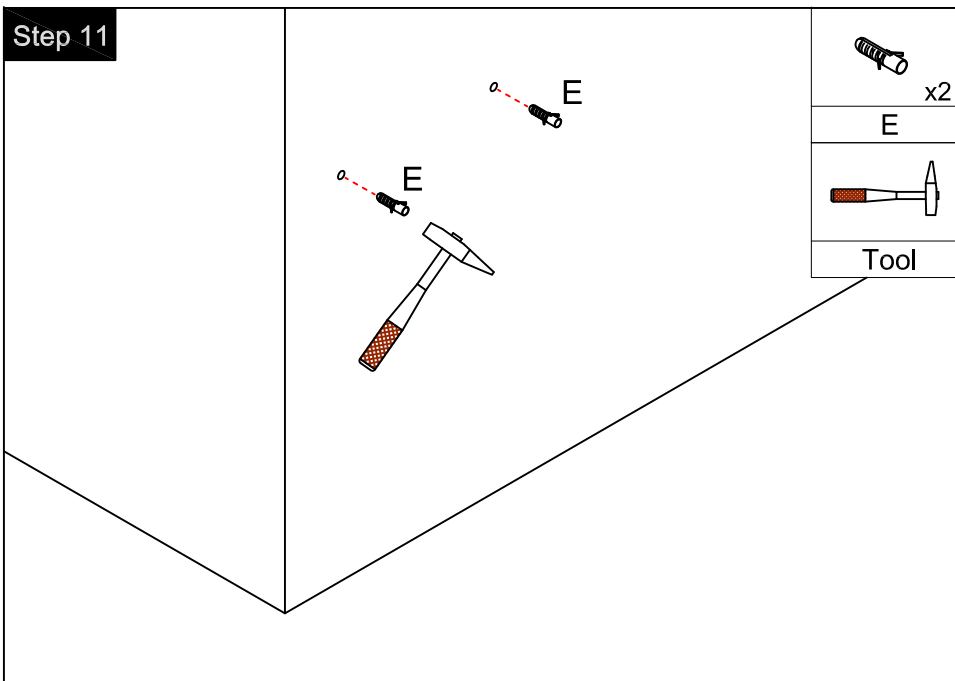
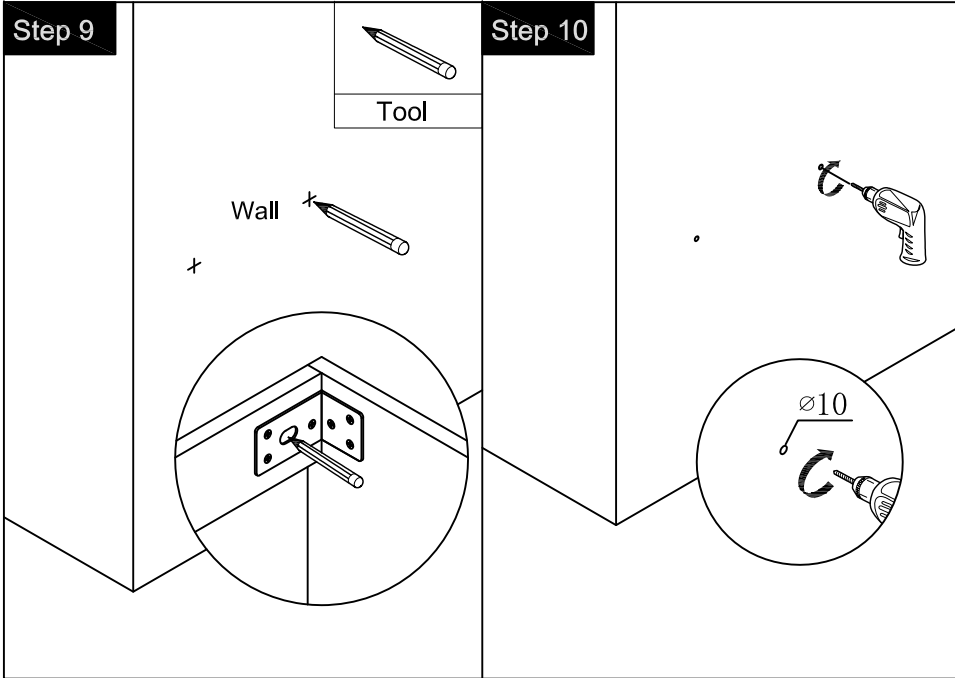
Step 12

-  x2
- F**
- 
- Tool**

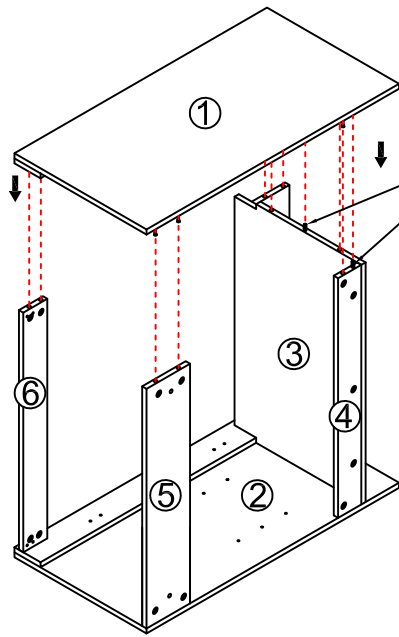


Step 13

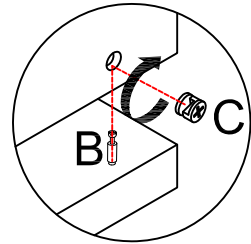




Step 5

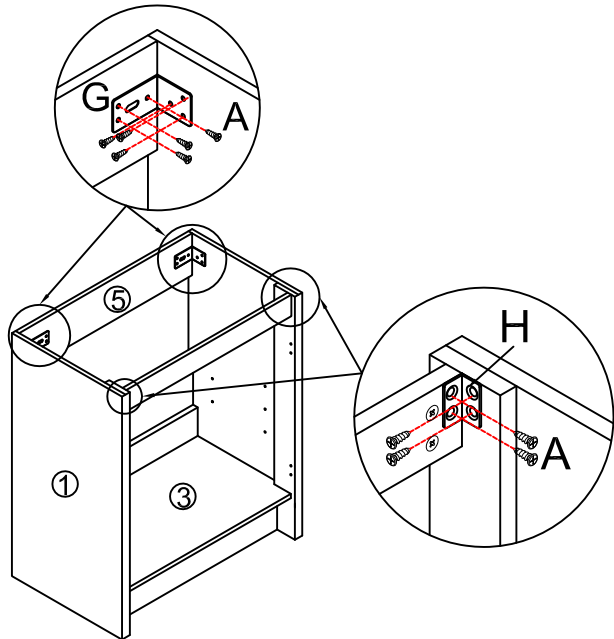


Note: The D parts are used for these two holes



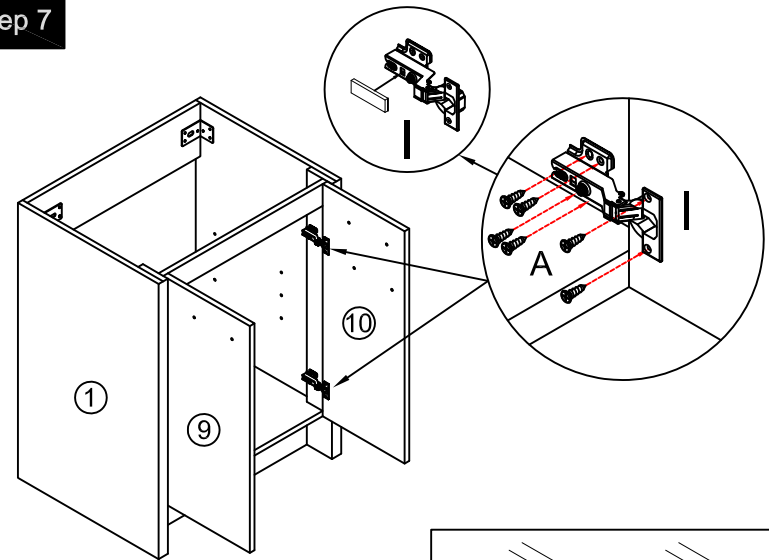
	x9
B	
	x9
C	
	x2
D	
O	

Step 6

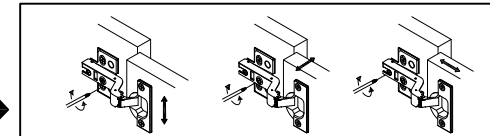


	x2
G	
	x2
H	
($\varnothing 4 \times 14\text{mm}$)	
	x20
A	
Tool	

Step 7

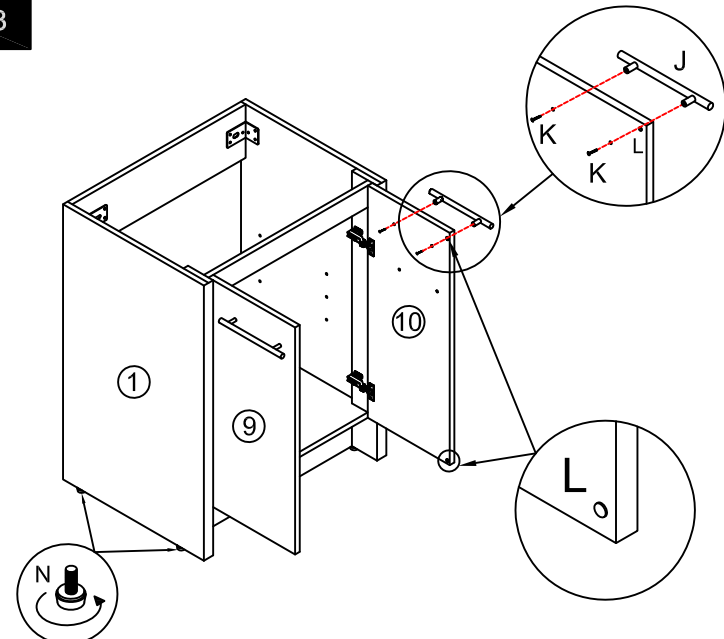


You can adjust the doors by tightening or loosening the screws on the hinge. →



	x4
I	
($\varnothing 4 \times 14\text{mm}$)	
	x24
A	
Tool	

Step 8



Note: Install and adjust the level screws

	x2
J	
(M4 x20mm)	
	x4
K	
	x4
L	
	x4
N	