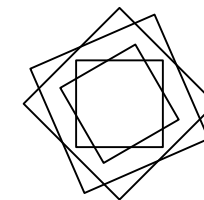
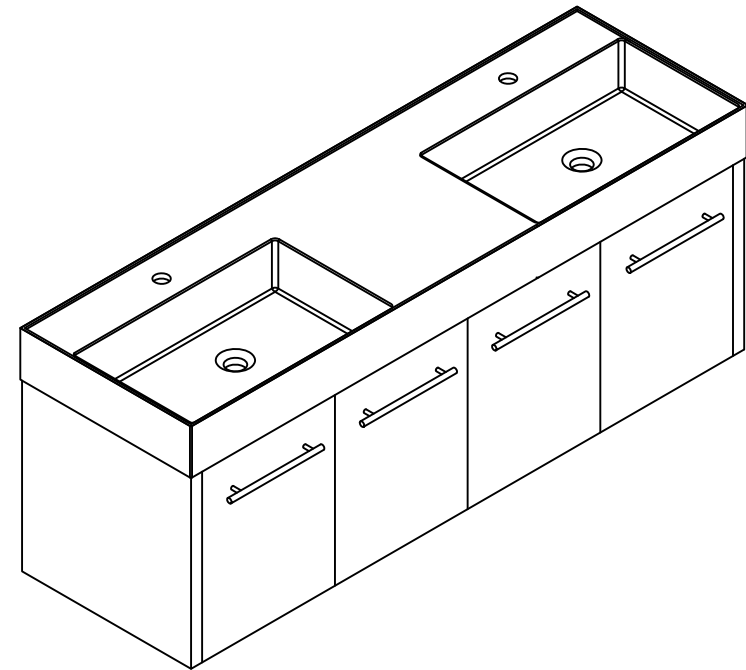


Installation Manual-BV B09160

**MOTIVATE
YOUR LIFE !**

THANKS FOR WATCHING

Your feedback is invaluable to us and we would love to hear about your experience. Please take the time to leave us a review.


















Thank you for shopping with us!

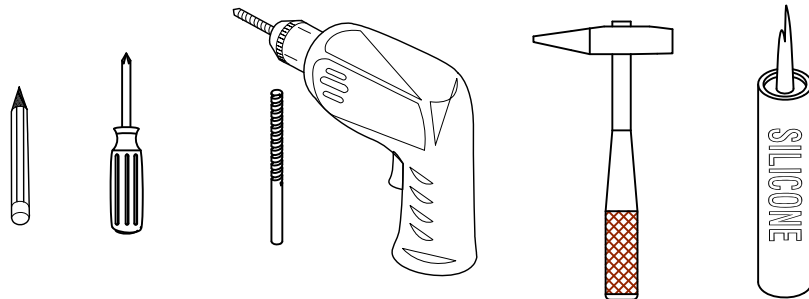
We encourage you to take a few minutes to go through this booklet. It contains important information on installation and care tips to keep your furniture looking as good as new.

Item NO.:BV B09160

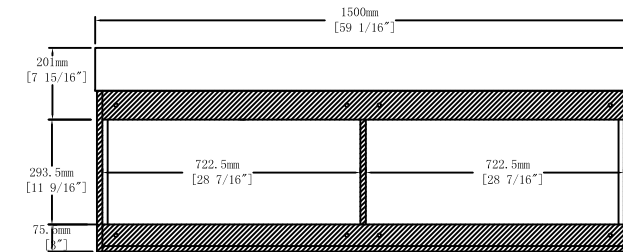
Hardware

NO.	Draw	QTY	NO.	Draw	QTY
A	 Screws Ø4x14mm	80	I	 Hinges (Internal hiding)	4
B	 Two-in-one connector	24	J	 Hinges (Half cover)	4
C	 Two-in-one connector	24	K	 Screws Ø4x25mm	1
D	 Wood plug	5	L	 Handles	4
E	 Plastic anchor(Ø10mm)	8	M	 Screws M4x20mm	8
F	 Screws for fix on the wall	8	N	 Anti-collision gasket	8
G	 Bracket (53x70x44mm)	4	O	 Screwdriver	1
H	 Bracket (19x19x35mm)	2			

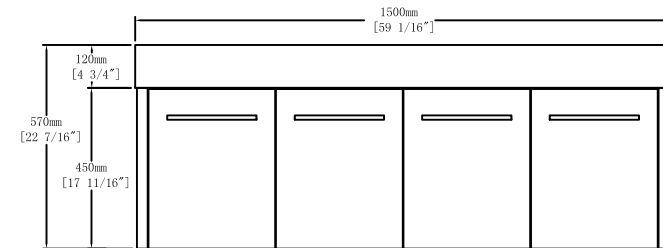
Recommended tools



Dimensions



Back View

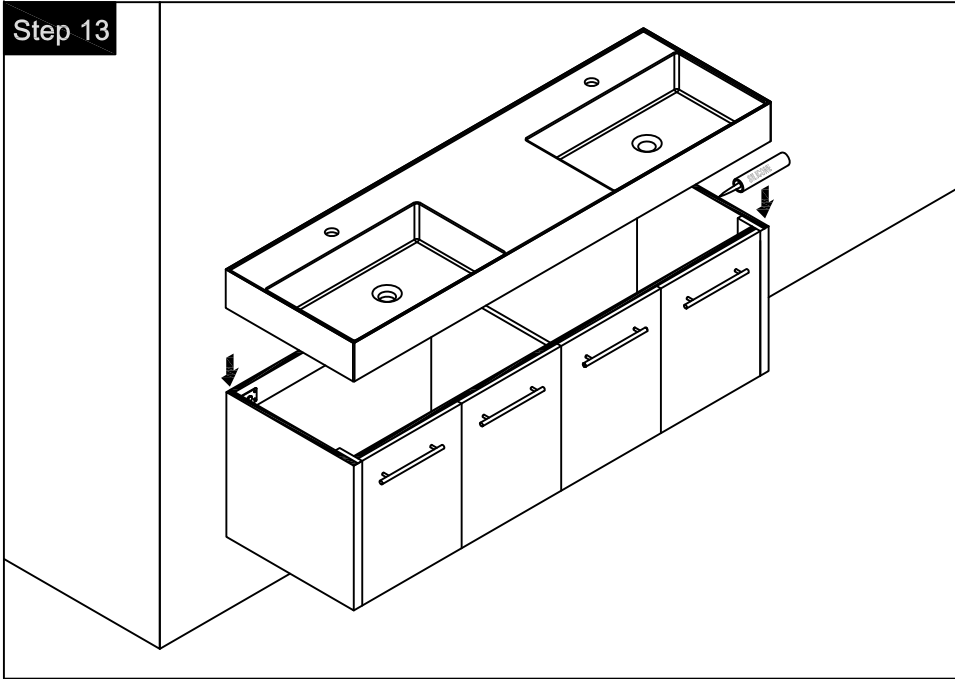


Front View

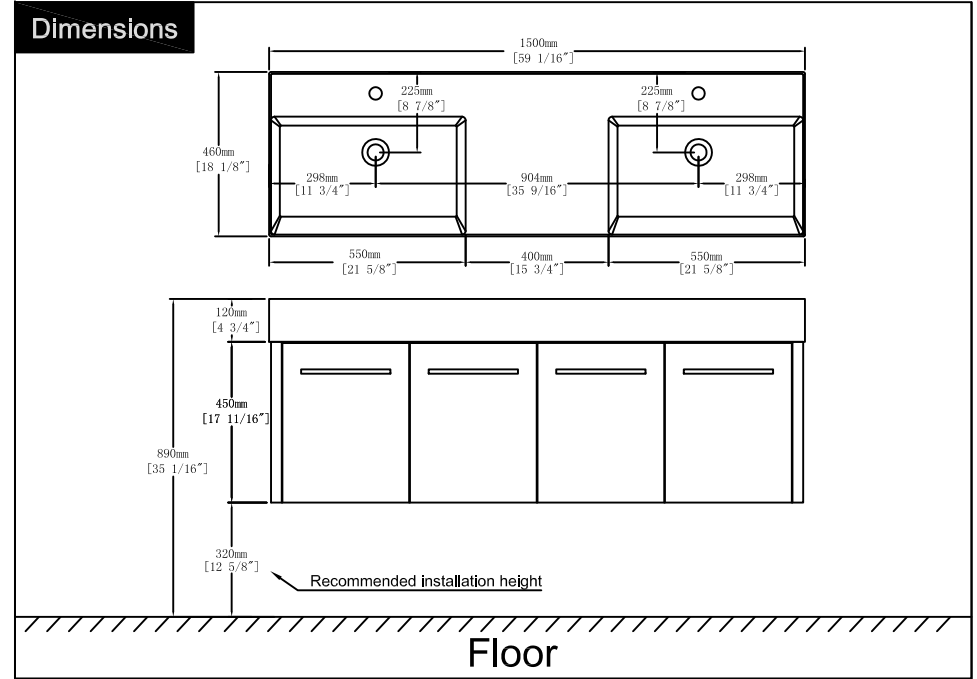
CARE CLEANING AND MAINTENANCE

1. Dust regularly with a soft , dry cloth.
2. Avoid the use of all chemicals household cleaners, abrasives, or cleaners that contain lemon, vinegar, or other acids that may damage the finish.
3. Excessive exposure to sunlight and extreme changes in temperature and moisture can damage wood furniture.
4. The sink top is resilient, but care needs to be taken to preserve its appearance.
5. Do not place hot appliances, such as curling irons and hot hair dryers directly on the countertop. Wipe spills immediately.

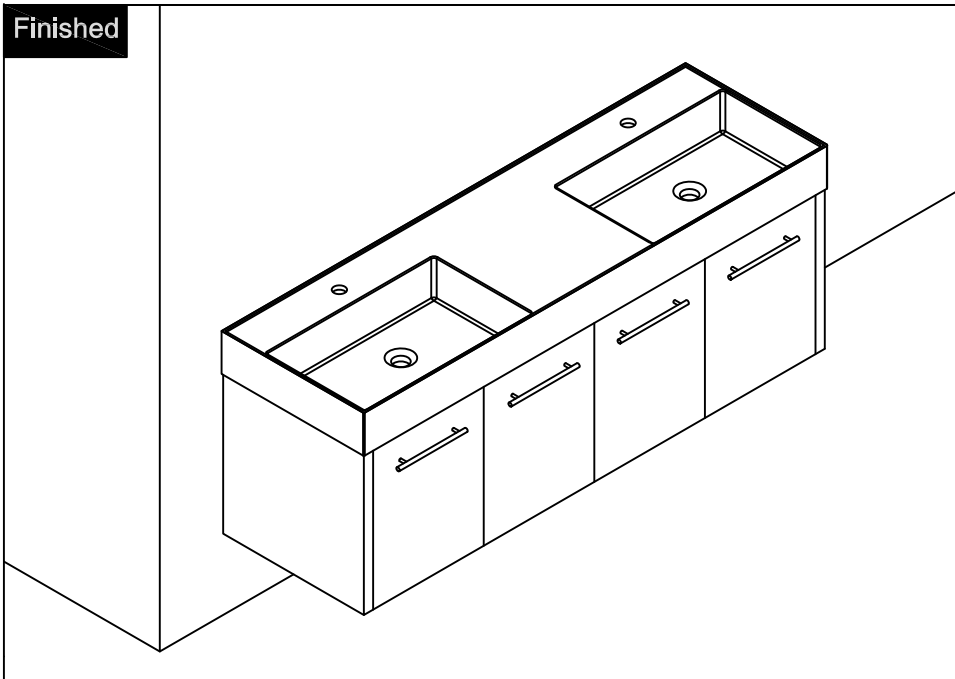
Step 13



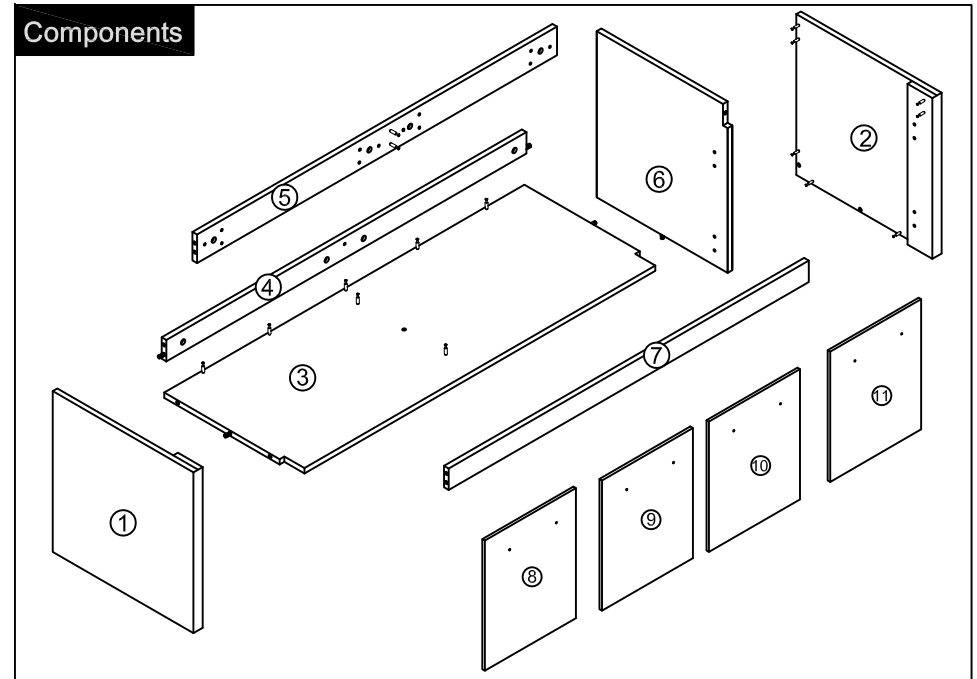
Dimensions



Finished



Components



Step 1

	x5
B	
	x5
C	
O	

Attention: Cam lock arrow point to the steel rod.

Notes: Screw installation depth as shown

Step 2

Note: The D parts are used for this hole.

	x2
Tool	B
	x2
C	
	x1
D	
	x1
O	
K	
O	

Notes: Screw installation depth as shown

first step second step third step

Step 11

	x8
E	
Tool	

Attention: Cam lock arrow point to the steel rod.

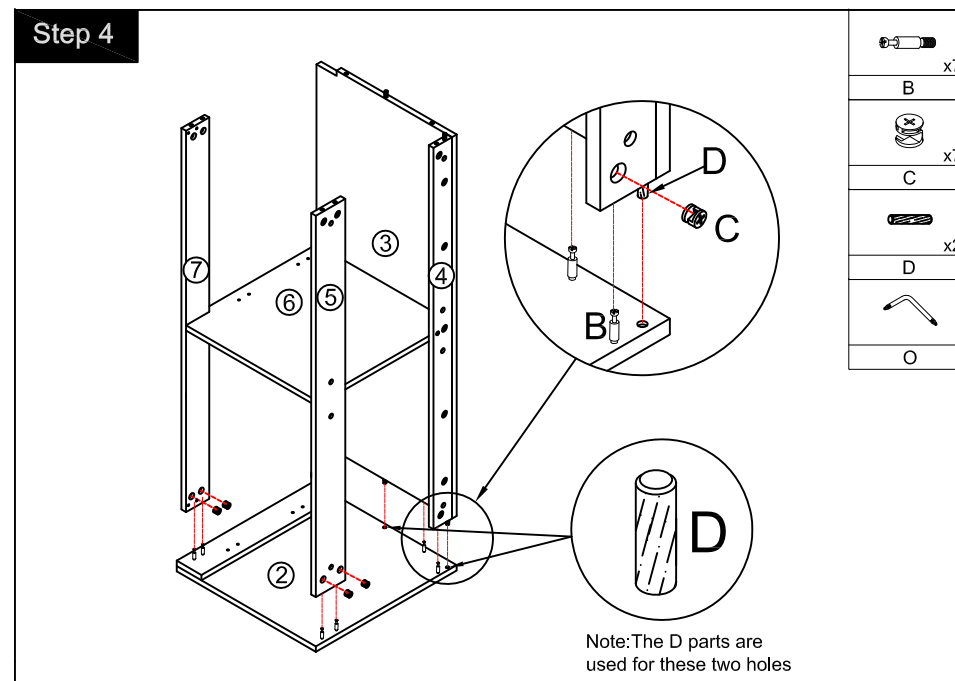
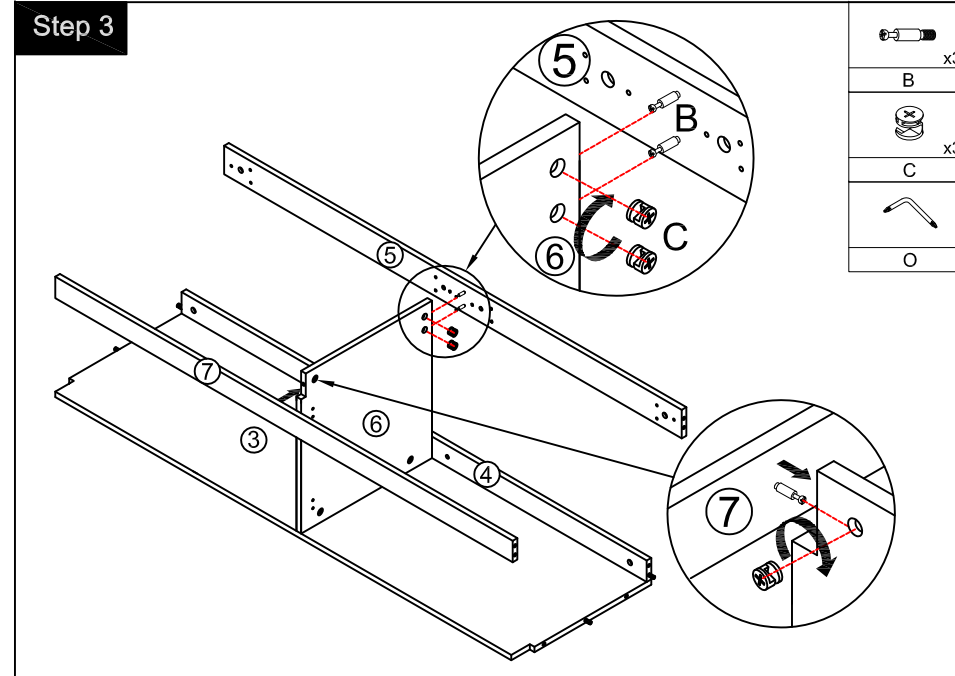
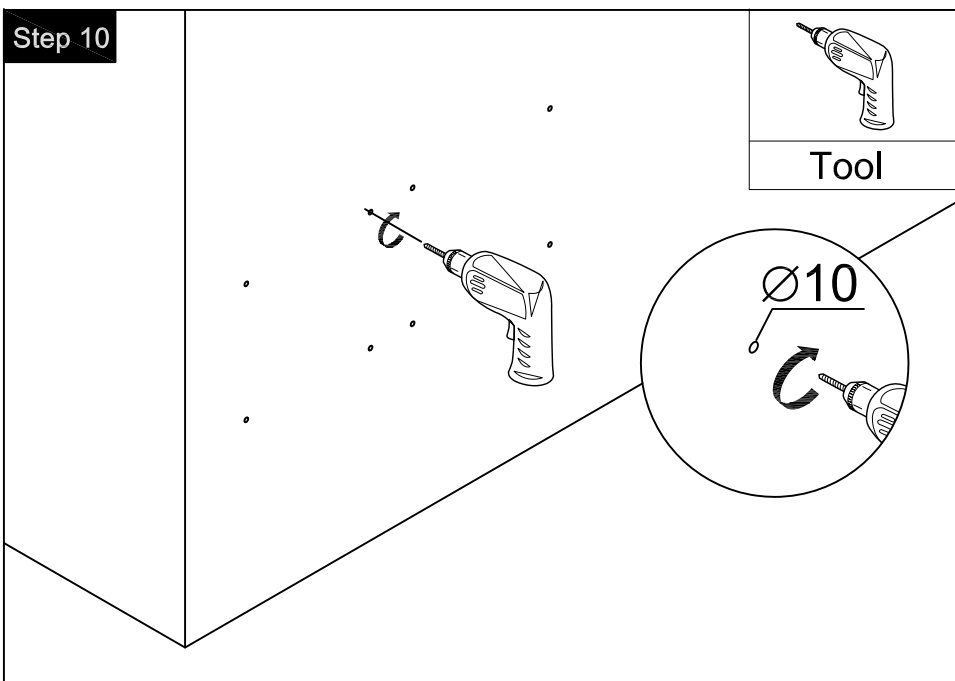
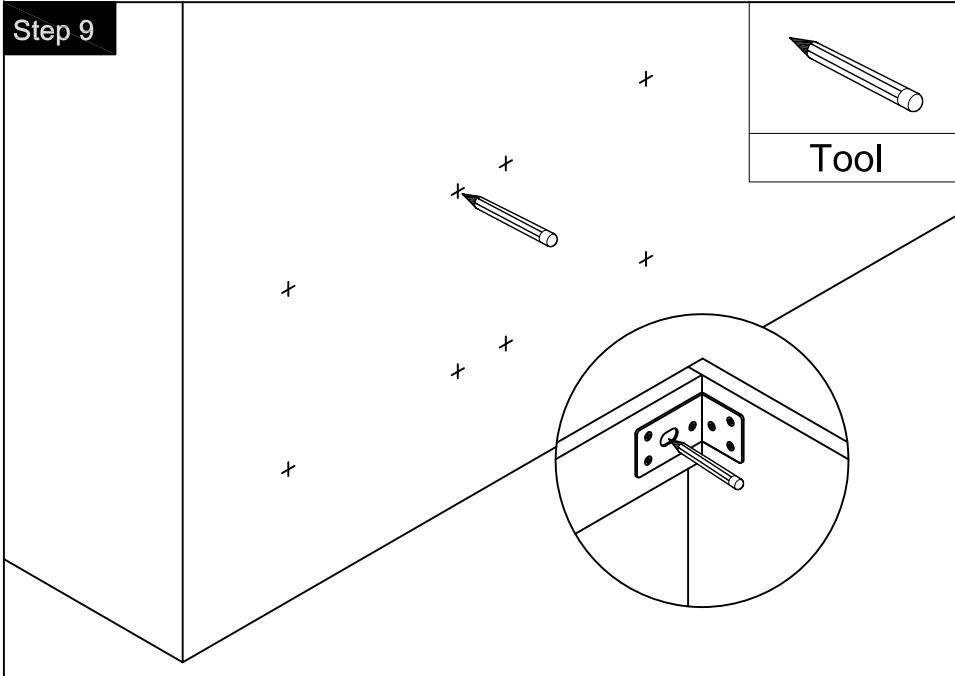
Notes: Screw installation depth as shown

Step 12

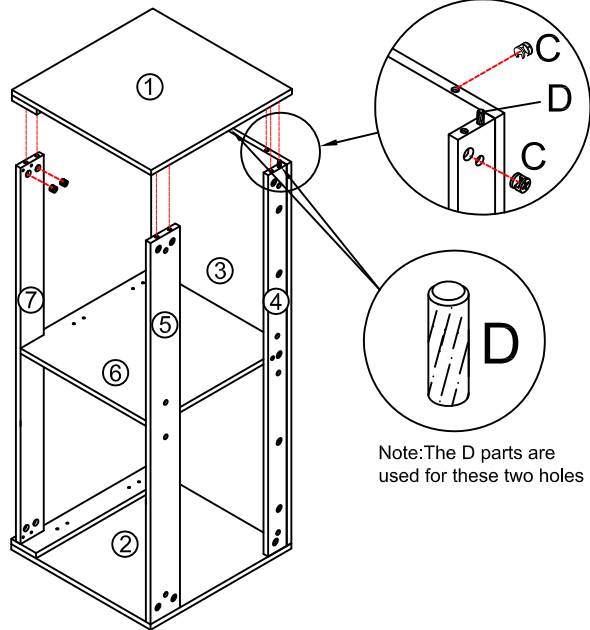
	x8
F	
Tool	

Attention: Cam lock arrow point to the steel rod.

Notes: Screw installation depth as shown



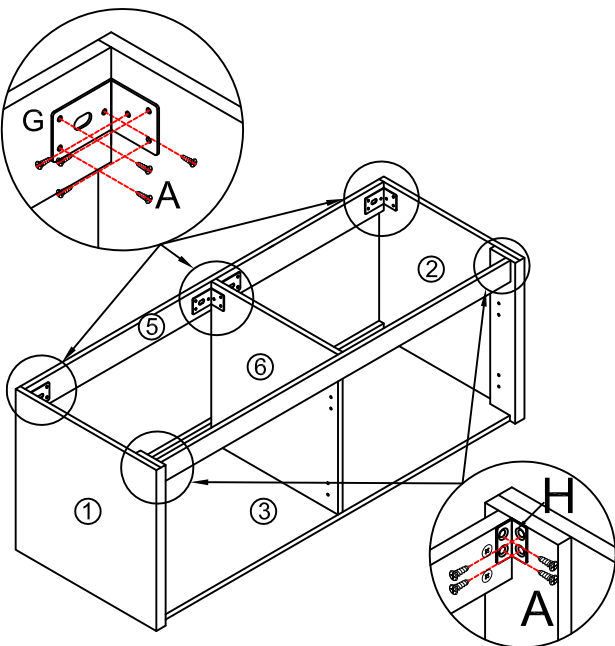
Step 5



Note: The D parts are used for these two holes

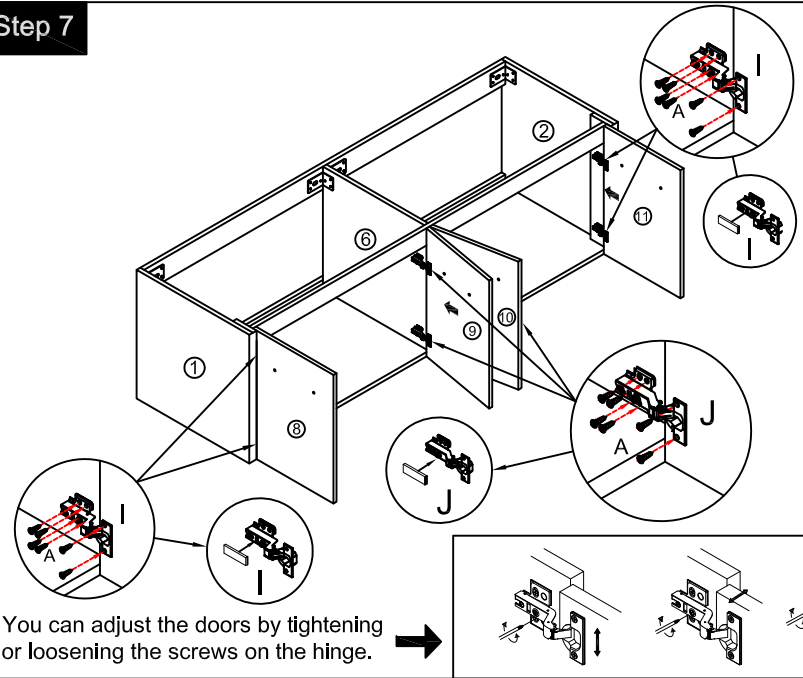
	x7
B	
	x7
C	
	x2
D	
O	

Step 6



	x4
G	
	x2
H	
($\varnothing 4 \times 14\text{mm}$)	
	x32
A	
O	
Tool	

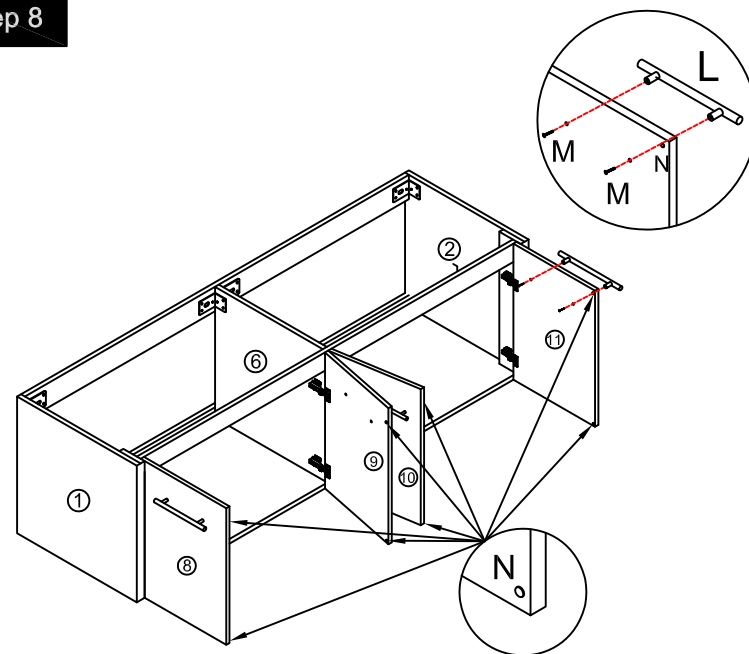
Step 7



You can adjust the doors by tightening or loosening the screws on the hinge. →

	x4
I	
	x4
J	
($\varnothing 4 \times 14\text{mm}$)	
	x48
A	
O	
Tool	

Step 8



	x4
L	
(M4 x 20mm)	
	x8
M	
	x8
N	
O	