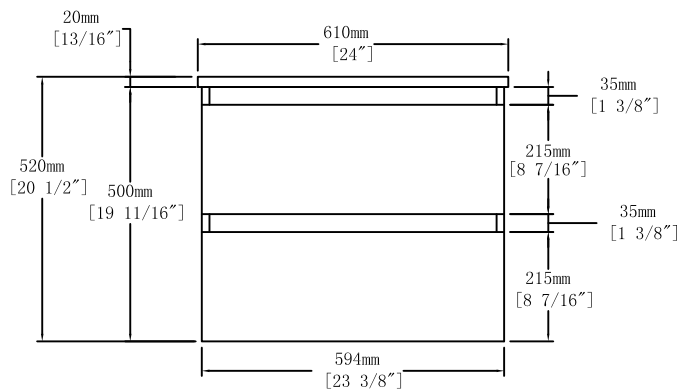
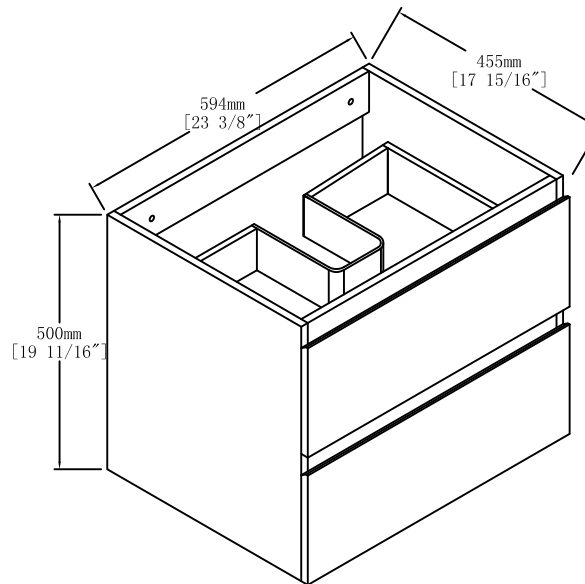
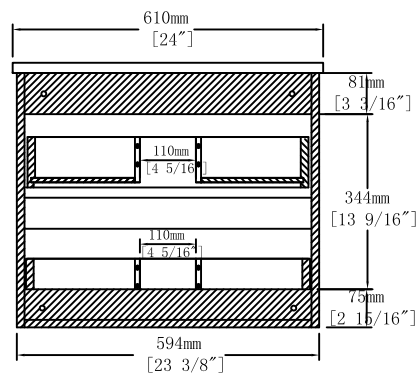


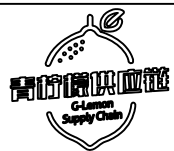
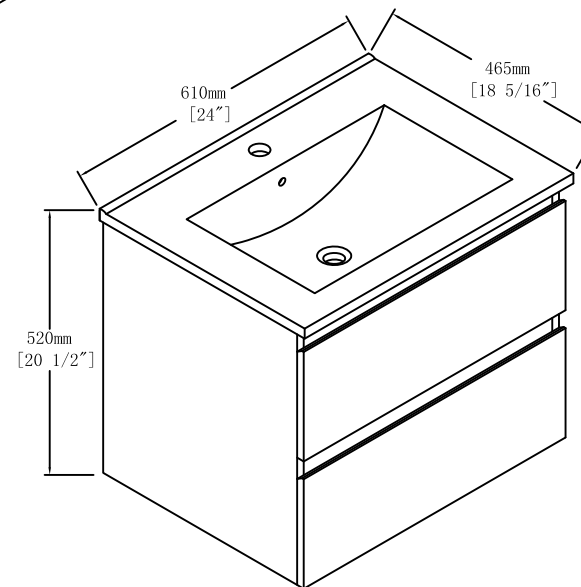
Top View



Front View



Back View



Item NO.

BV B01924-1

Version

V1

Project

Date

2024-3-19