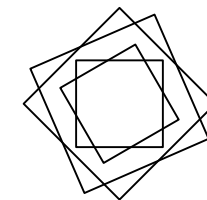
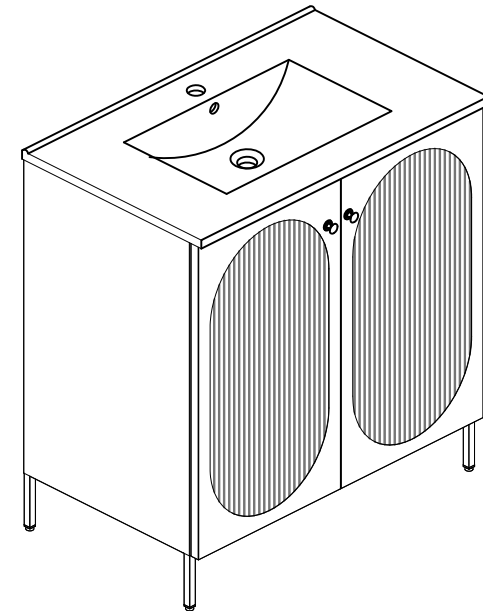


## THANKS FOR WATCHING

Your feedback is invaluable to us and we would love to hear about your experience. Please take the time to leave us a review.


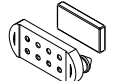


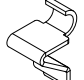


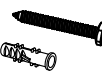
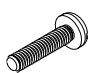




## Thank you for shopping with us!

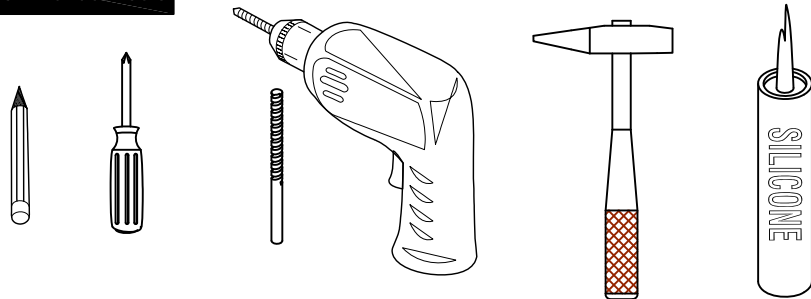
We encourage you to take a few minutes to go through this booklet. It contains important information on installation and care tips to keep your furniture looking as good as new.

Item NO.:BV B09630

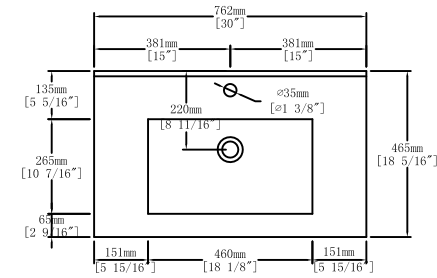
Hardware

NO.	Draw	QTY	NO.	Draw	QTY
A	 Screws M4x8mm	6	F	 Silicone sleeve magnetic suction	4
B	 Screws M6x12mm	4	G	 Hinges ( Full cover )	4
C	 Shelf Support	4	H	 Countersunk screws M4x10mm	24
D	 Handle	2	I	 Expansion Screw	2
E	 Handle screws ( M4 x22mm)	2	J	 Decorative cover	2
			K	 Screwdriver	1

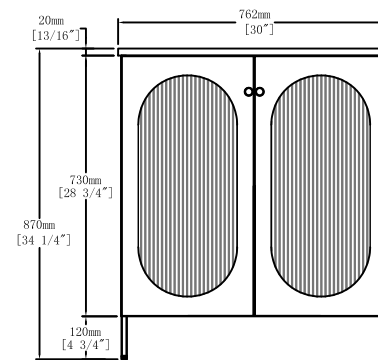
Recommended tools



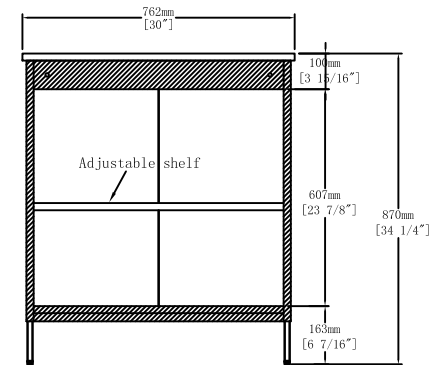
Dimensions



Top View



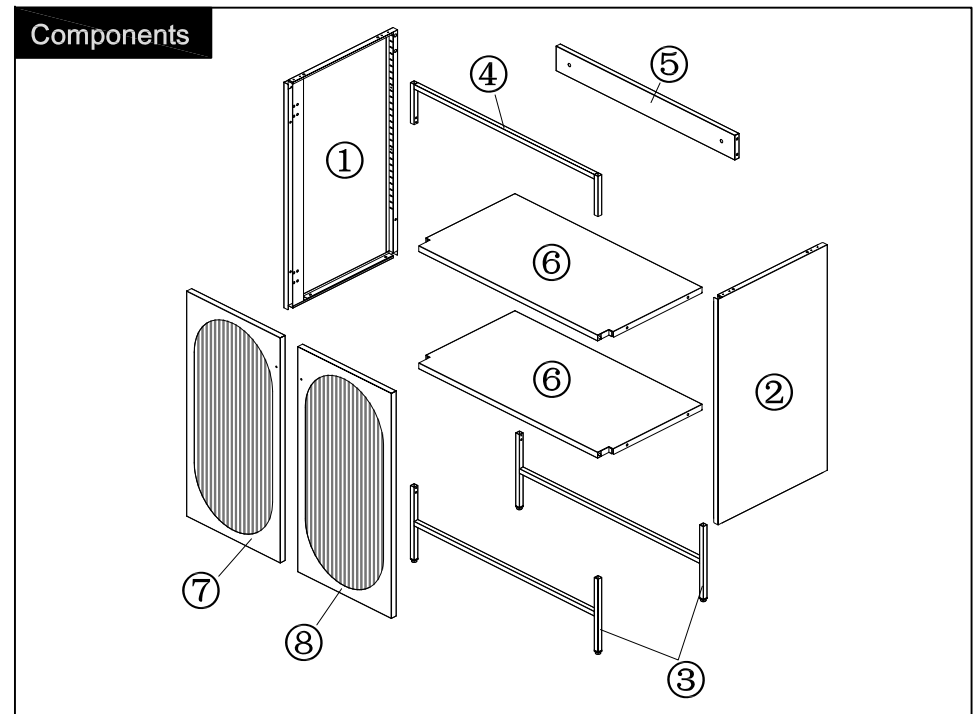
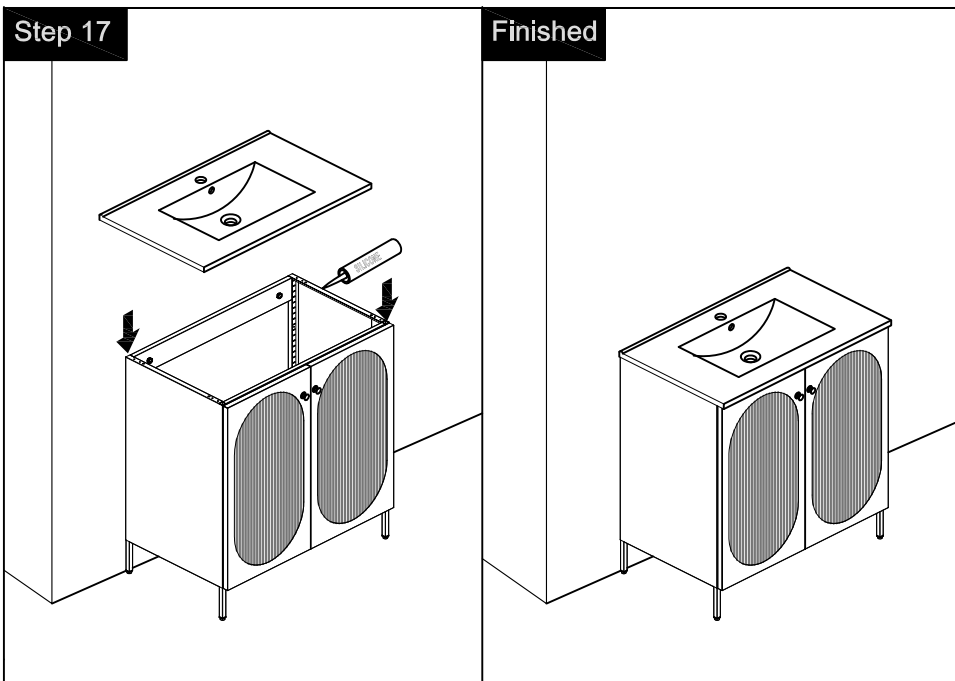
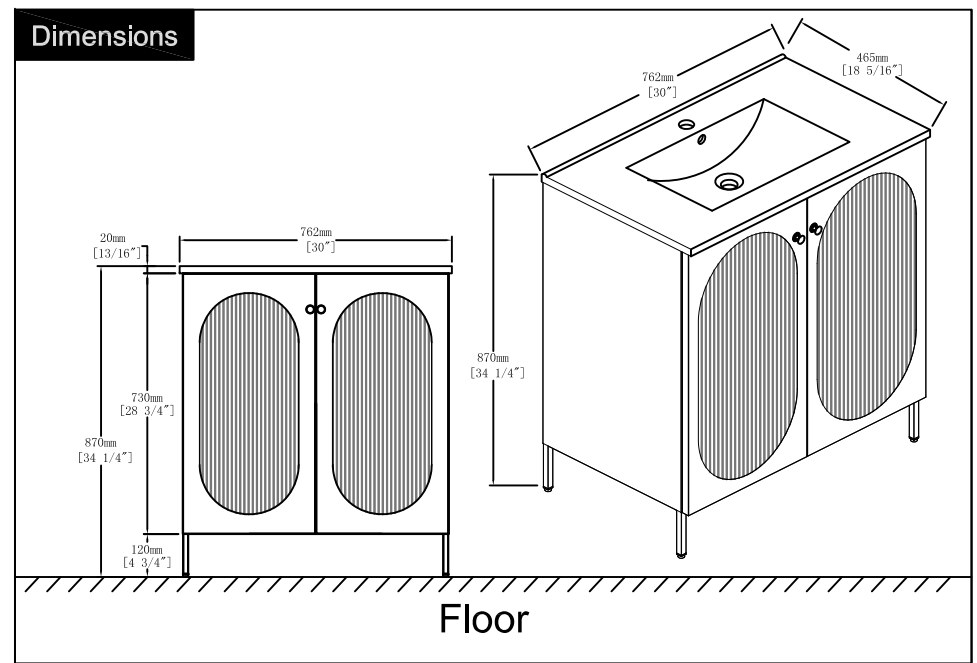
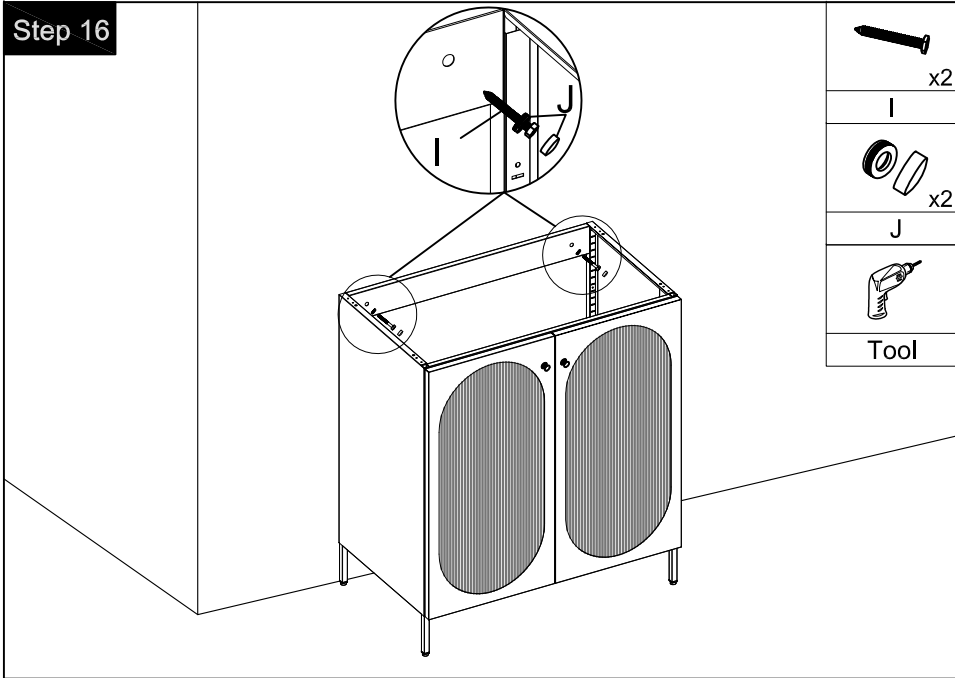
Front View

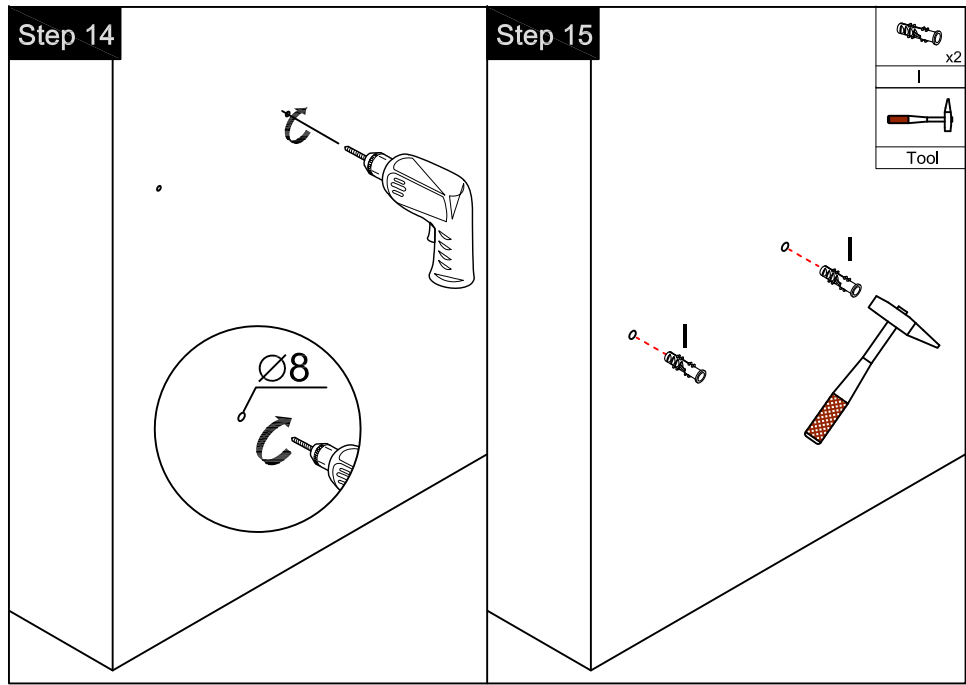
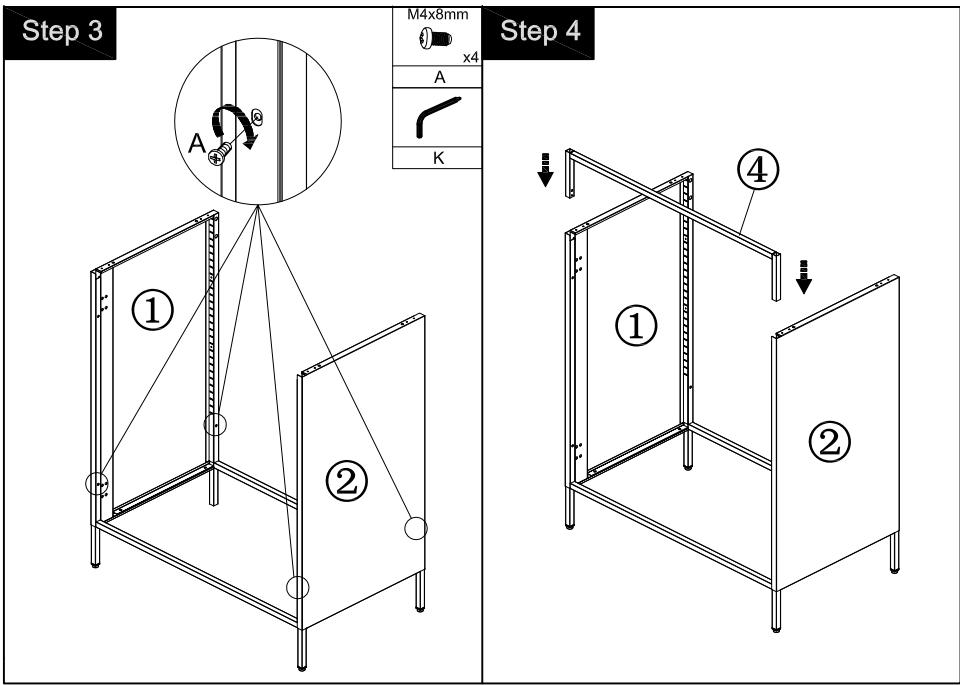
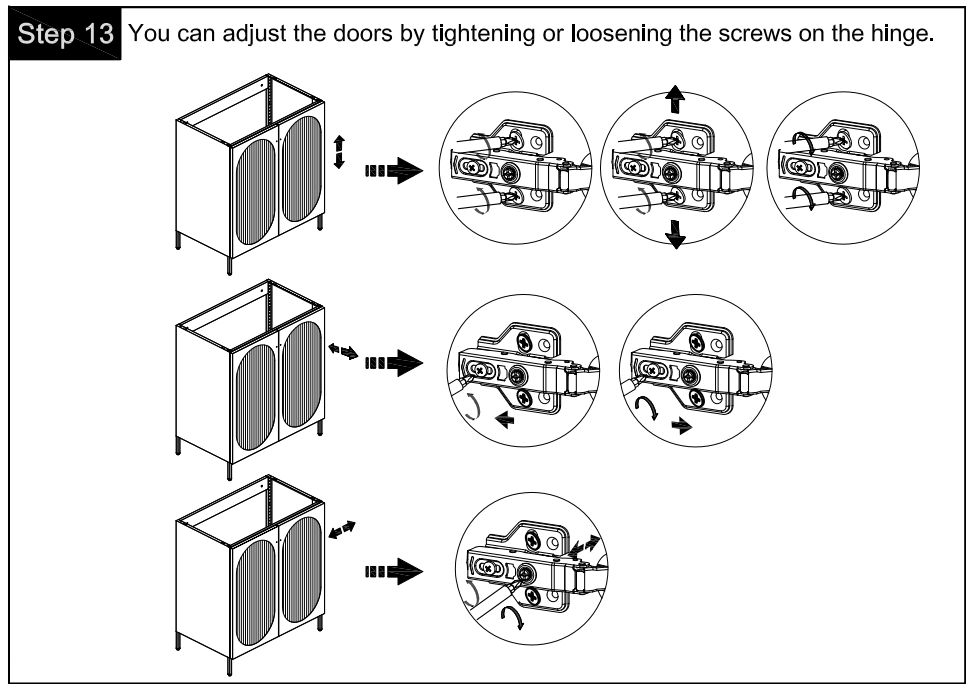
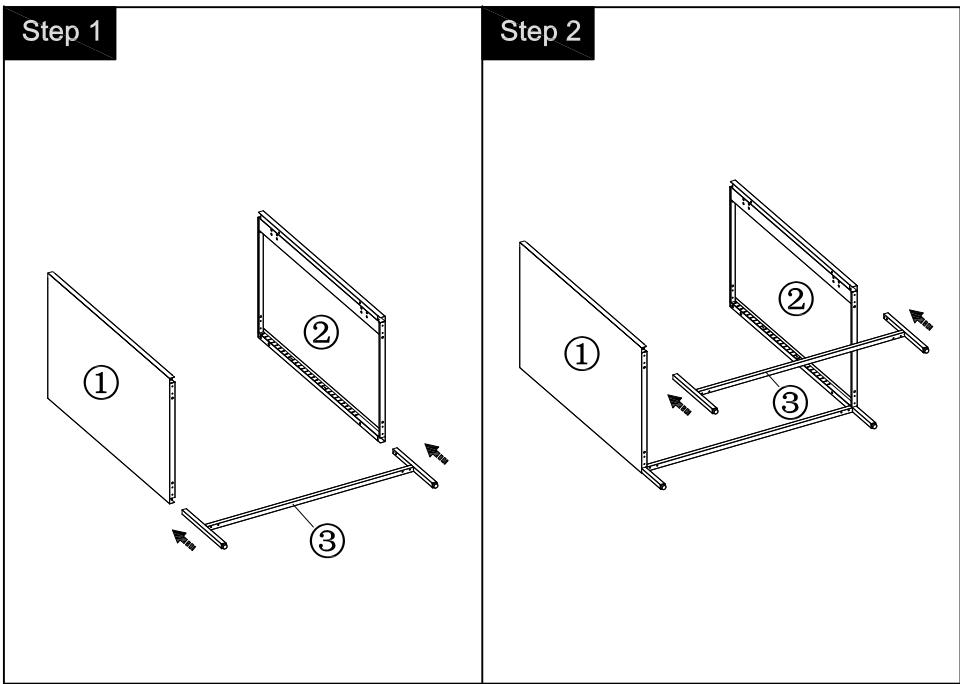


Back View

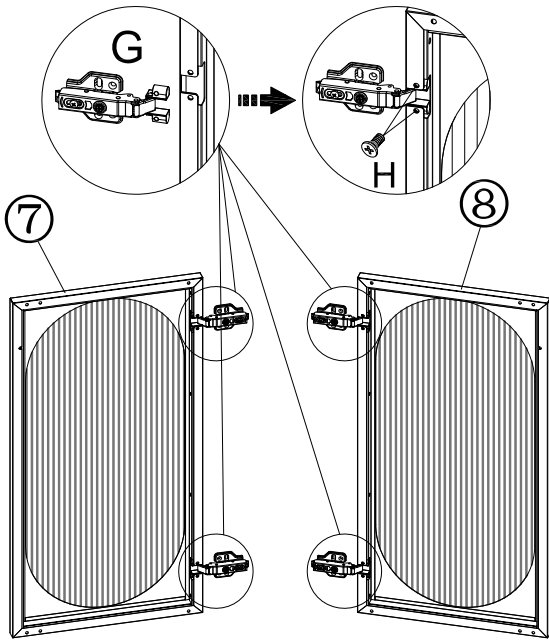
CARE CLEANING AND MAINTENANCE

1. Avoid bumping and hard objects scratching surface spray plastic.
2. Choose a soft cotton cloth to wipe, avoid the use of metal brush, hard brush or rough cloth.
3. The sink top is resilient, but care needs to be taken to preserve its appearance.
4. Do not place hot appliances, such as curling irons and hot hair dryers directly on the countertop. Wipe spills immediately.



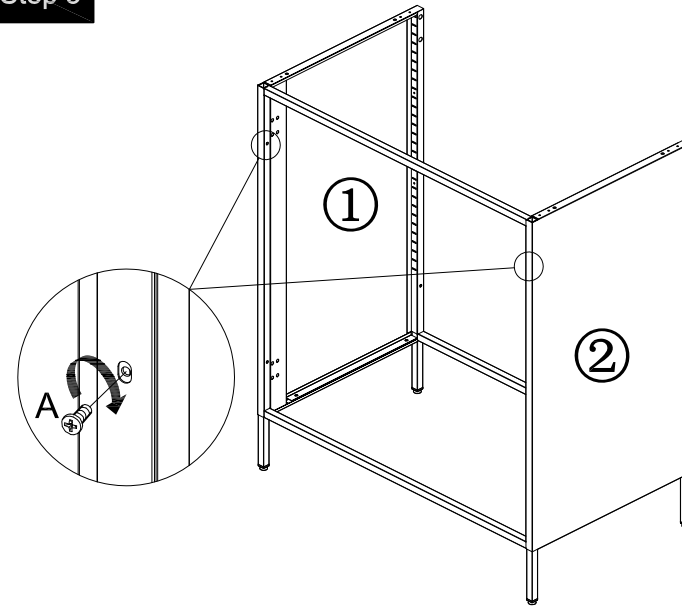


Step 11



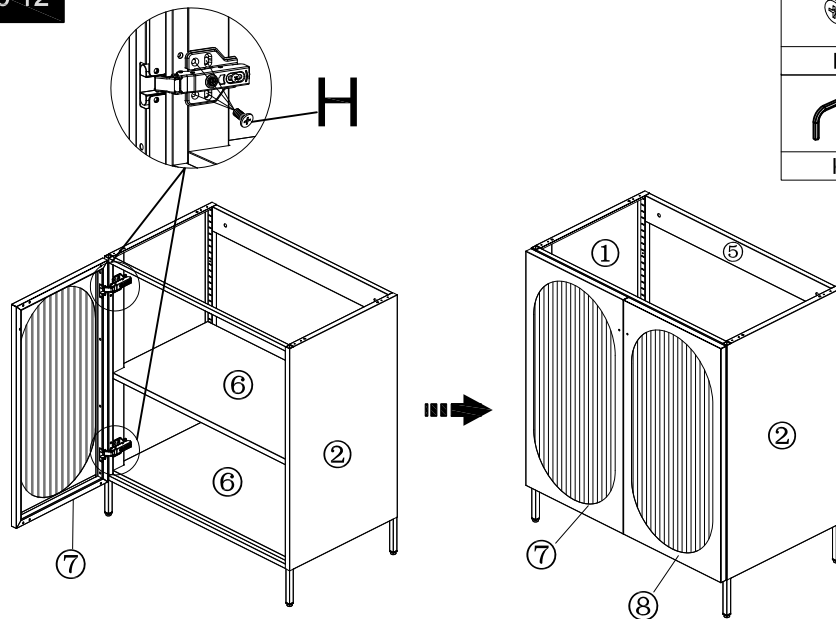
	x4
G	
M4x10mm	
	x8
H	
K	

Step 5



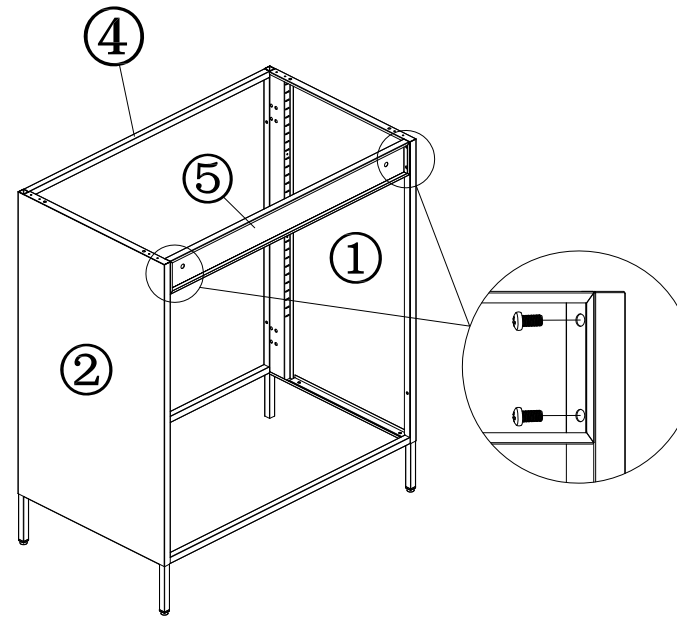
M4x8mm	
	x2
A	
K	

Step 12



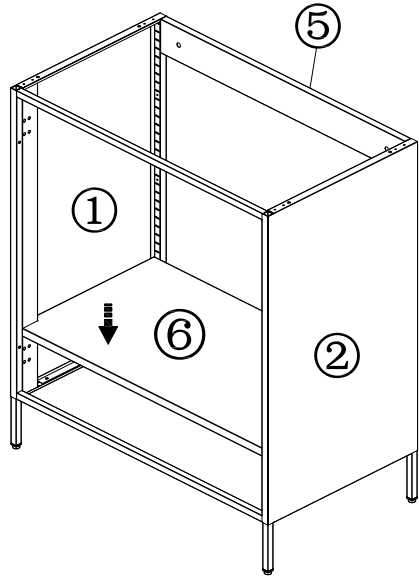
M4x10mm	
	x16
H	
K	

Step 6

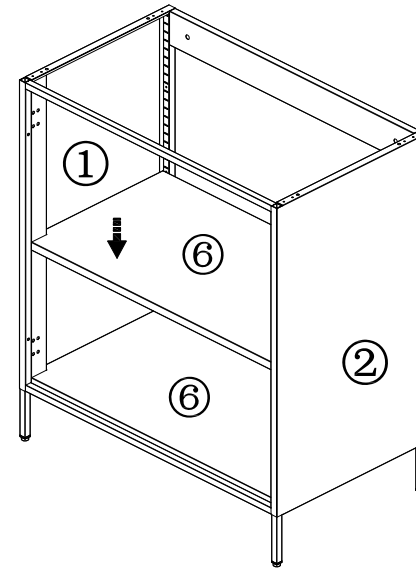


M6x12mm	
	x4
B	
K	

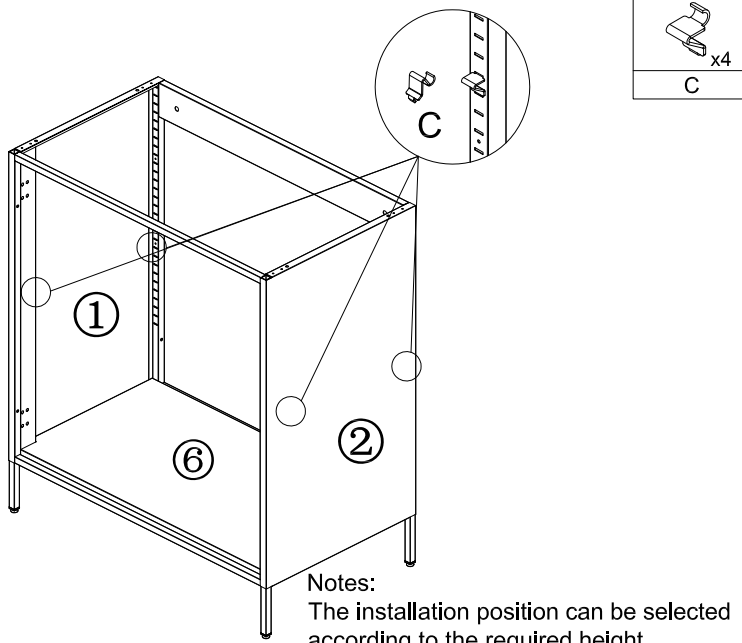
Step 7



Step 9



Step 8



Notes:  
The installation position can be selected according to the required height.

Step 10

