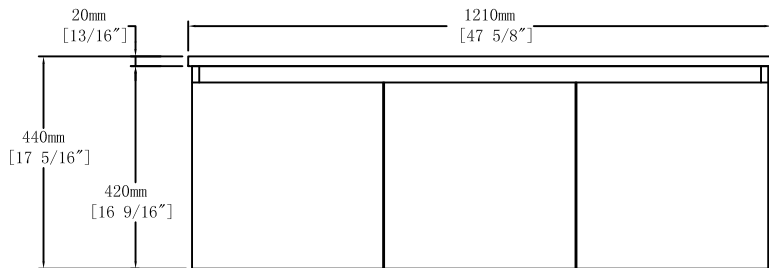
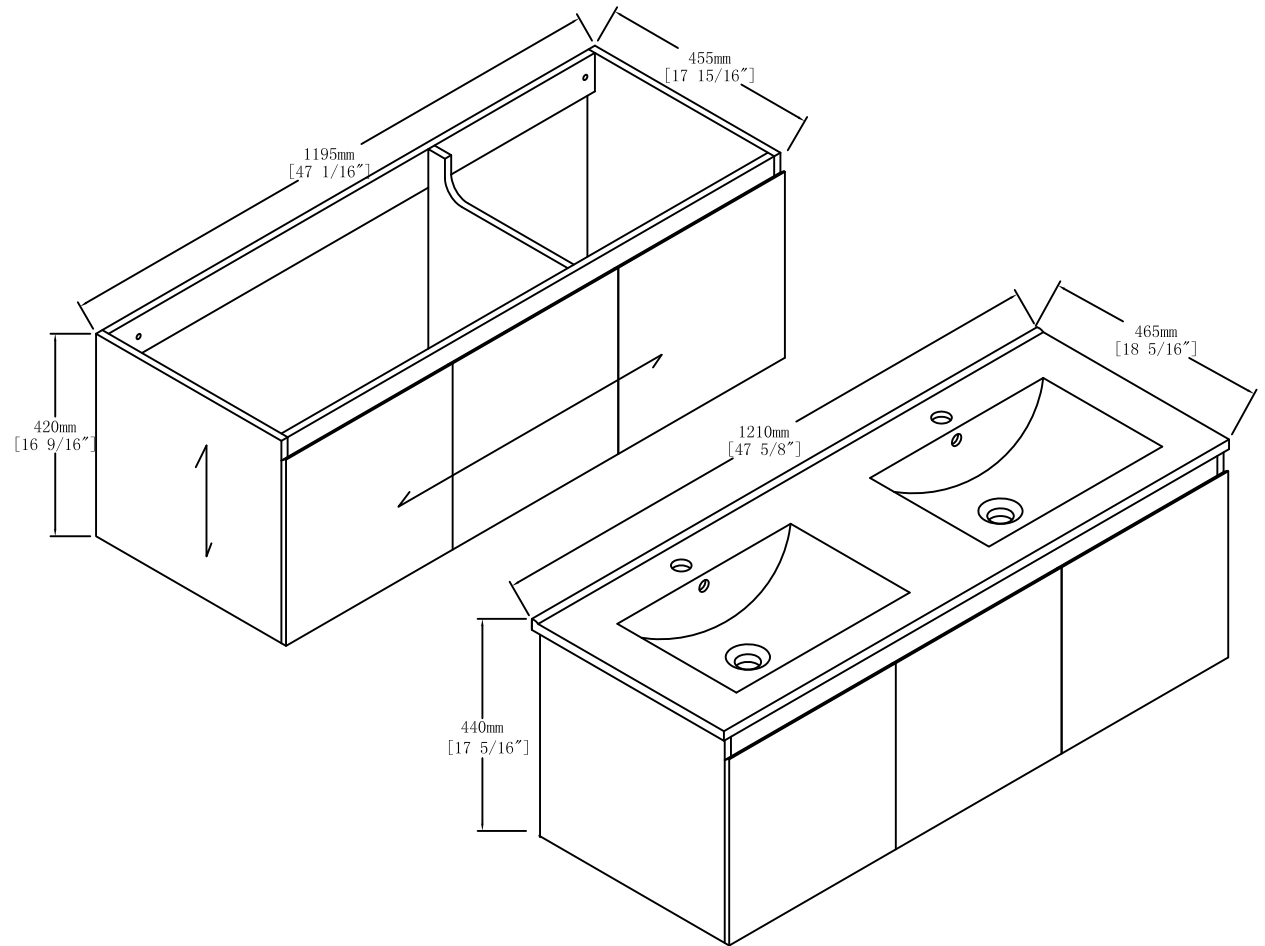
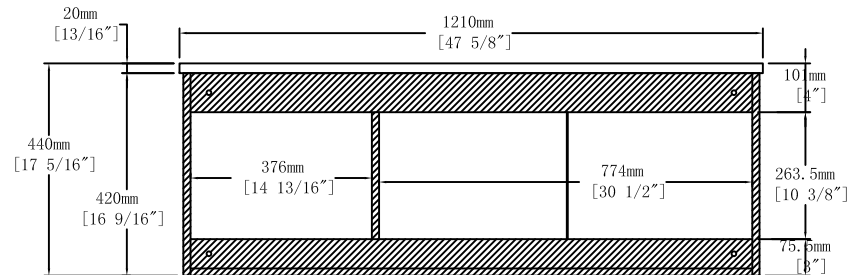


Top View



Front View



Back View



Item NO.

BV B07948D

Version

V1

Project

Date

2023-12-25