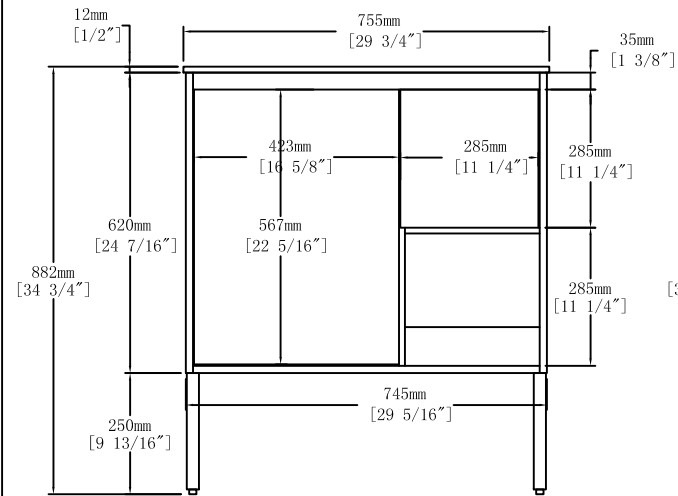
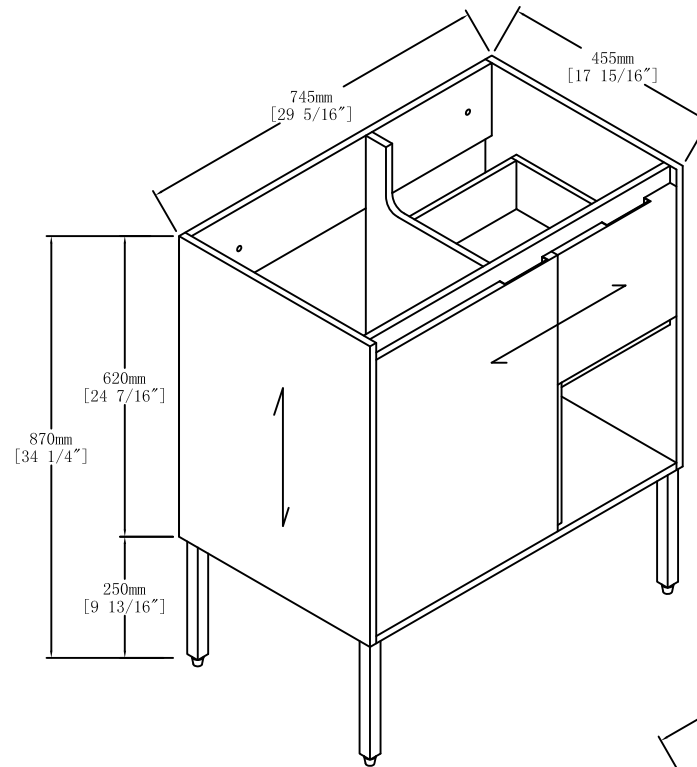
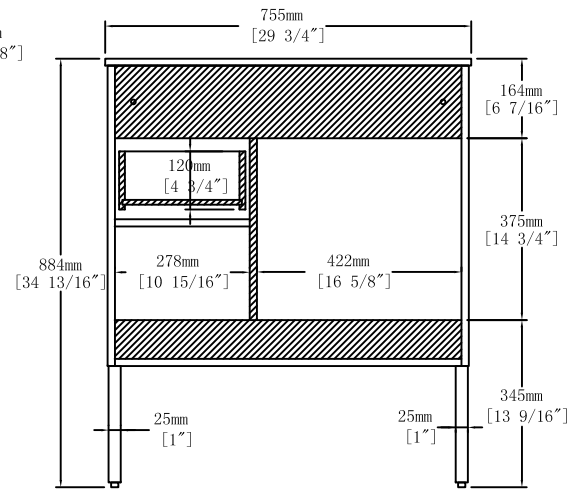


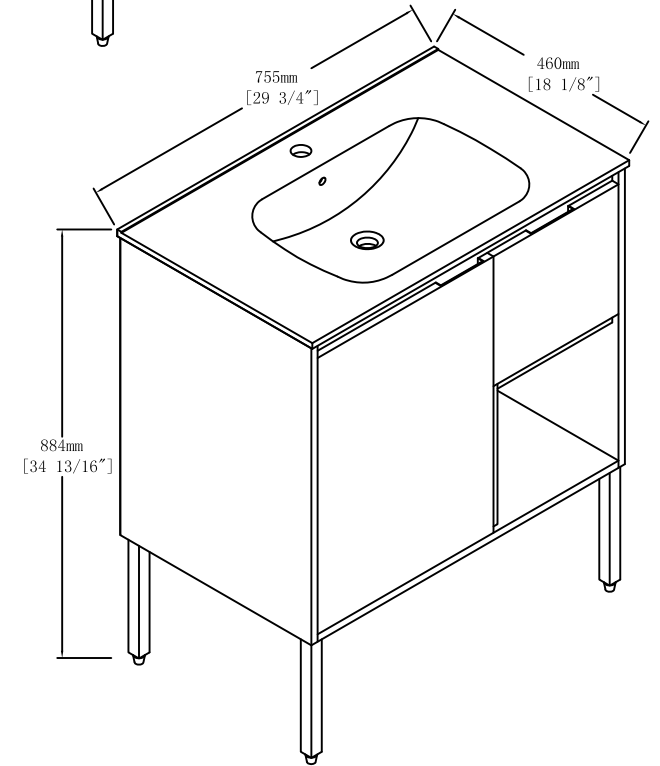
Top View



Front View



Back View



Item NO.	BV B05630
Projece	

Version	V1
Date	2023-3-14