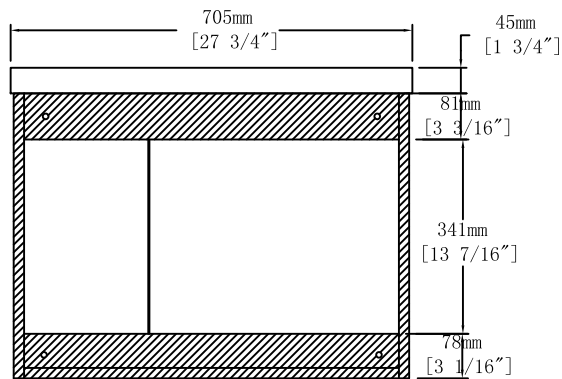
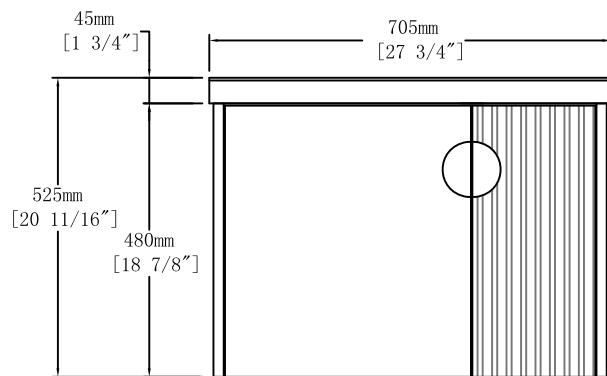
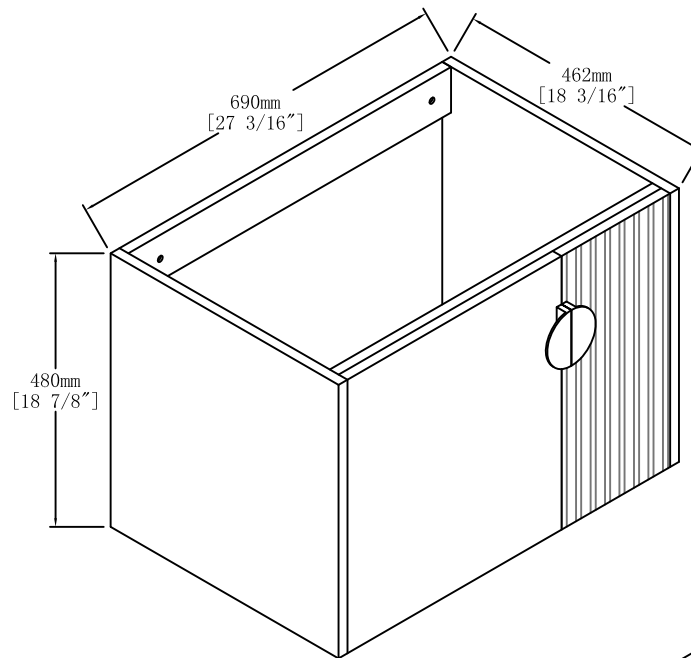
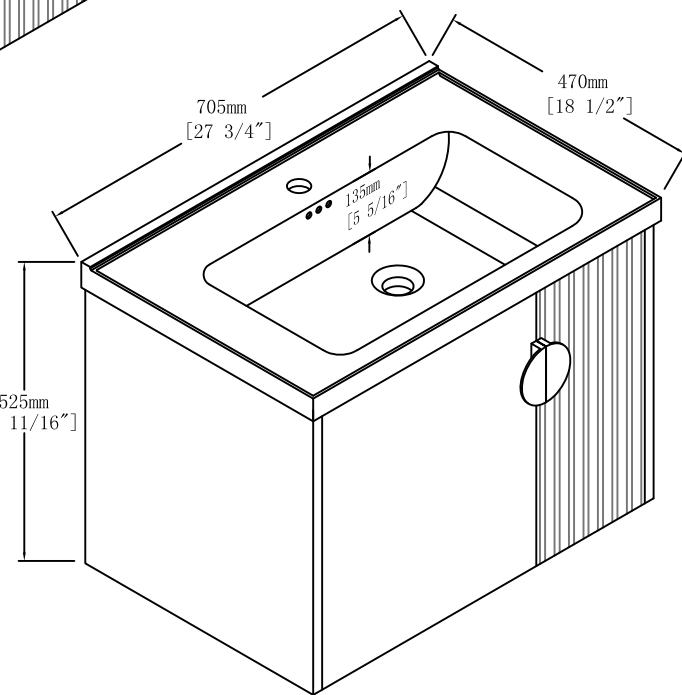


Top View



Back View



Item NO.

BV B08128

Version

V1

Project

Date

2023-11-6