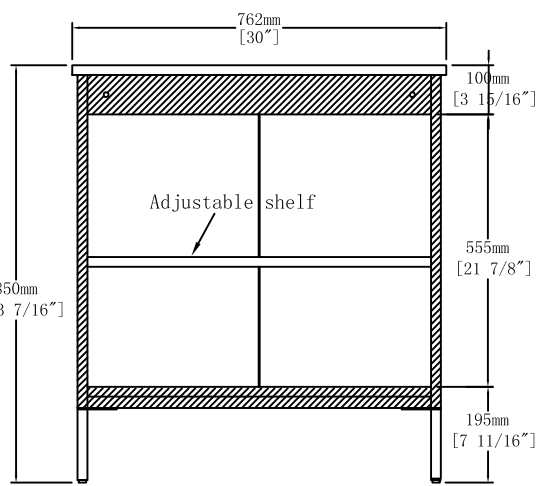
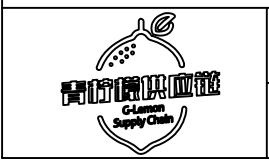
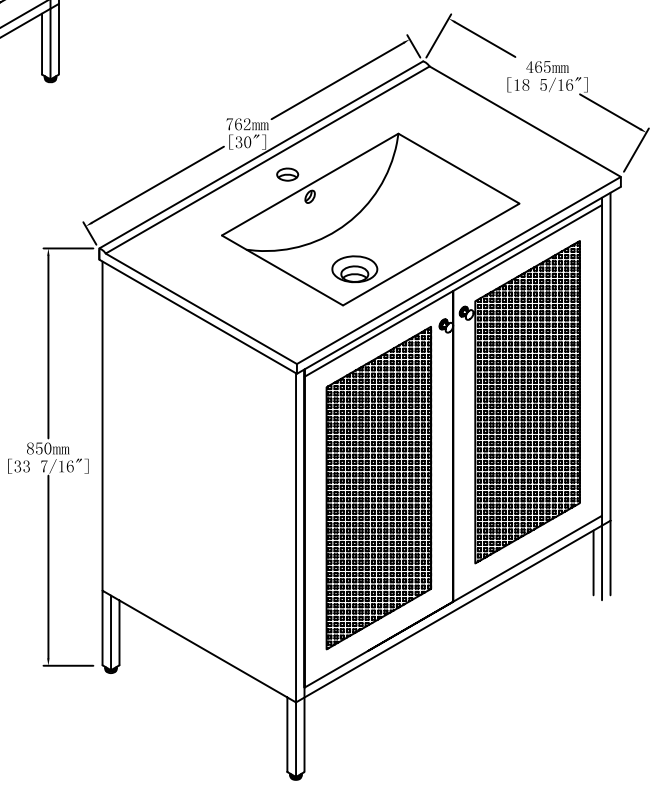


Front View



Back View



Item NO.	BV B05730-1
Projece	

Version	V1
Date	2023-12-26