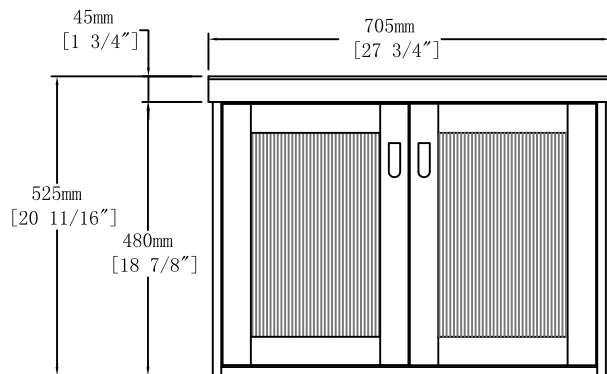
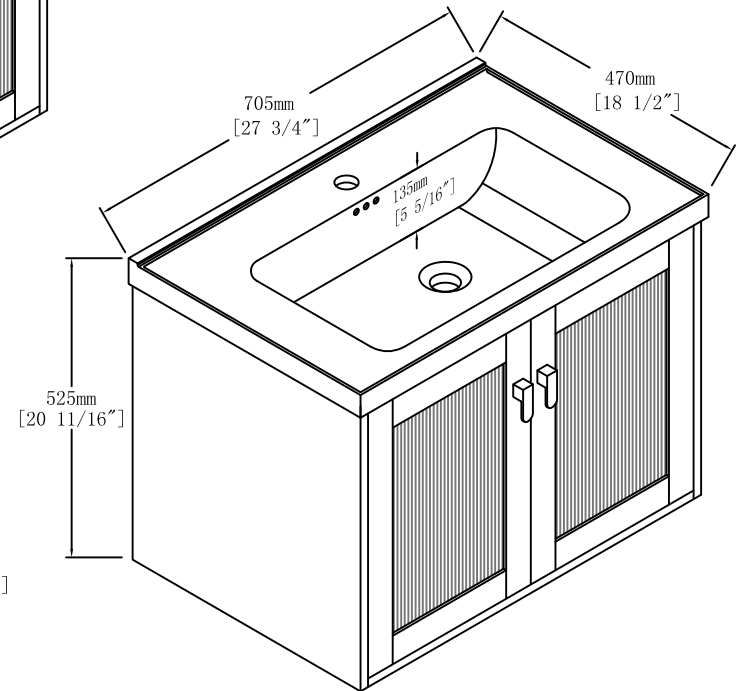
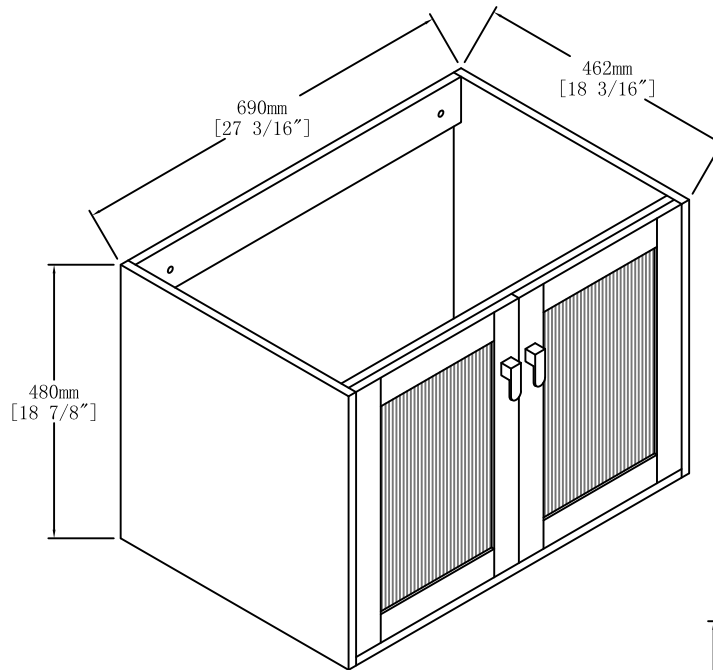
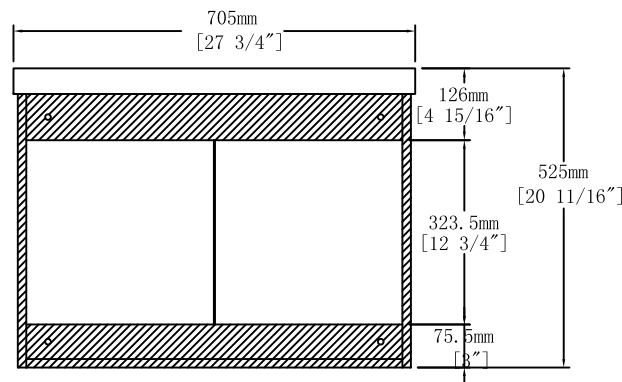


Top View



Front View



Back View



Item NO. BV B08228

Project

Version V1

Date 2023-11-15