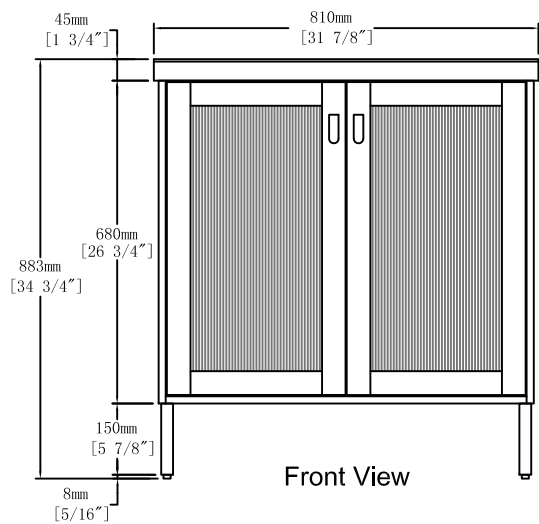
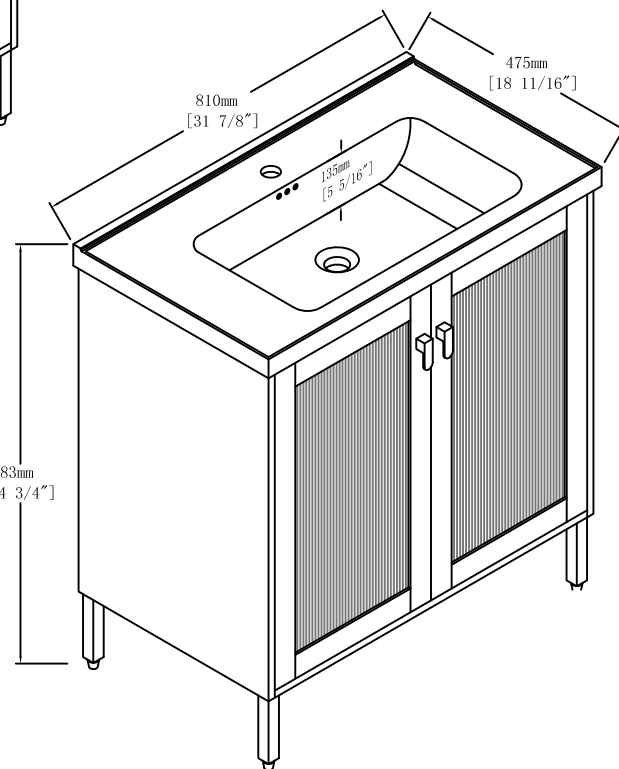
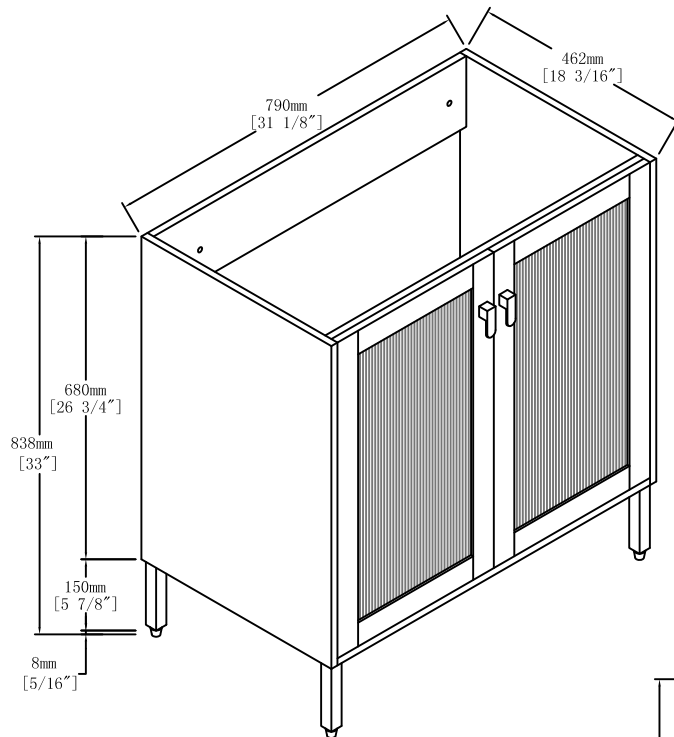
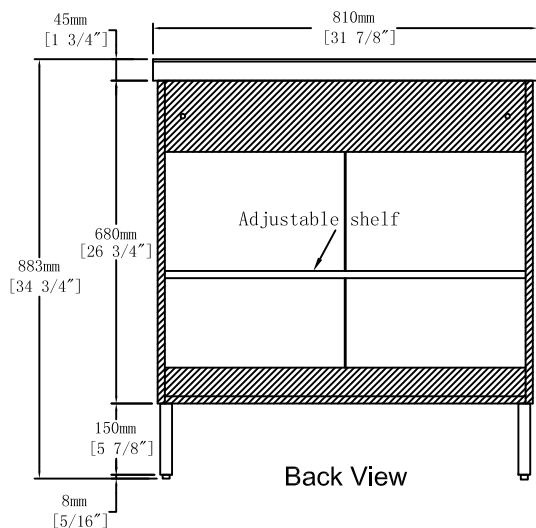


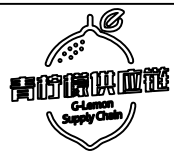
Top View



Front View



Back View



Item NO.

BV B08332

Version

V1

Project

Date

2023-11-15