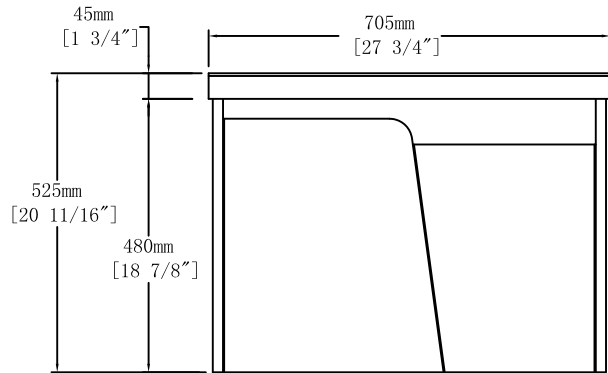
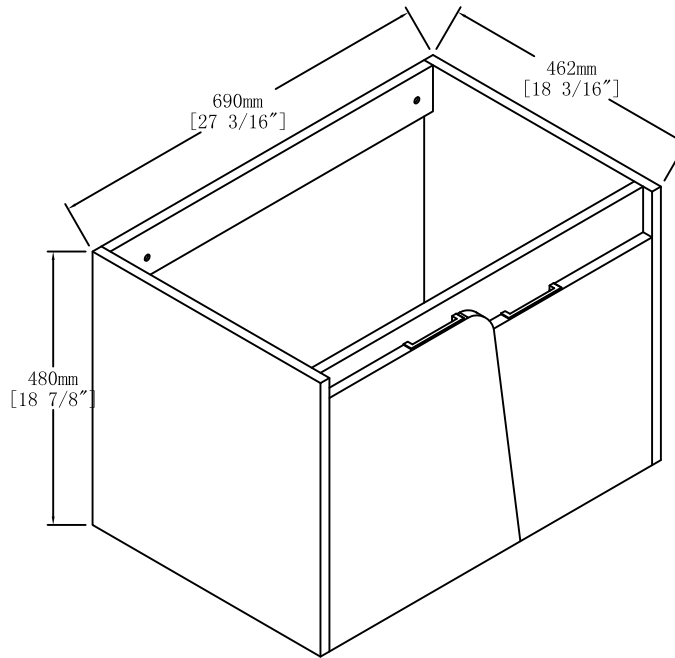
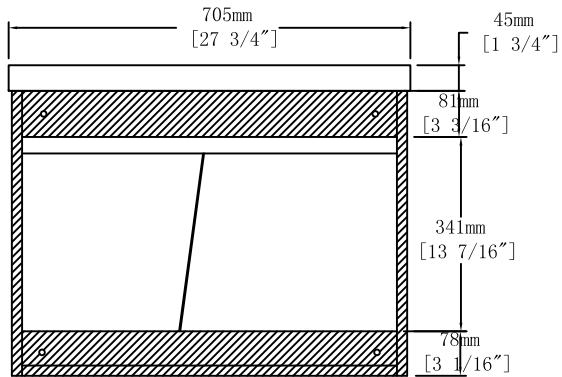


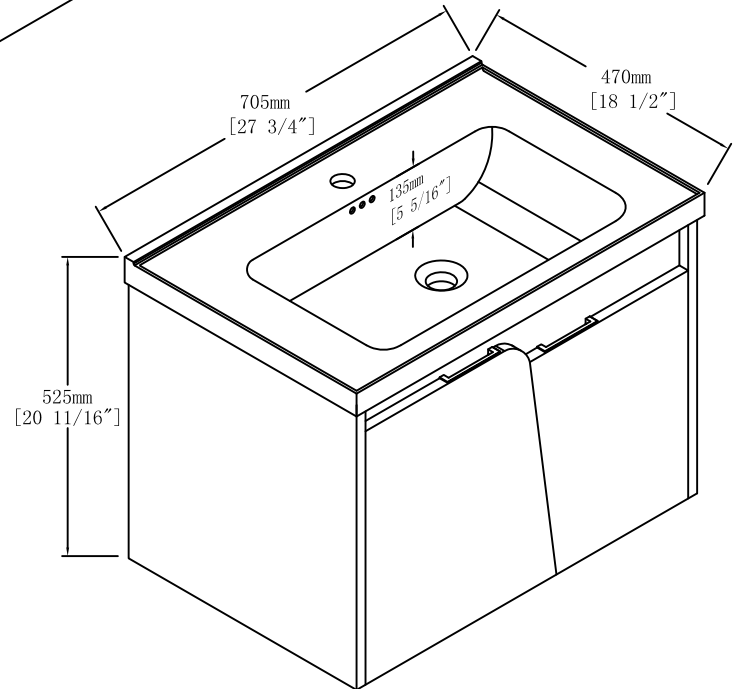
Top View



Front View



Back View



Item NO.	BV C07728
Project	

Version	V1
Date	2023-10-31