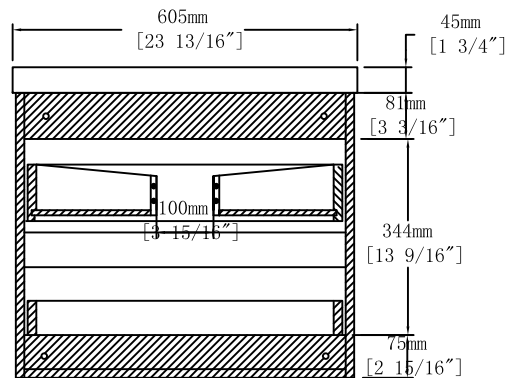
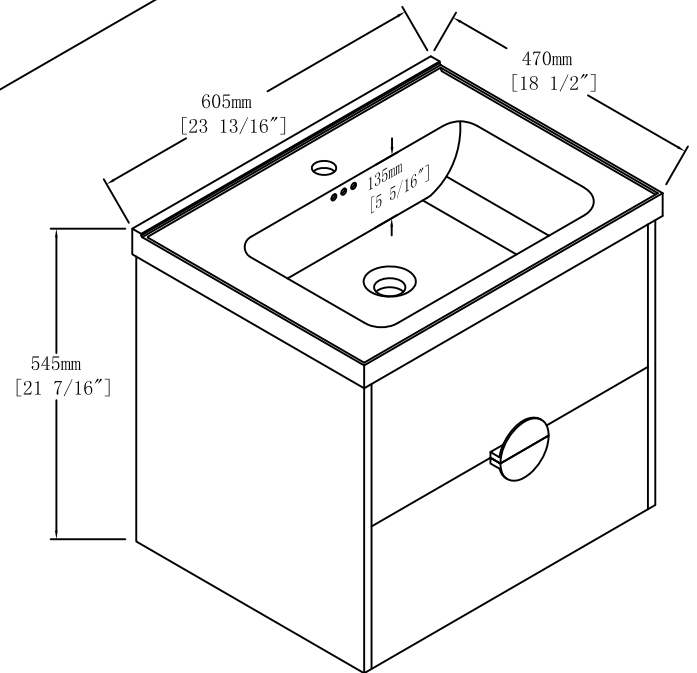


Front View



Back View



Item NO.

BV C07624

Version

V1

Project

Date

2023-10-5