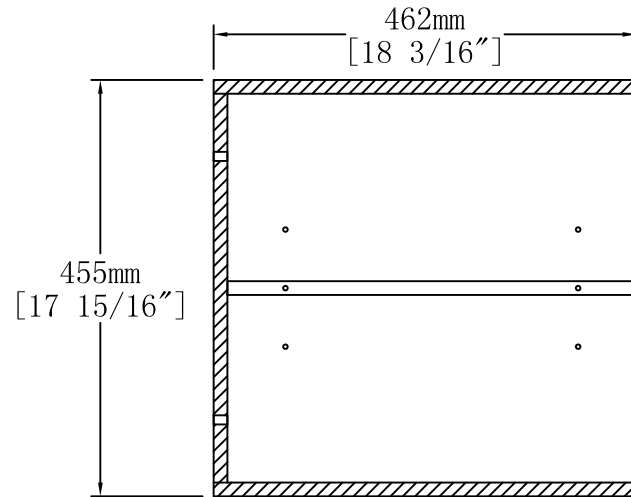
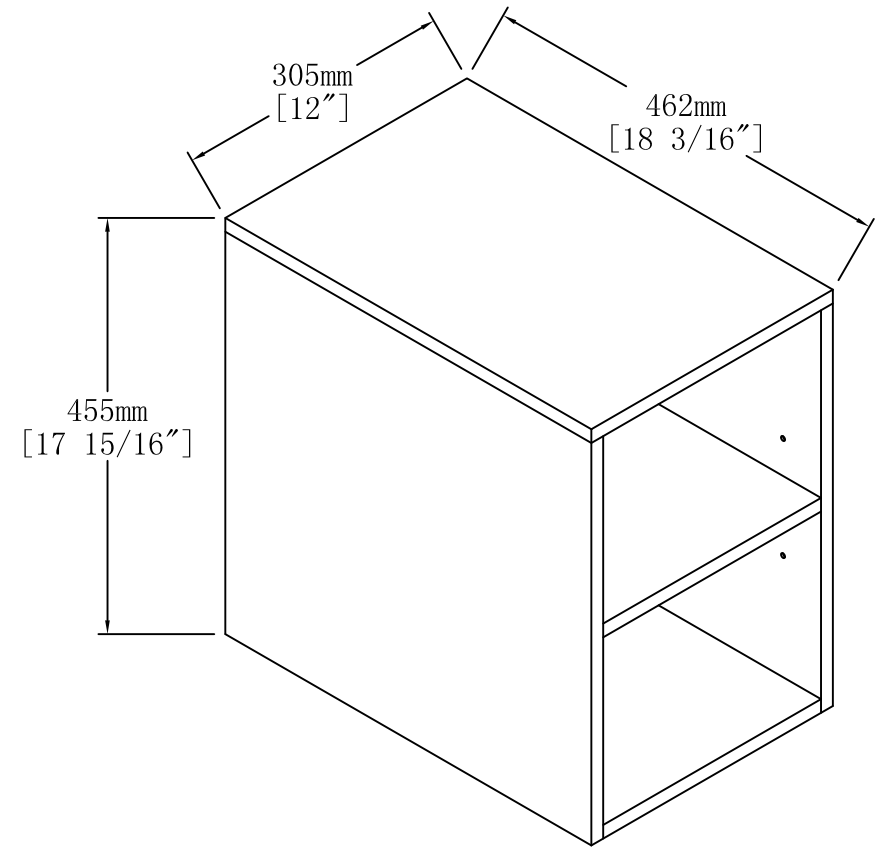


Front View



Side View



Item NO.	BV C07412
Project	

Version	V1
Date	2023-8-29