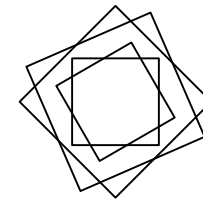
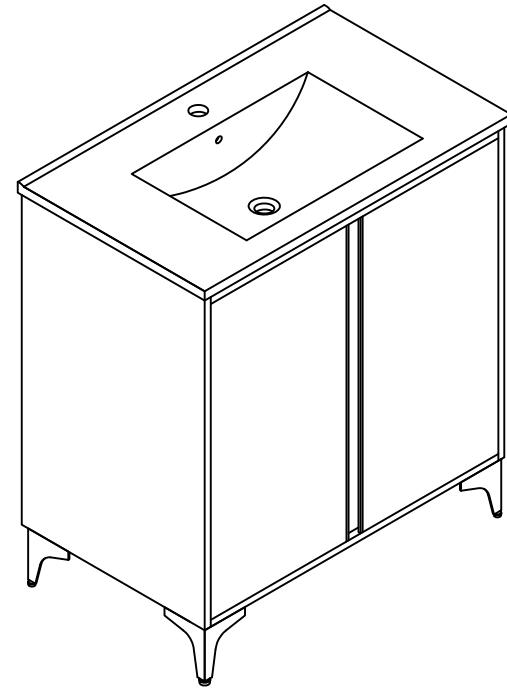


**Installation Manual- BV B06724
BV B06730**

**MOTIVATE
YOUR LIFE !**

THANKS FOR WATCHING

Your feedback is invaluable to us and we would love to hear about your experience. Please take the time to leave us a review.



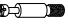


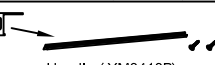













Thank you for shopping with us!

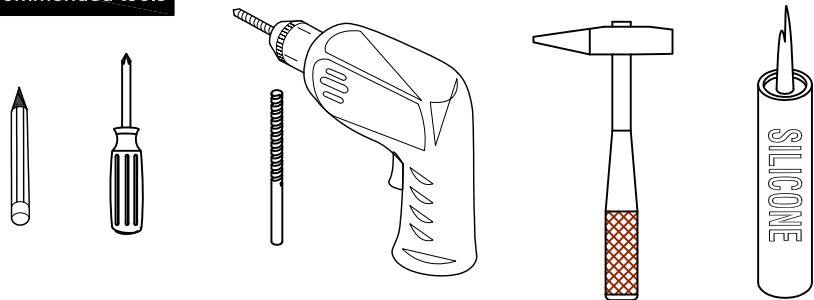
We encourage you to take a few minutes to go through this booklet. It contains important information on installation and care tips to keep your furniture looking as good as new.

Item NO.:BV B06724 / BV B06730

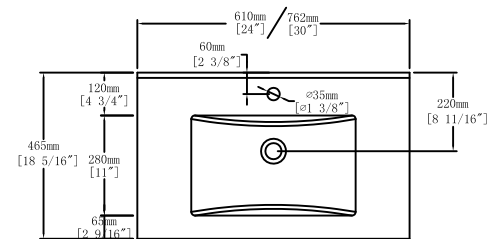
Hardware

NO.	Draw	QTY	NO.	Draw	QTY
A	 Screws Ø4x14mm	44	J	 Hinges (Internal hiding)	4
B	 Two-in-one connector	20	K	 Handle (YM3419B)	1
C	 Two-in-one connector	20	L	 Handle (YM3418B)	1
D	 Wood plug	6	M	 Movable laminate support	4
E	 Plastic anchor(Ø10mm)	2	N	 Metal Feet	4
F	 Screws for fix on the wall	2	O	 Screws M4x14mm	16
G	 Bracket (53x70x44mm)	2	P	 Anti-collision gasket	2
H	 Bracket (19x19x35mm)	2	Q	 Screwdriver	1
I	 Door stopper	2			

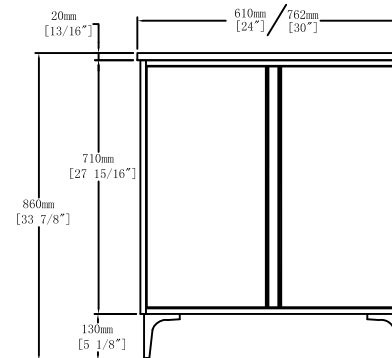
Recommended tools



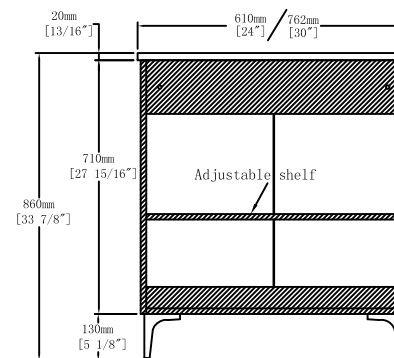
Dimensions



Top View



Front View

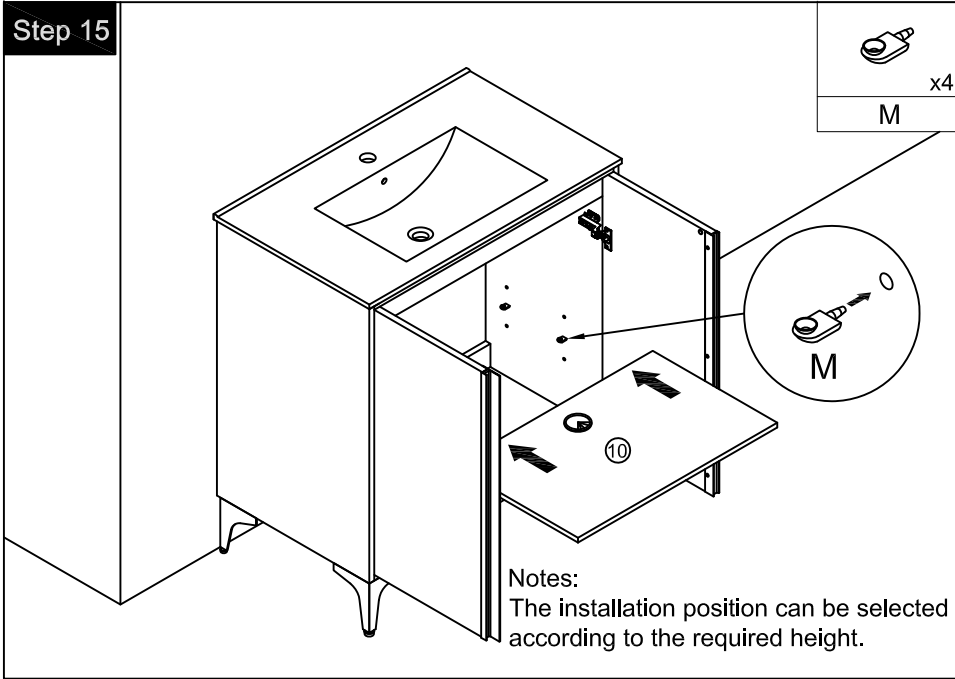


Back View

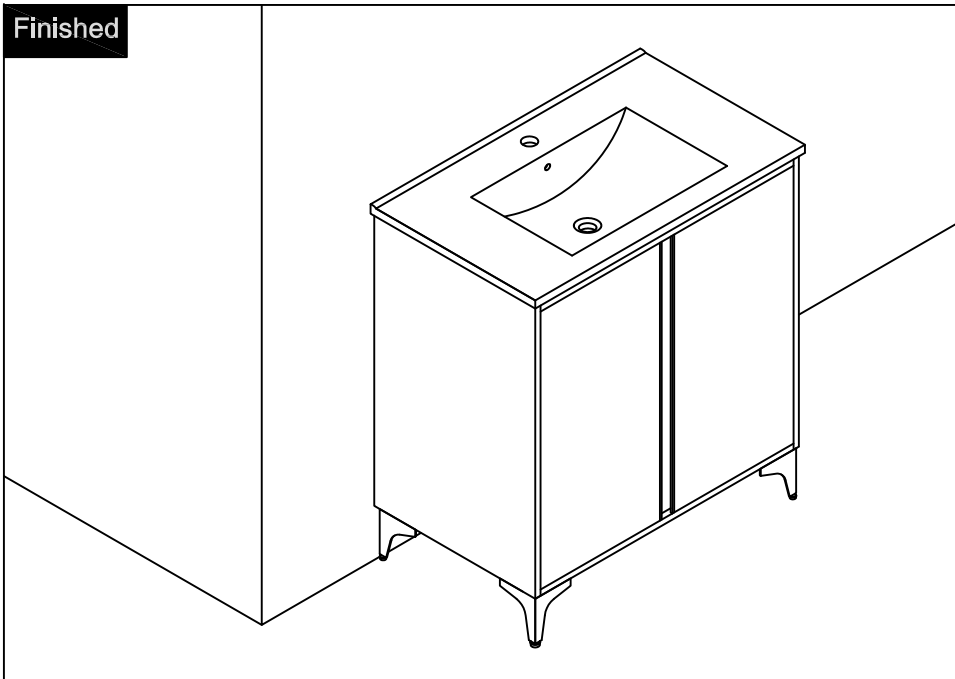
CARE CLEANING AND MAINTENANCE

1. Dust regularly with a soft , dry cloth.
2. Avoid the use of all chemicals household cleaners, abrasives, or cleaners that contain lemon, vinegar, or other acids that may damage the finish.
3. Excessive exposure to sunlight and extreme changes in temperature and moisture can damage wood furniture.
4. The sink top is resilient, but care needs to be taken to preserve its appearance.
5. Do not place hot appliances, such as curling irons and hot hair dryers directly on the countertop. Wipe spills immediately.

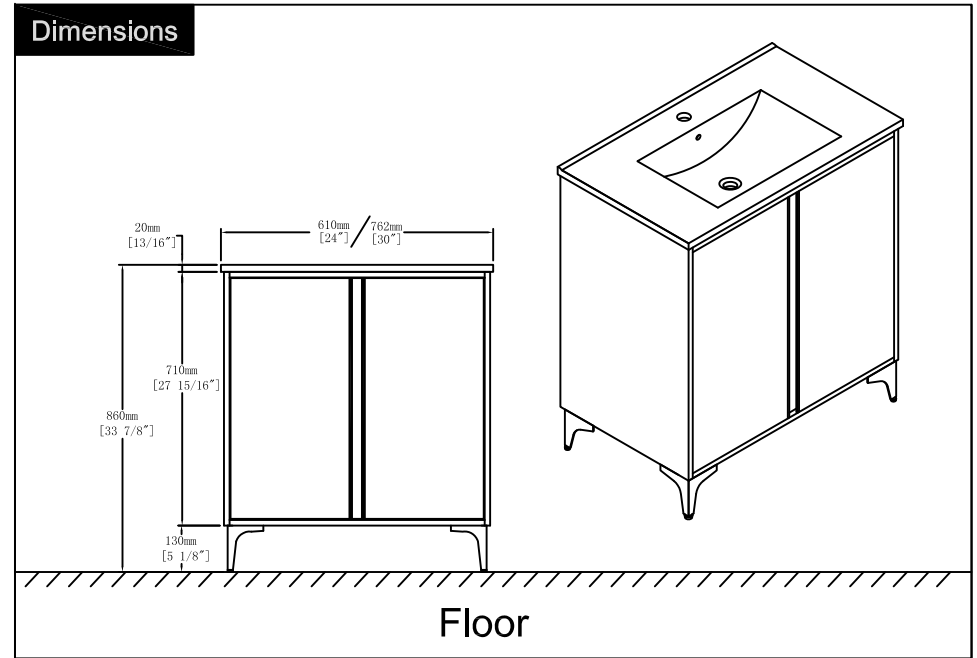
Step 15



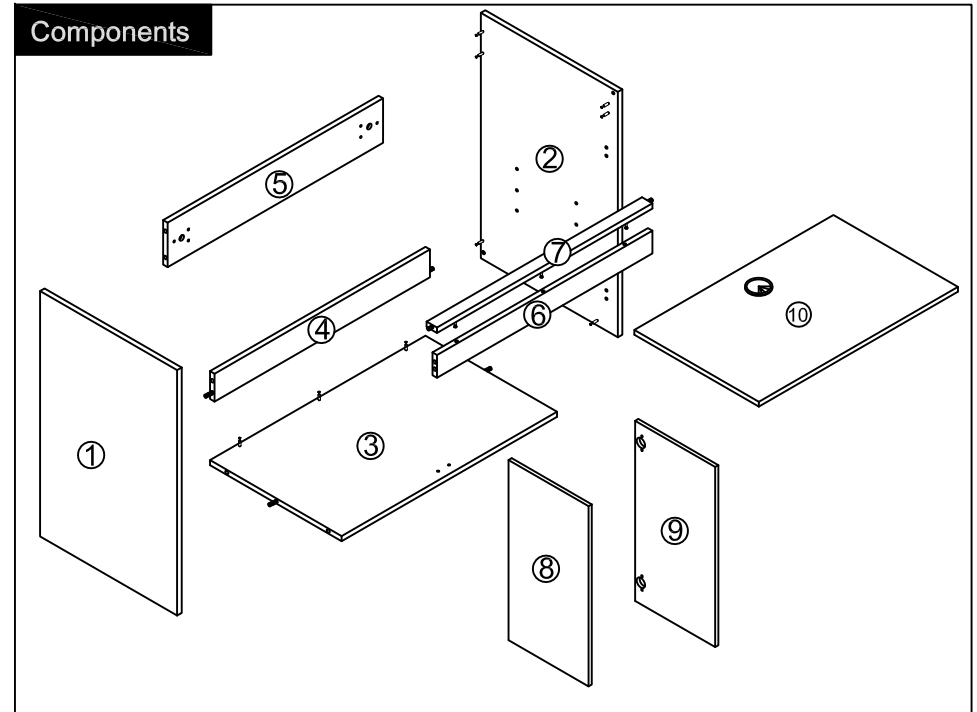
Finished

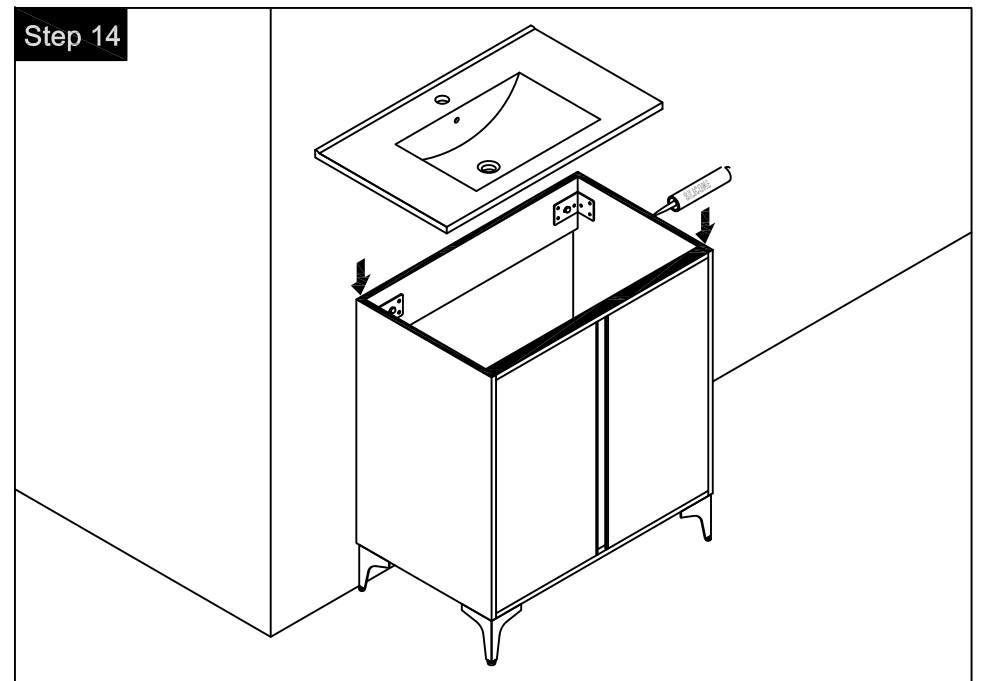
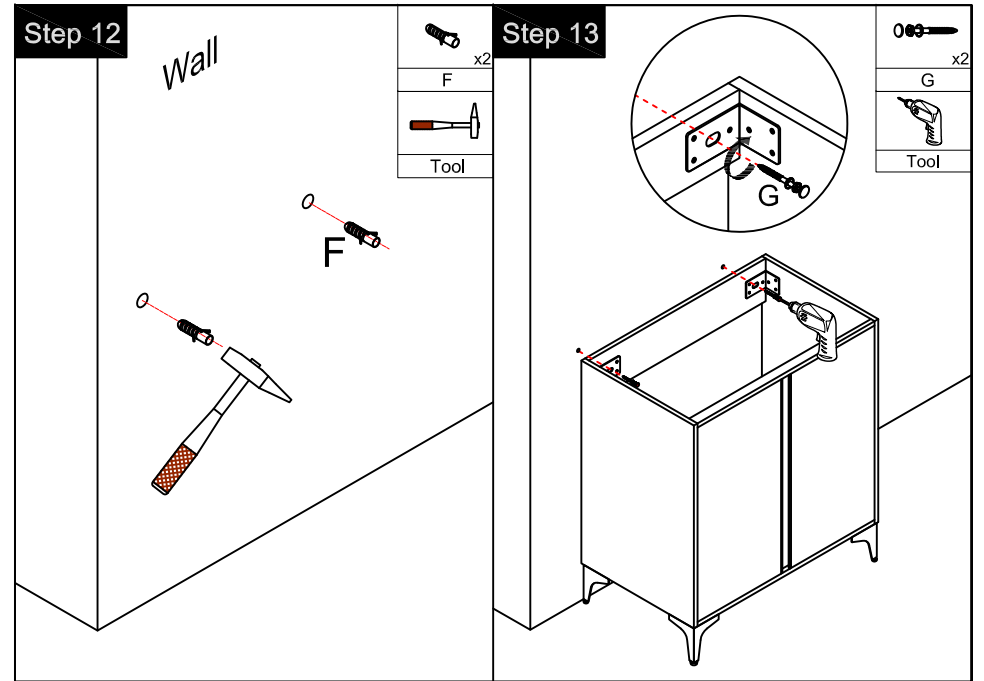
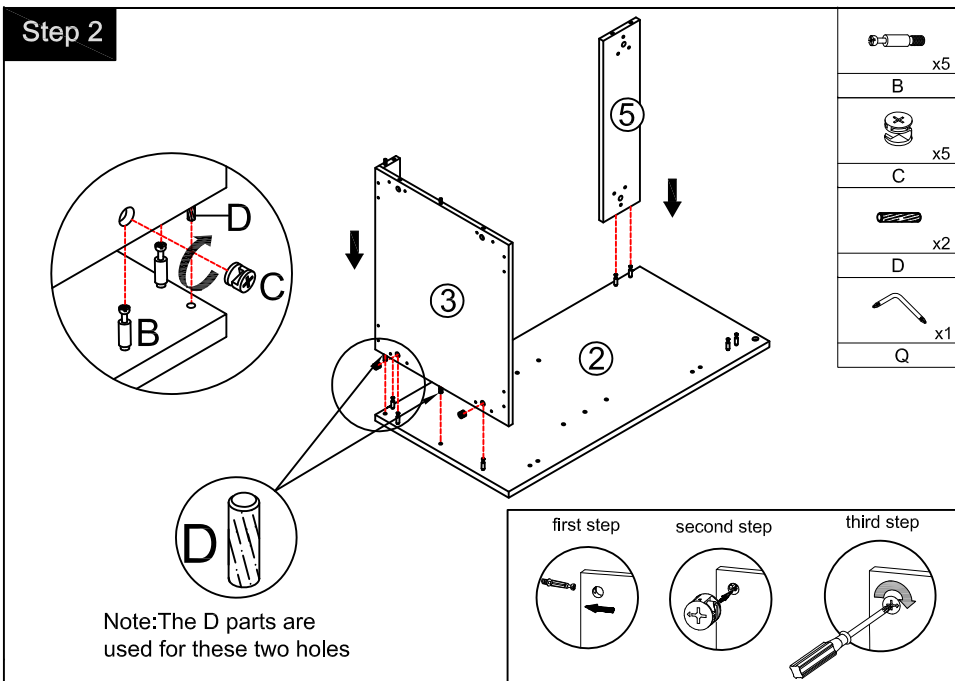
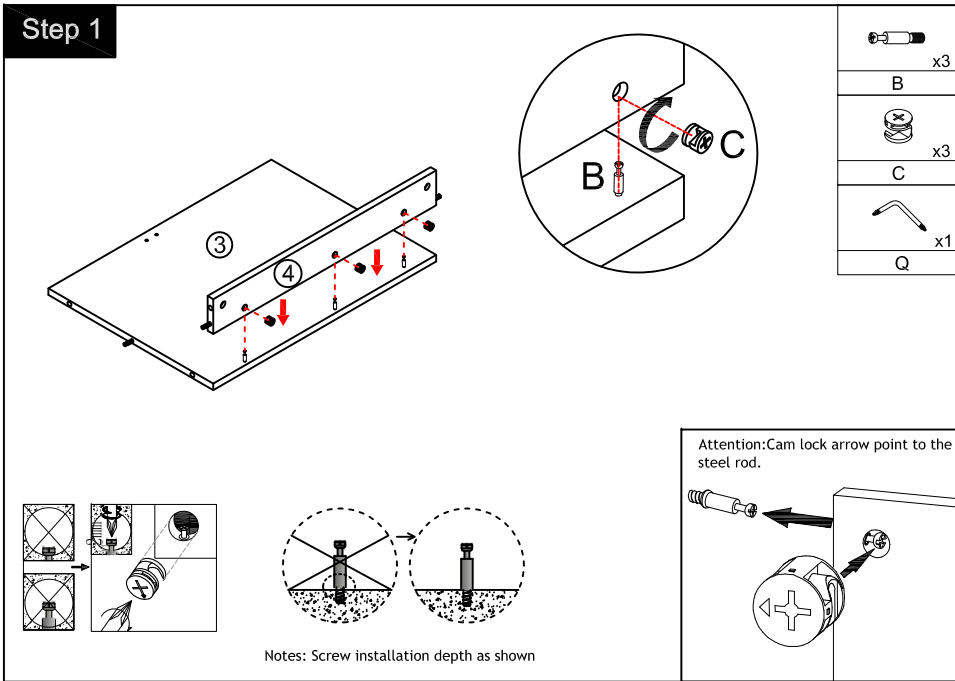


Dimensions

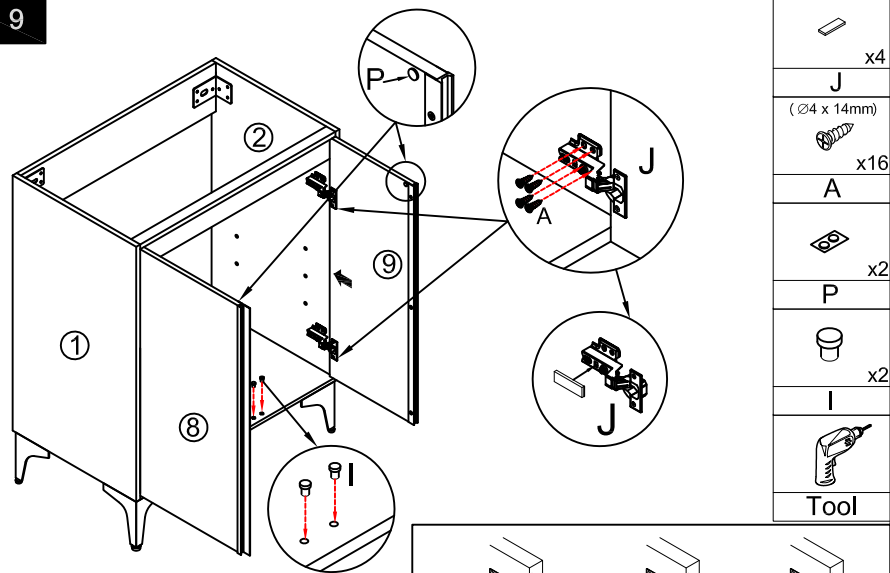


Components



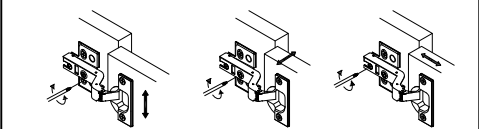


Step 9

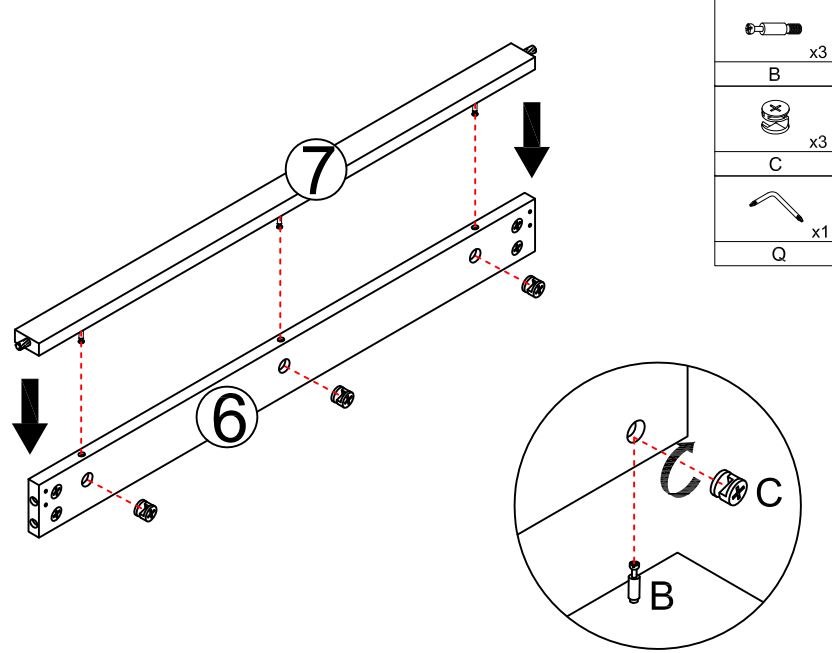


- x4
- J (24 x 14mm)
- x16
- A
- x2
- P
- x2
- I
- Tool

You can adjust the doors by tightening or loosening the screws on the hinge. →

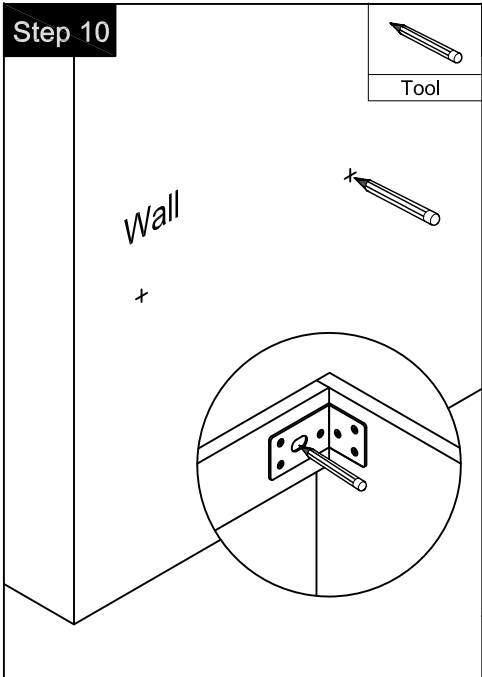


Step 3



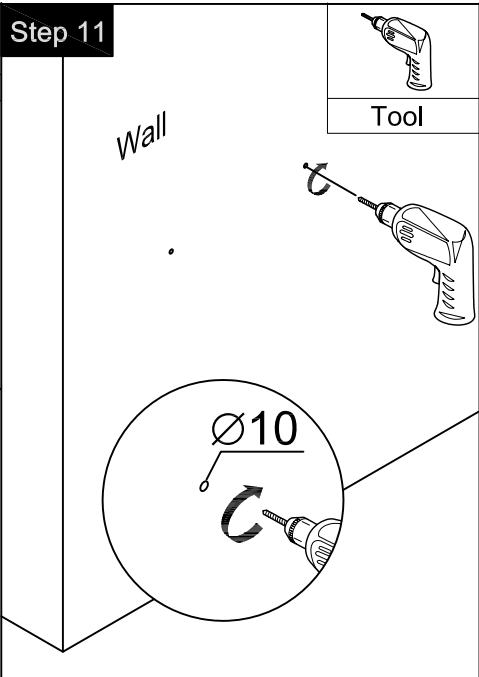
- x3
- B
- x3
- C
- x1
- Q

Step 10



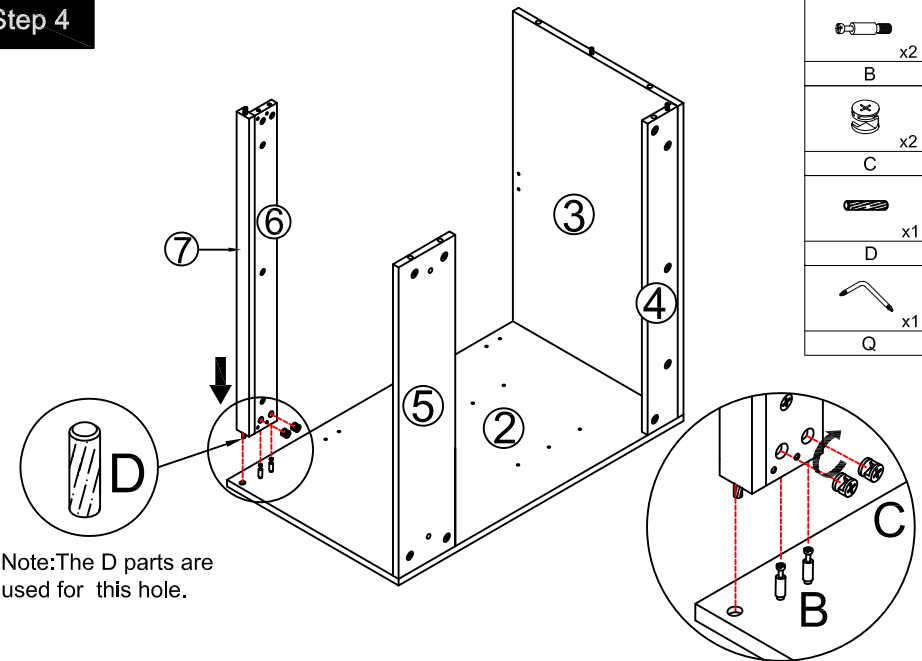
- Tool

Step 11



- Tool

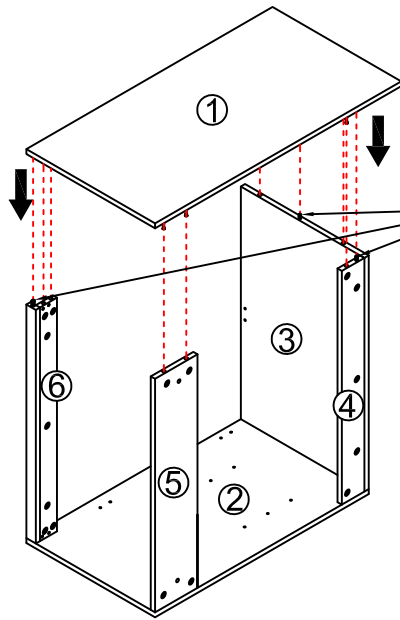
Step 4



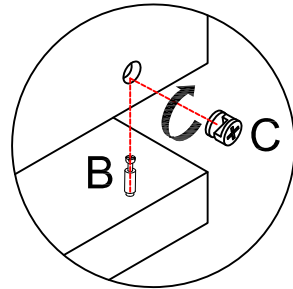
- x2
- B
- x2
- C
- x1
- D
- x1
- Q

Note: The D parts are used for this hole.

Step 5

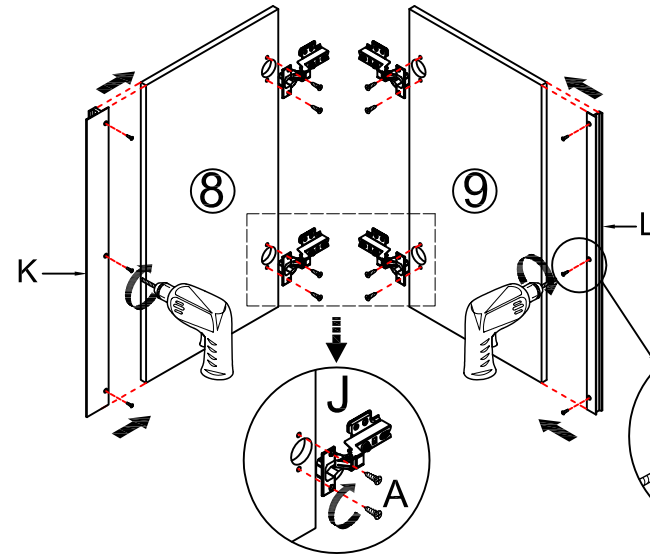


Note: The D parts are used for these three holes



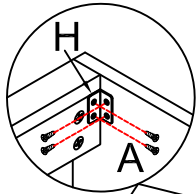
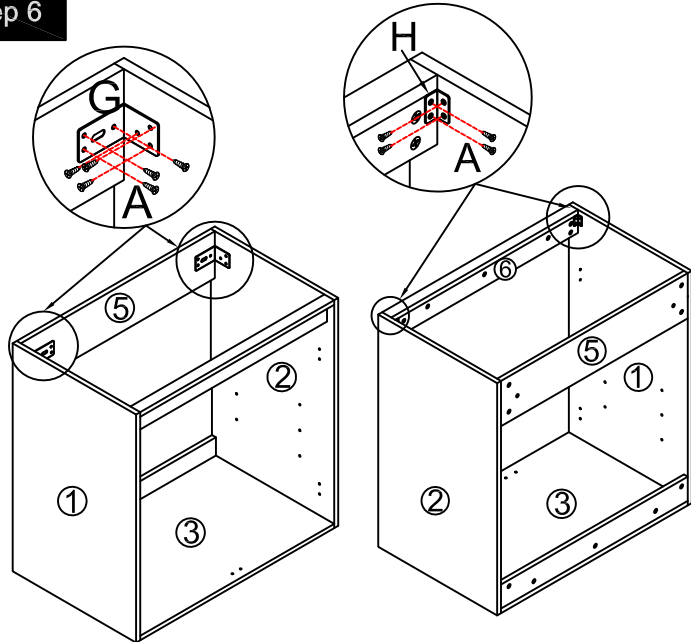
	x7
B	
	x7
C	
	x3
D	
	x1
Q	

Step 7



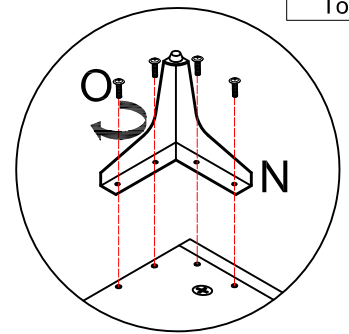
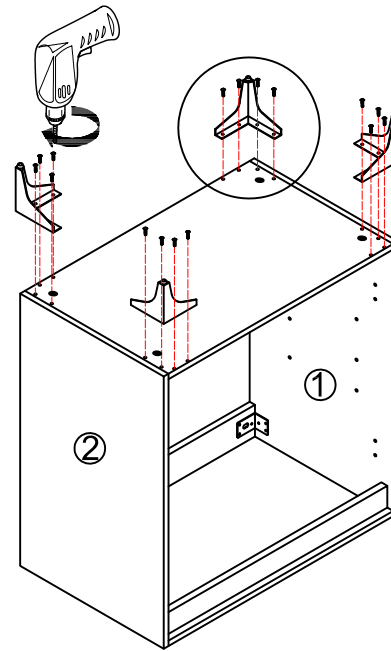
	x1
K	
	x1
L	
	x4
J	
	x8
A	
	(∅4 x 14mm)
	x8
A	
	Tool

Step 6



	x2
G	
	x2
H	
	(∅4 x 14mm)
	x20
A	
	Tool

Step 8



	x4
N	
	(M4 x 14mm)
	x16
O	
	Tool