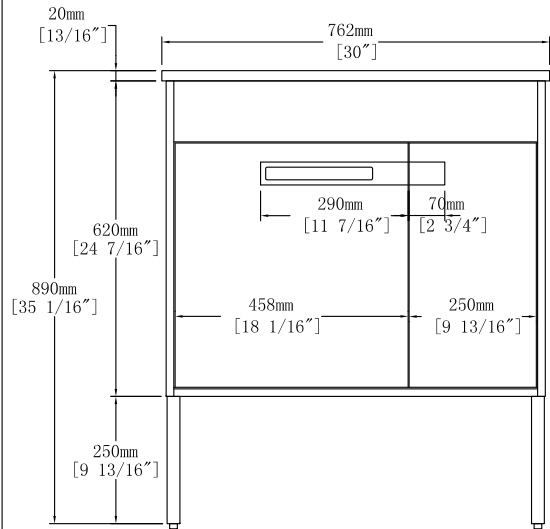
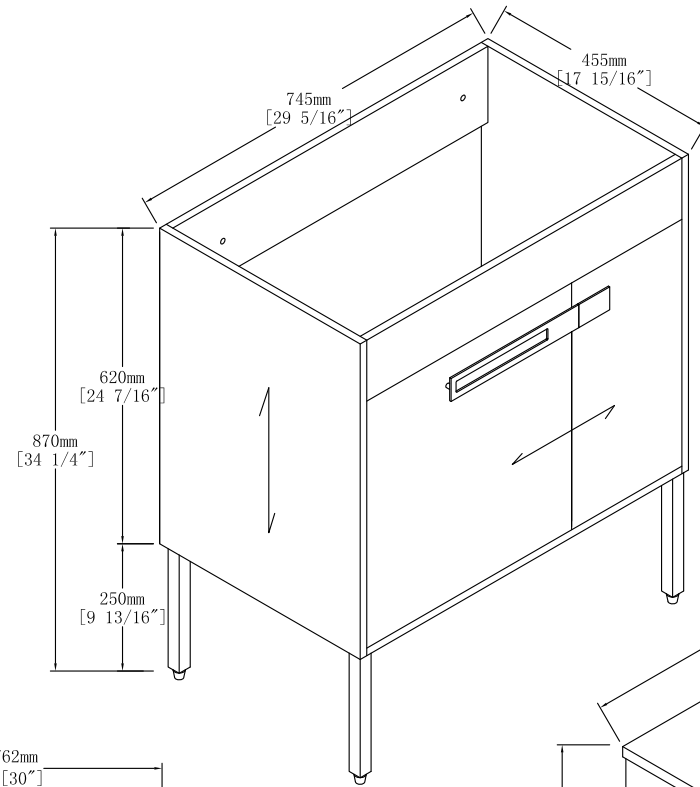
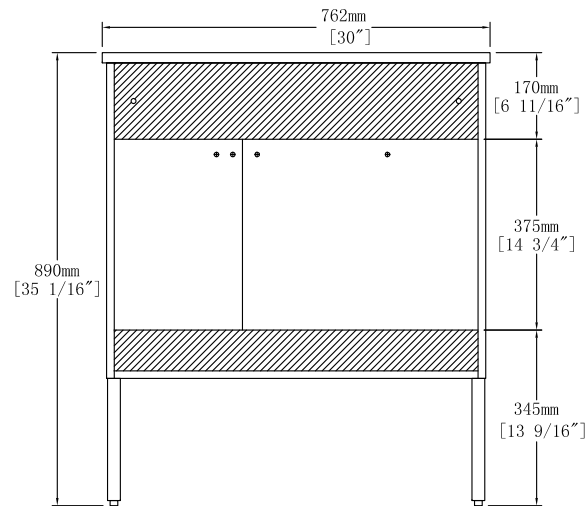


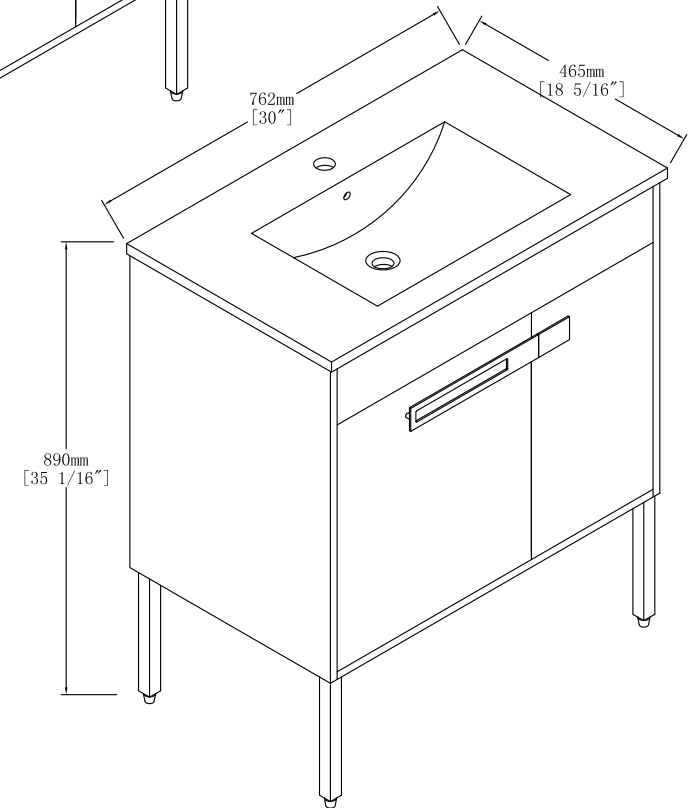
Top View



Front View



Back View



Item NO.

BV B00330

Version

V1

Projece

Date

2021-12-6