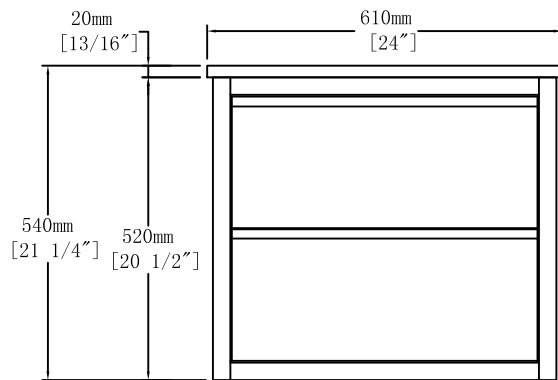
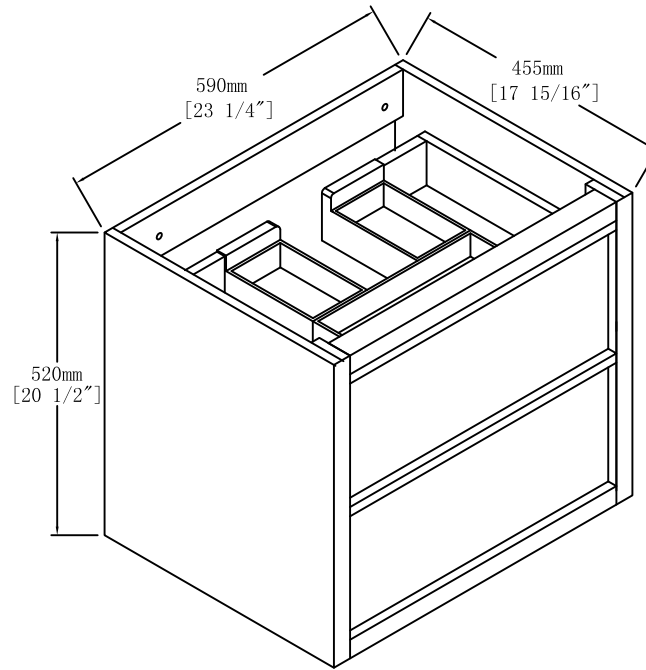
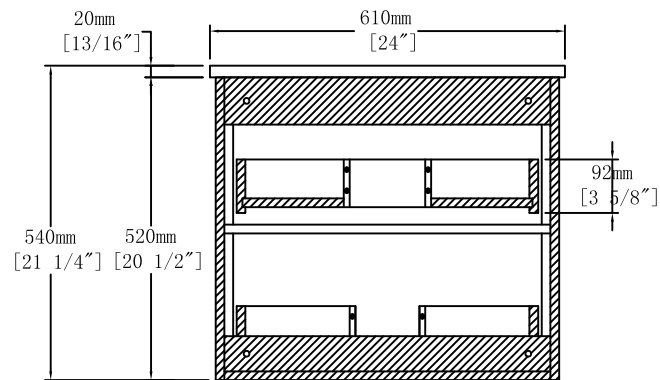


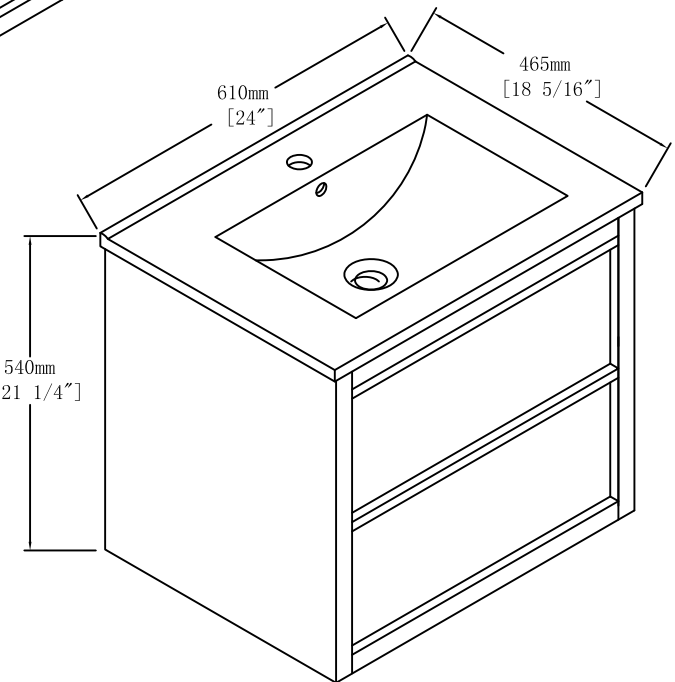
Top View



Front View



Front View



Item NO. BV A02524

Projece

Version V1

Date 2022-10-21