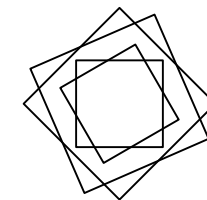
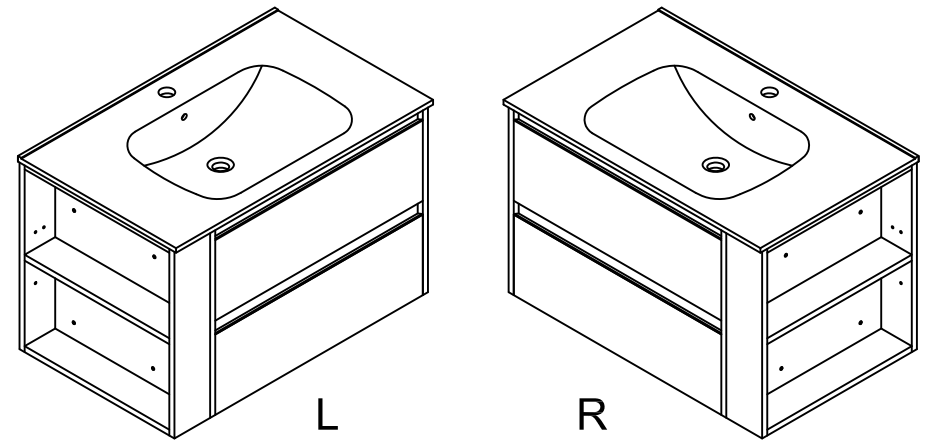


THANKS FOR WATCHING

Your feedback is invaluable to us and we would love to hear about your experience. Please take the time to leave us a review.



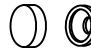



Thank you for shopping with us!

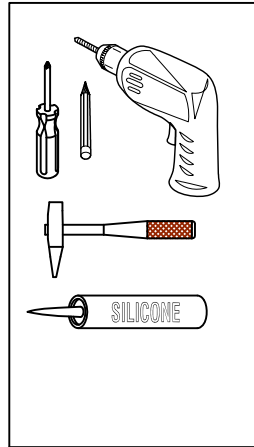
We encourage you to take a few minutes to go through this booklet. It contains important information on installation and care tips to keep your furniture looking as good as new.

Item NO.: BV B05530 / B05536

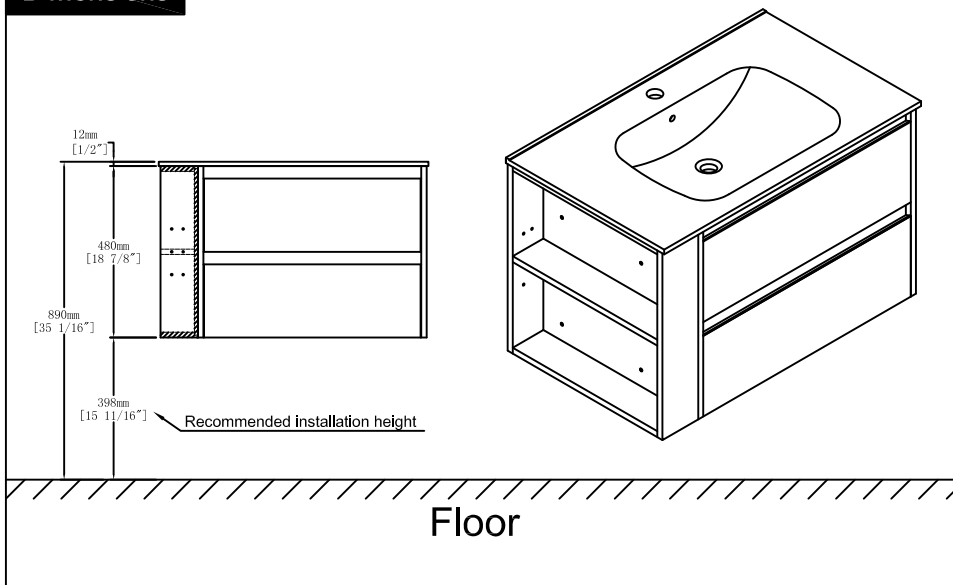
Hardware

NO.	Draw	QTY
A	 Plastic anchor(Ø10mm)	4
B	 Screws for fix on the wall	4
C	 Decorative cover	4
D	 Screws Ø4x20mm	4

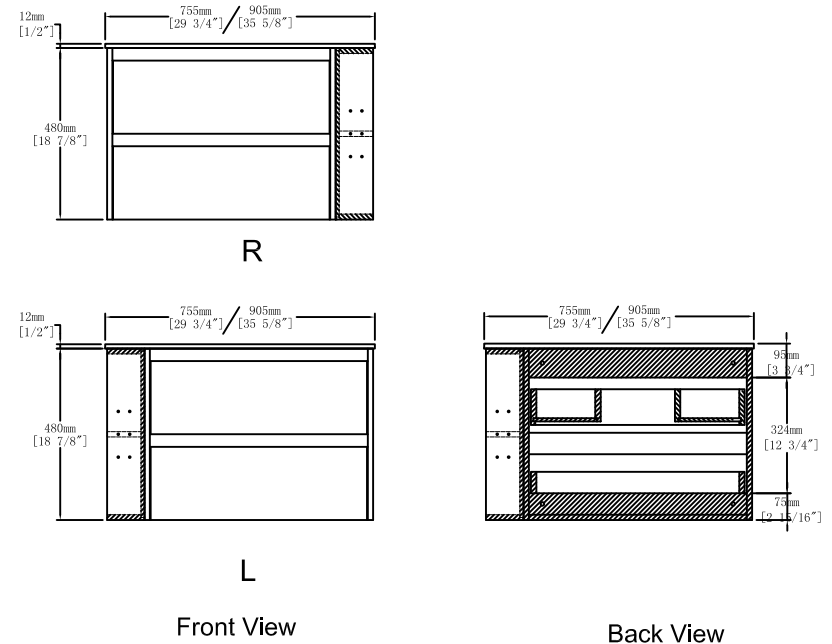
Recommended tools



Dimensions



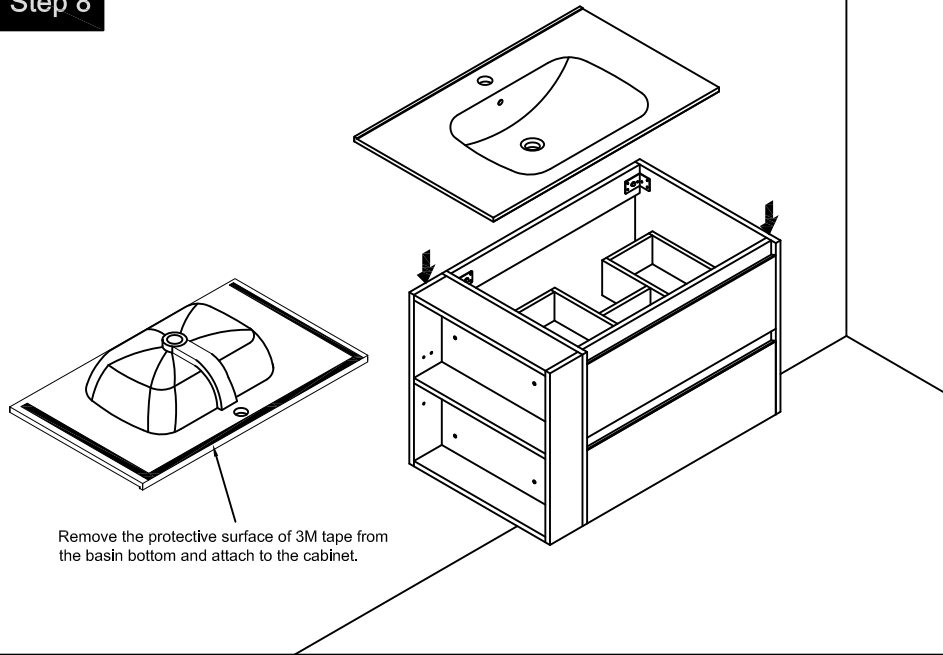
Dimensions



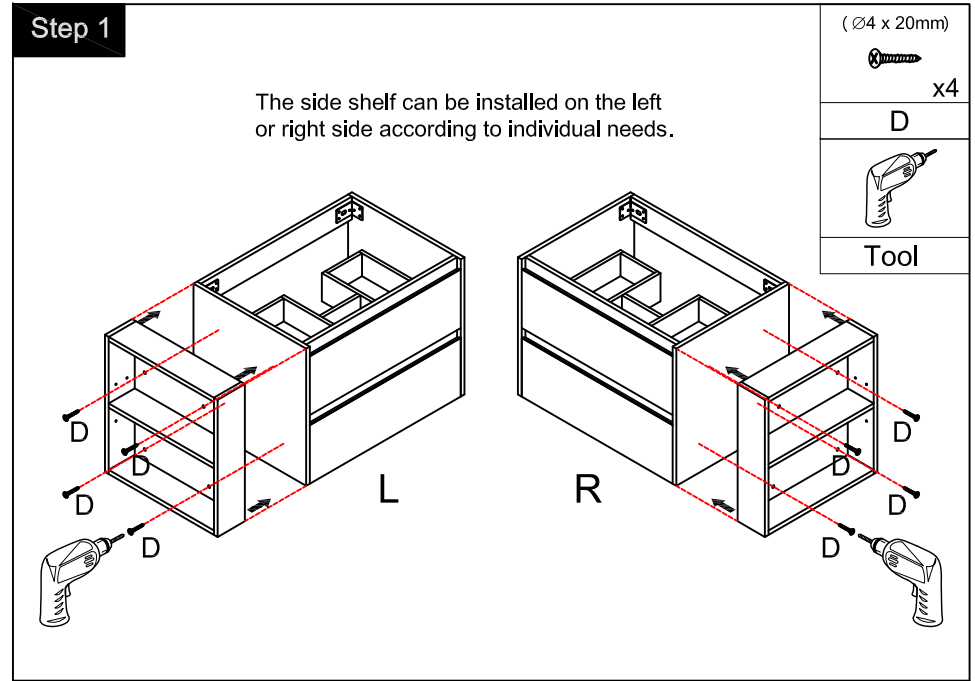
CARE CLEANING AND MAINTENANCE

1. Dust regularly with a soft , dry cloth.
2. Avoid the use of all chemicals household cleaners, abrasives, or cleaners that contain lemon, vinegar, or other acids that may damage the finish.
3. Excessive exposure to sunlight and extreme changes in temperature and moisture can damage wood furniture.
4. The sink top is resilient, but care needs to be taken to preserve its appearance.
5. Do not place hot appliances, such as curling irons and hot hair dryers directly on the countertop. Wipe spills immediately.

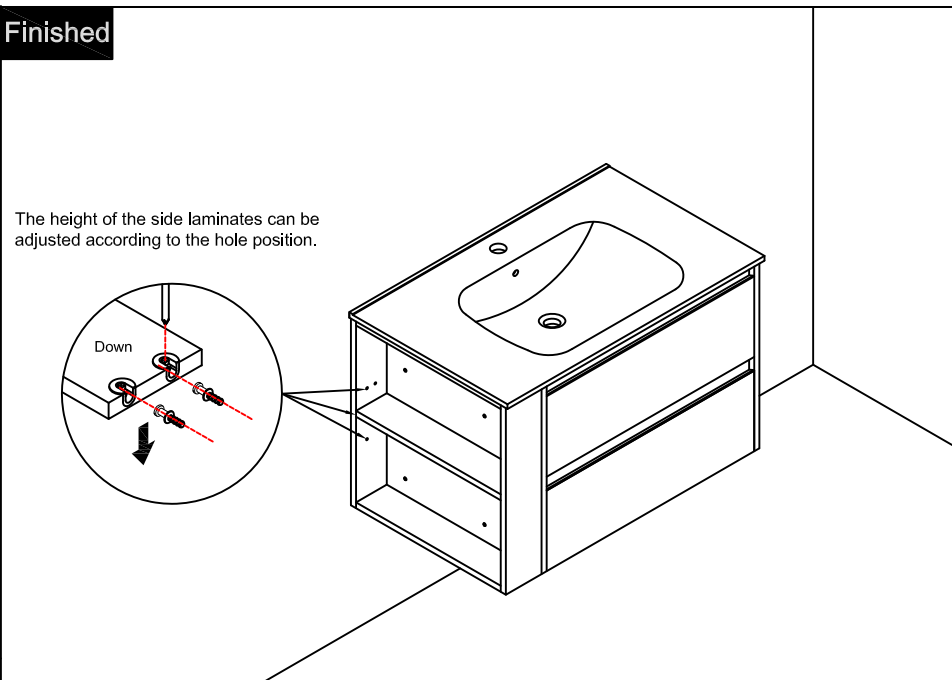
Step 8



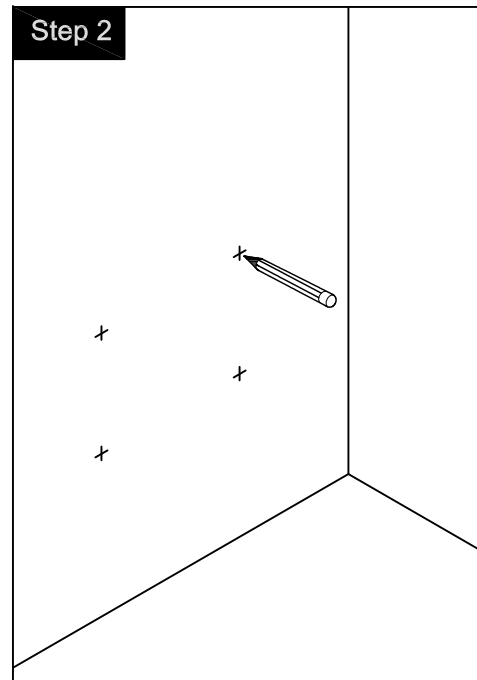
Step 1



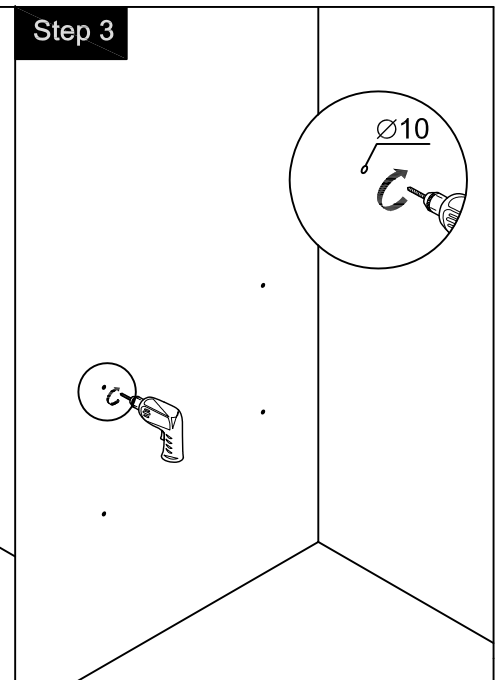
Finished



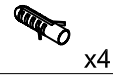
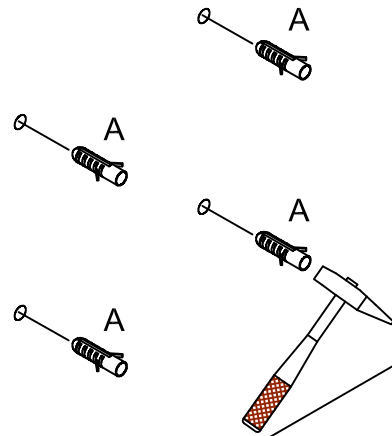
Step 2



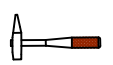
Step 3



Step 4

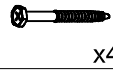
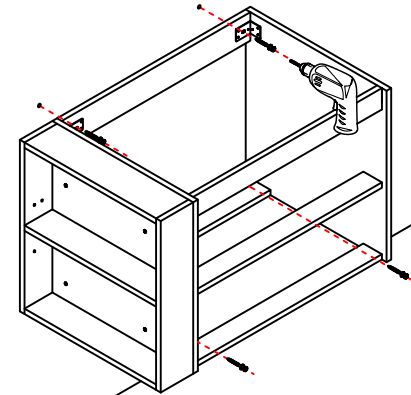
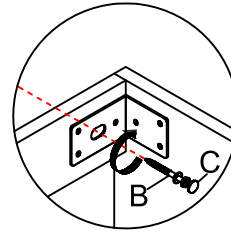


A

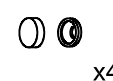


Tool

Step 6



B

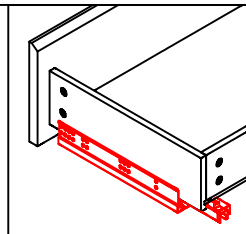
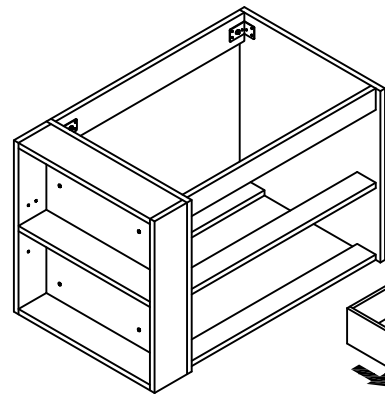


C

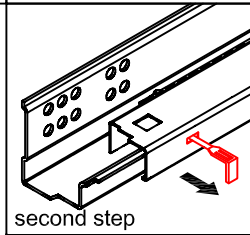
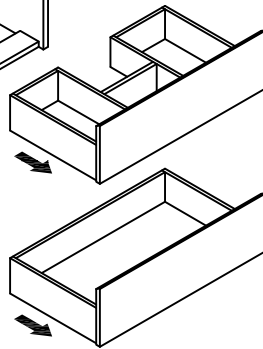
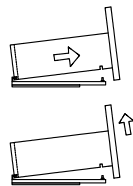


Tool

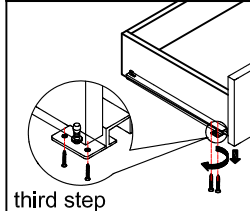
Step 5



first step

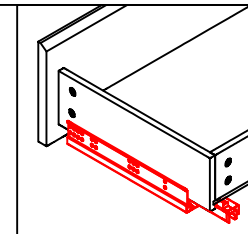
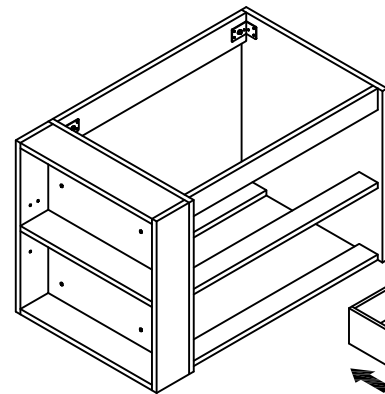


second step

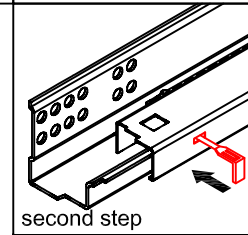
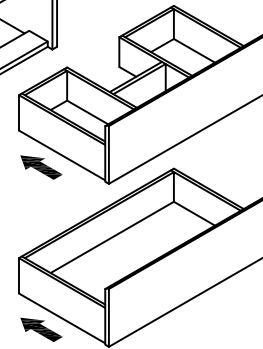
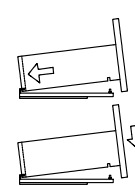


third step

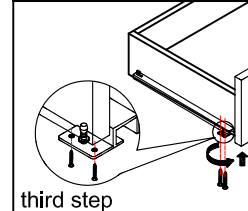
Step 7



first step



second step



third step