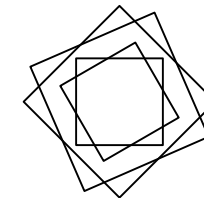
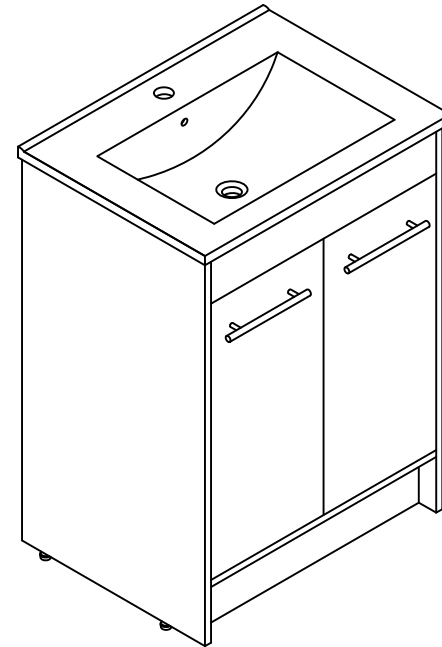


THANKS FOR WATCHING

Your feedback is invaluable to us and we would love to hear about your experience. Please take the time to leave us a review.







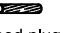



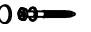


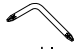




Thank you for shopping with us!

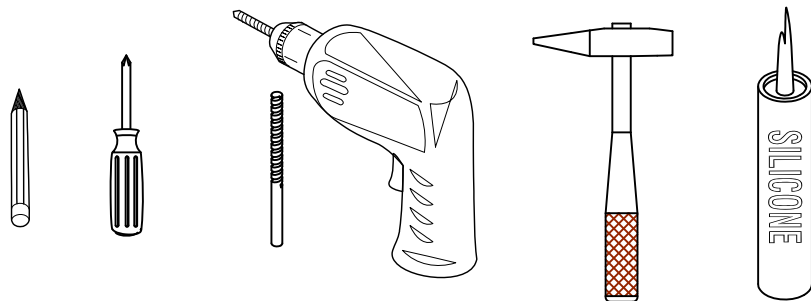
We encourage you to take a few minutes to go through this booklet. It contains important information on installation and care tips to keep your furniture looking as good as new.

Item NO.:BV B05224

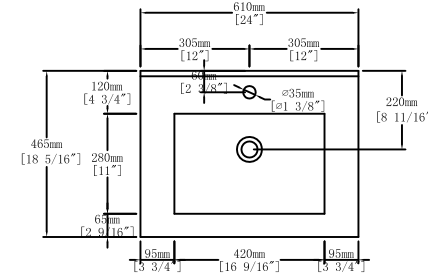
Hardware

NO.	Draw	QTY	NO.	Draw	QTY
A	 Screws Ø4x14mm	44	I	 Hinges	4
B	 Two-in-one connector	26	J	 Handle	2
C	 Two-in-one connector	26	K	 Screws M4x18mm	4
D	 Wood plug	6	L	 Anti-collision gasket	4
E	 Plastic anchor(Ø10mm)	2	M	 Adjustable feet	4
F	 Screws for fix on the wall	2	N	 Door stopper	2
G	 Bracket (53x70x44mm)	2	O	 Screwdriver	1
H	 Bracket (19x19x35mm)	2	P	 Movable laminate support	4

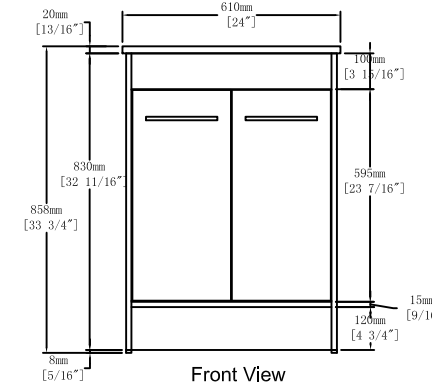
Recommended tools



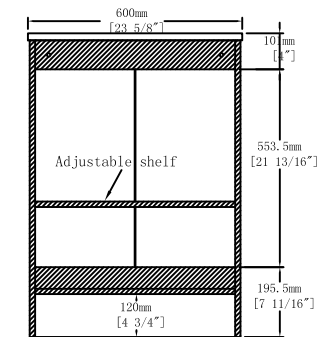
Dimensions



Top View



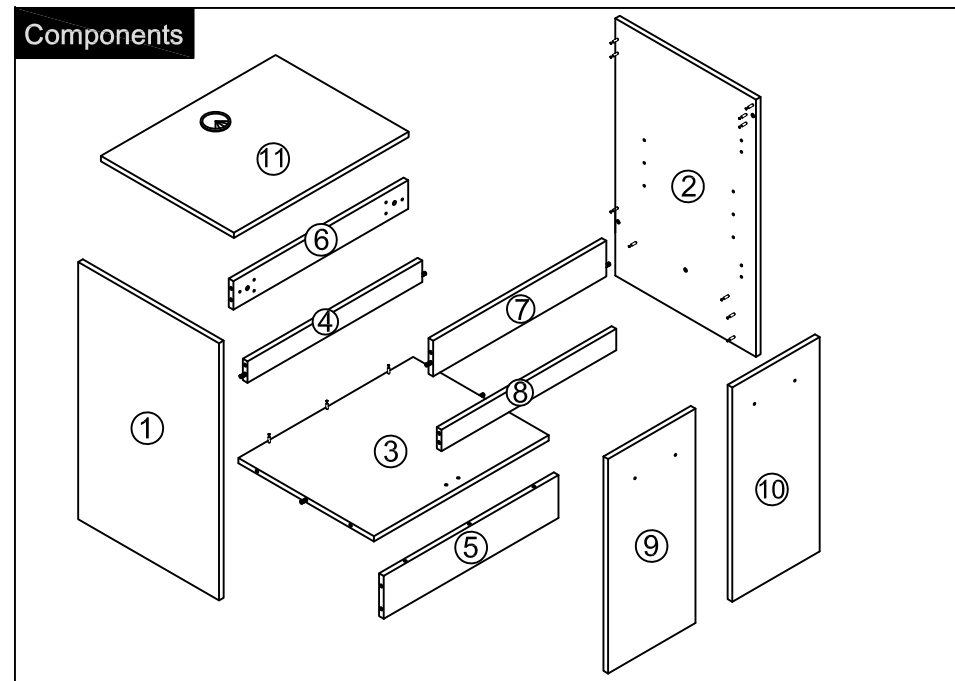
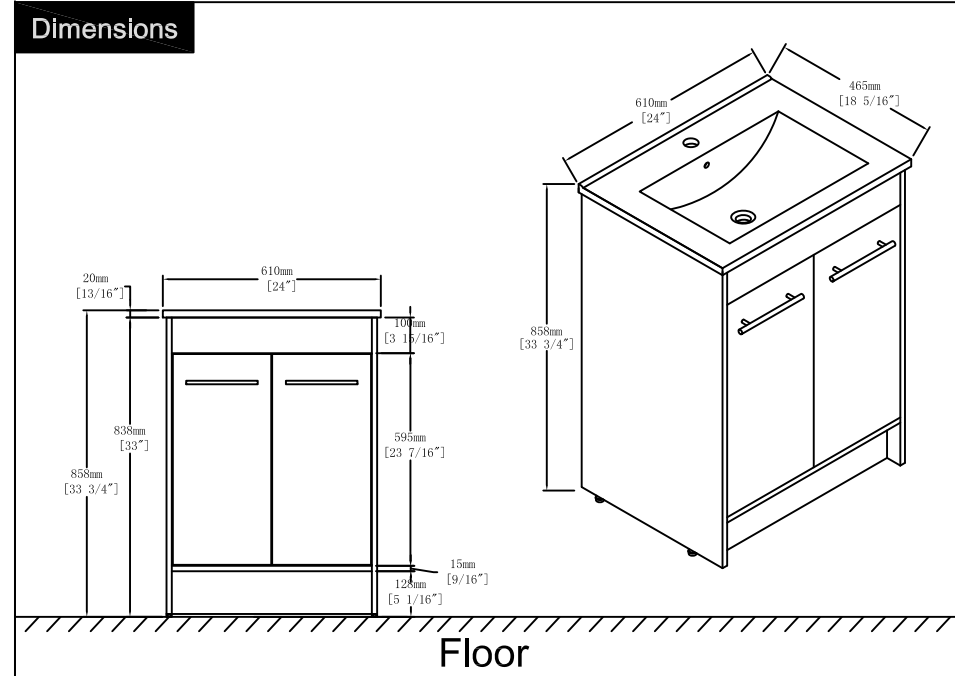
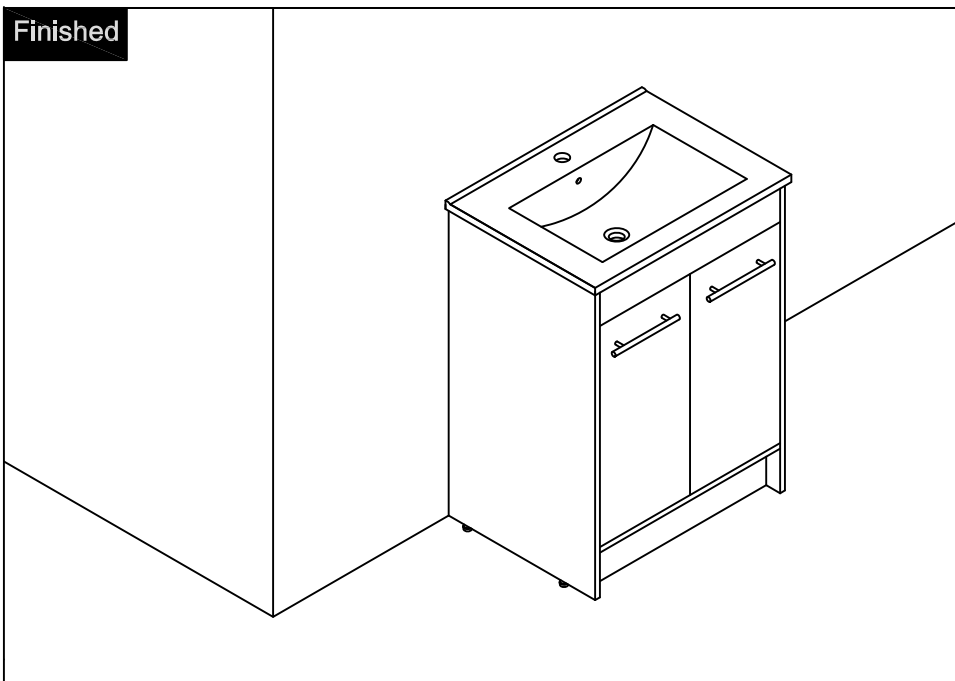
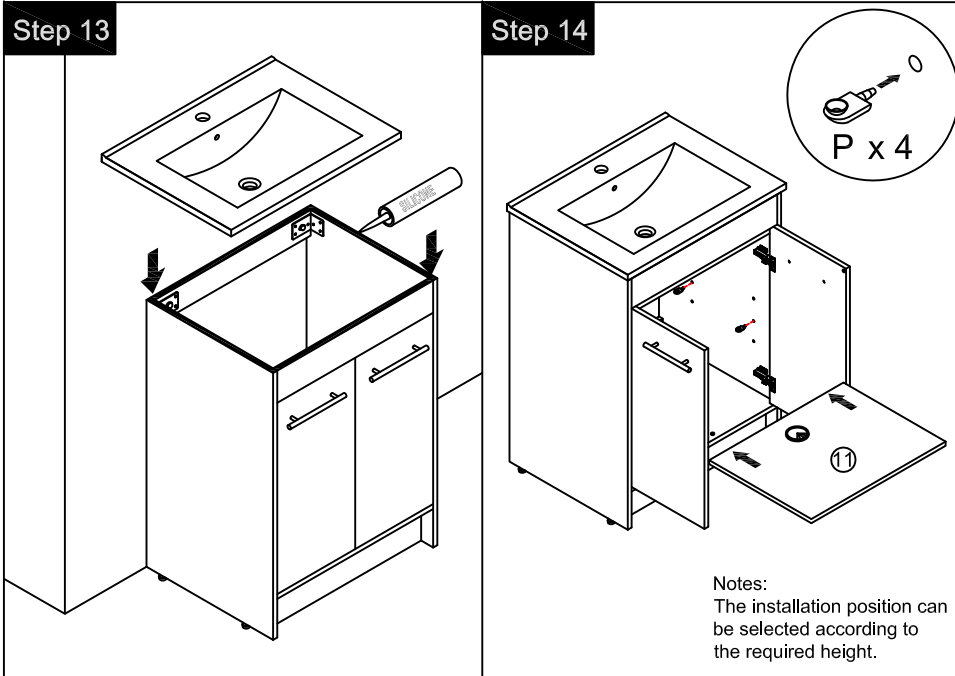
Front View



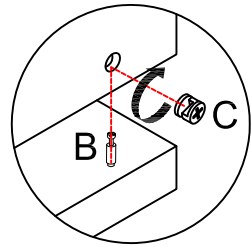
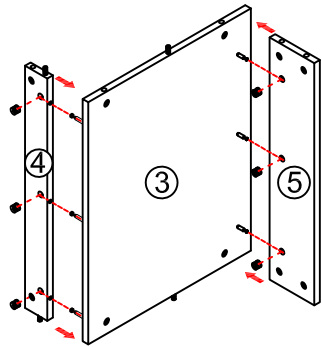
Back View

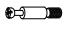

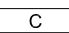

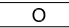
CARE CLEANING AND MAINTENANCE

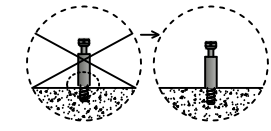
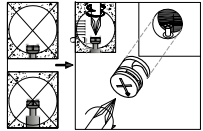
1. Dust regularly with a soft , dry cloth.
2. Avoid the use of all chemicals household cleaners, abrasives, or cleaners that contain lemon, vinegar, or other acids that may damage the finish.
3. Excessive exposure to sunlight and extreme changes in temperature and moisture can damage wood furniture.
4. The sink top is resilient, but care needs to be taken to preserve its appearance.
5. Do not place hot appliances, such as curling irons and hot hair dryers directly on the countertop. Wipe spills immediately.



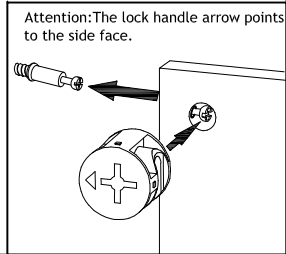
Step 1



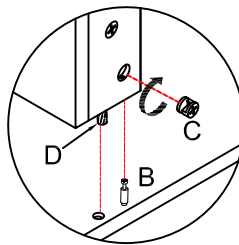
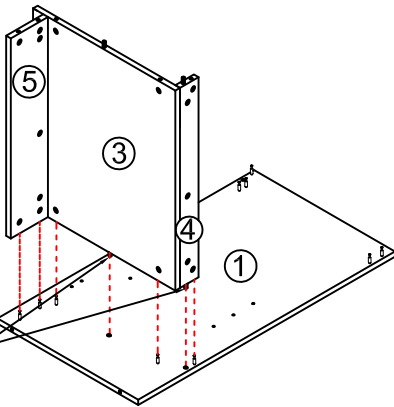
-  x6
-  x6
-  x6
-  x6
-  x1

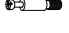

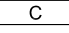
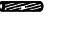
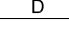



Notes: Screw installation depth as shown



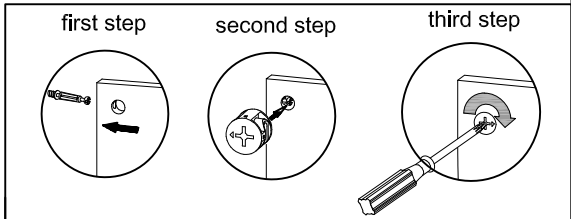
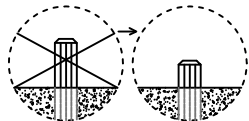
Step 2



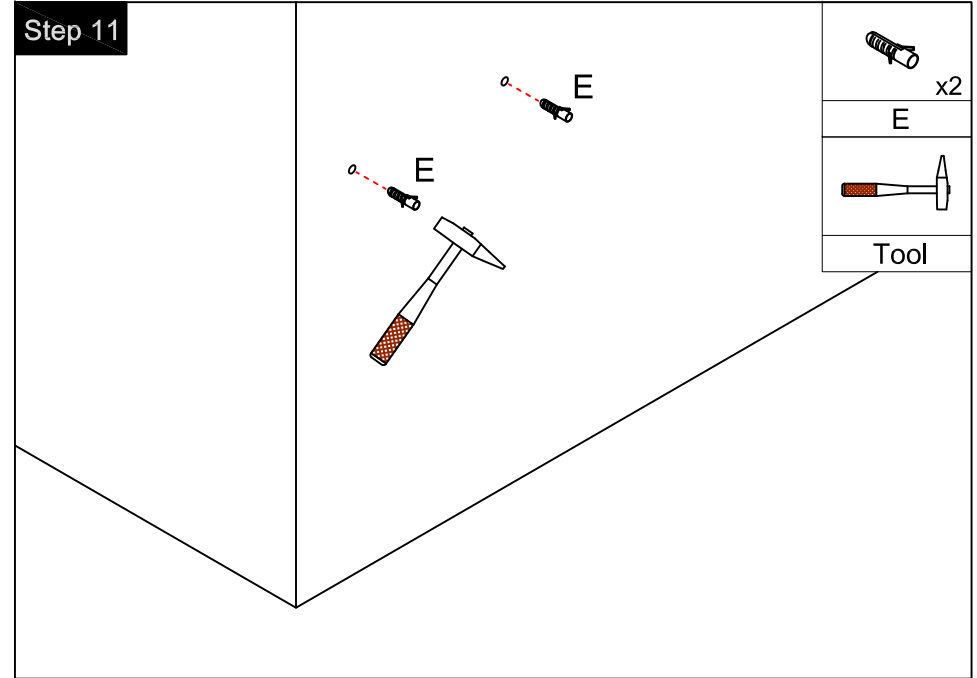
-  x5
-  x5
-  x5
-  x5
-  x2
-  x1



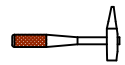


Note: The D parts are used for these two holes

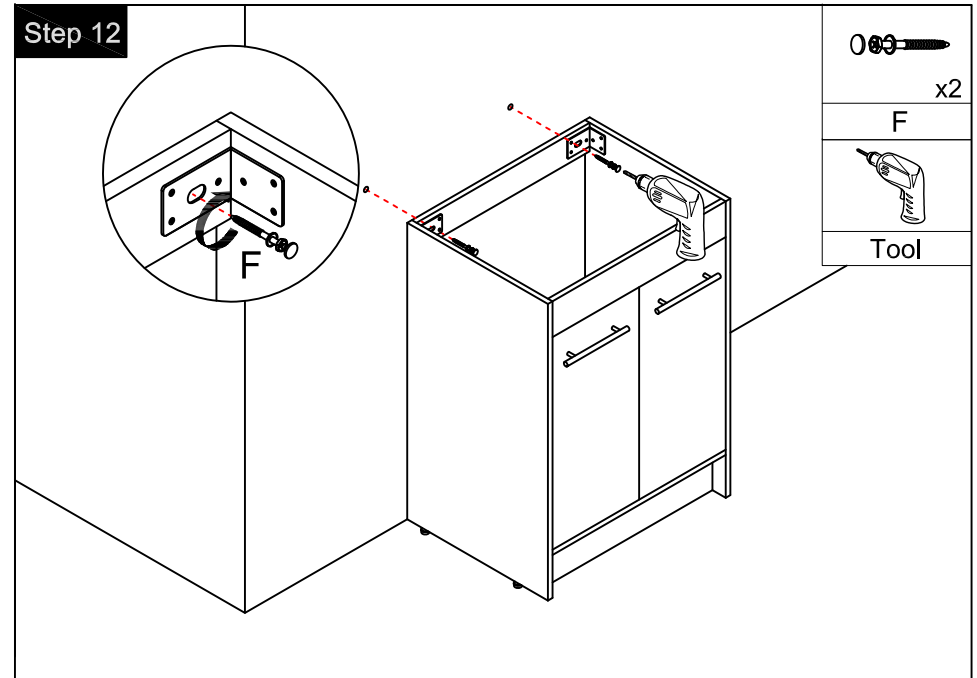





Step 11

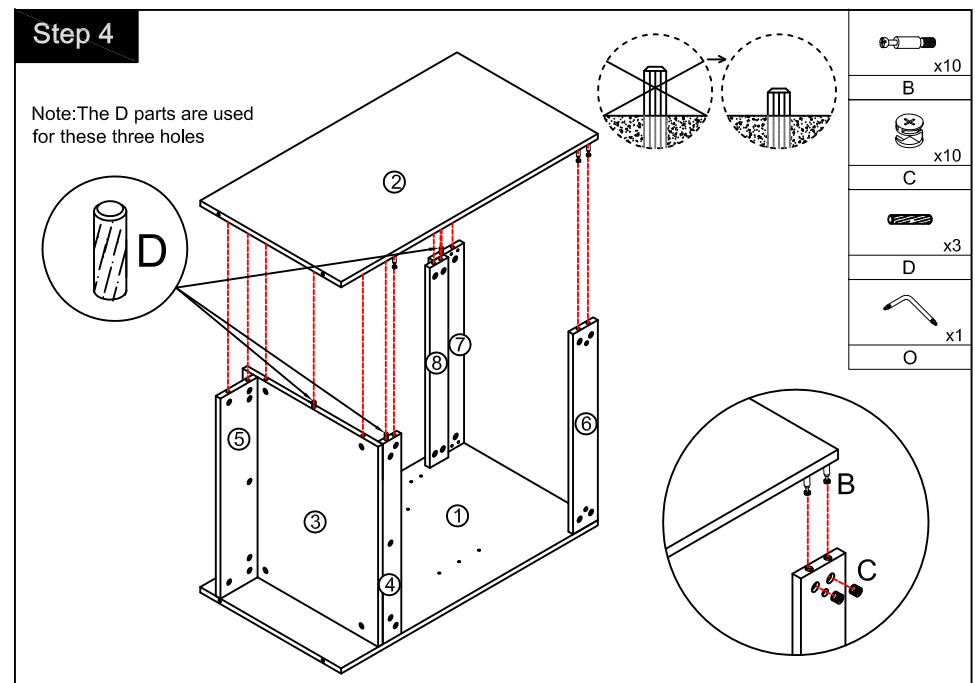
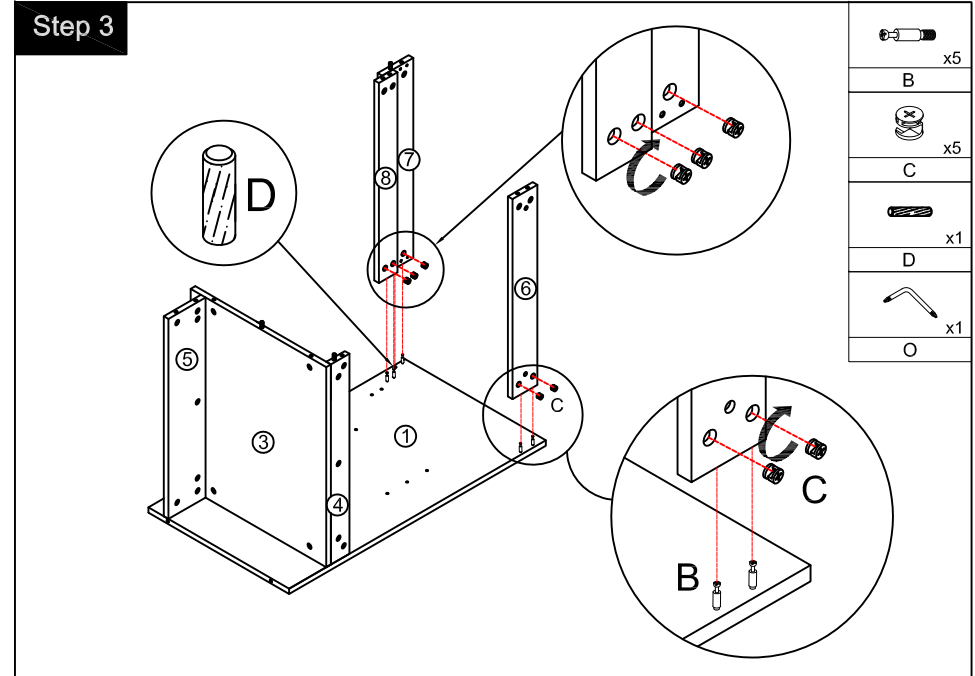
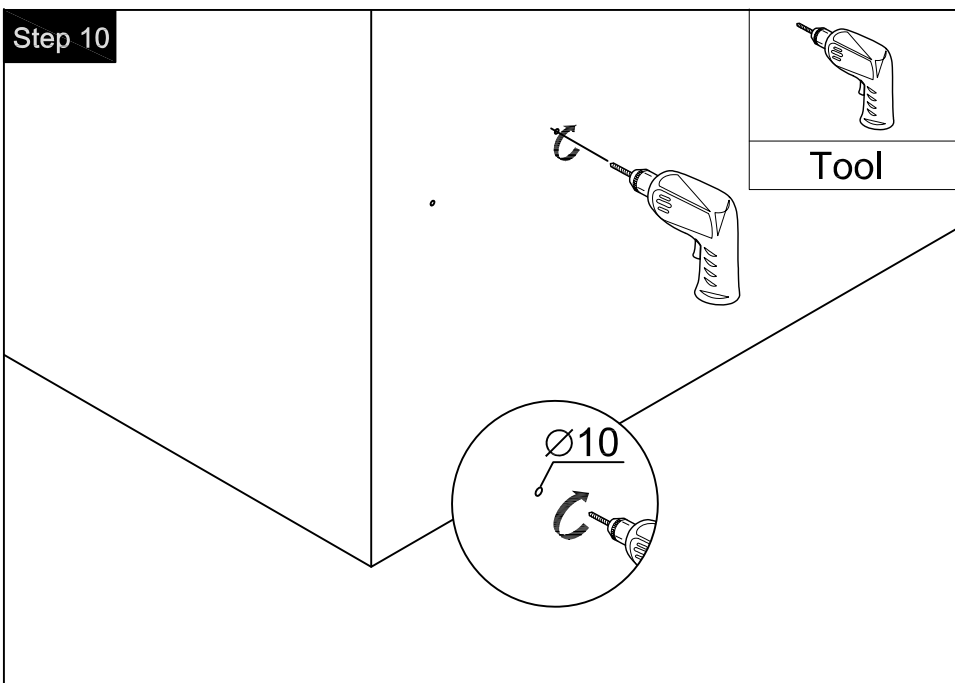
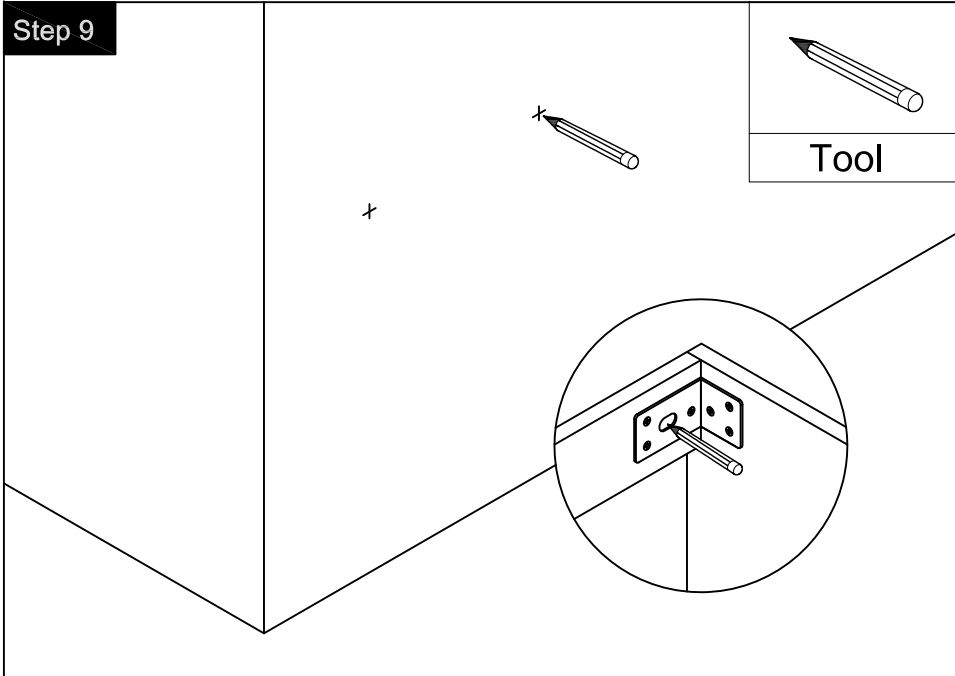


-  x2
-  x2
-  Tool

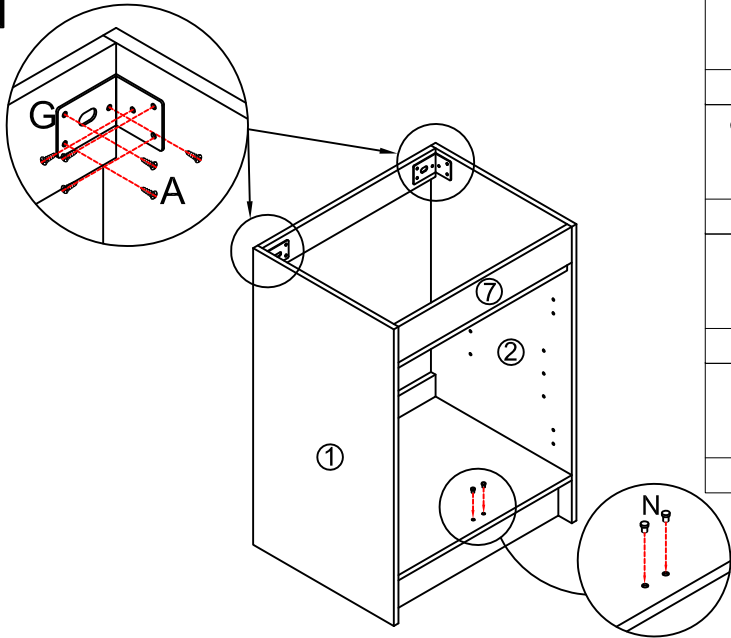
Step 12



-  x2
-  x2
-  Tool

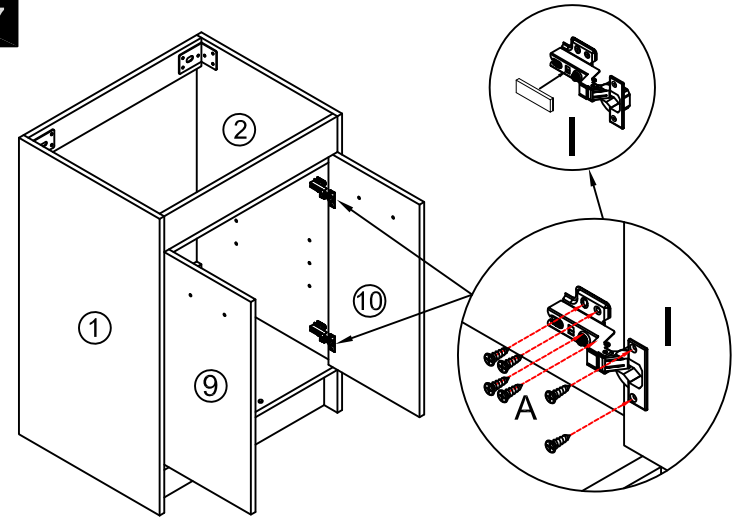


Step 5



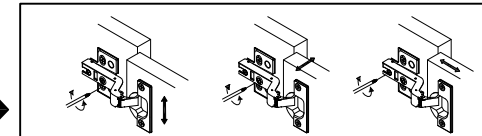
	x2
G	(∅4 x 14mm)
	x12
A	
	x2
N	
	Tool

Step 7

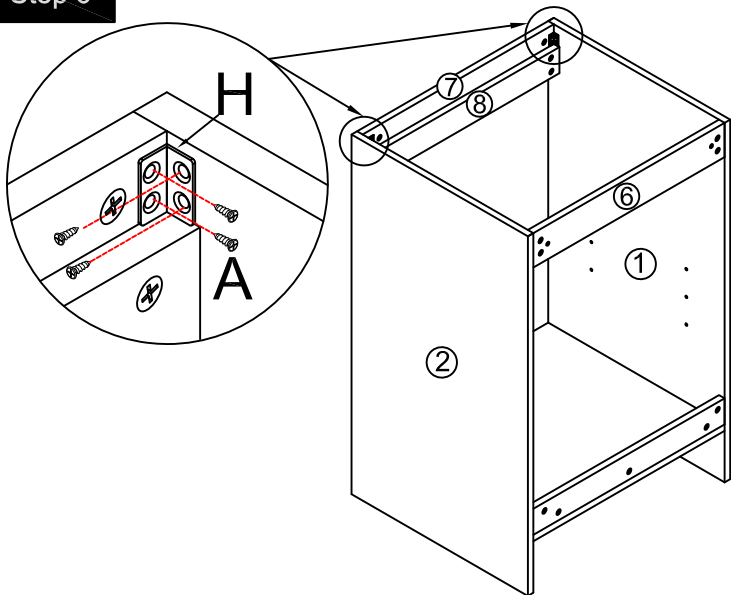


	x4
I	(∅4 x 14mm)
	x24
A	
	Tool

You can adjust the doors by tightening or loosening the screws on the hinge. →

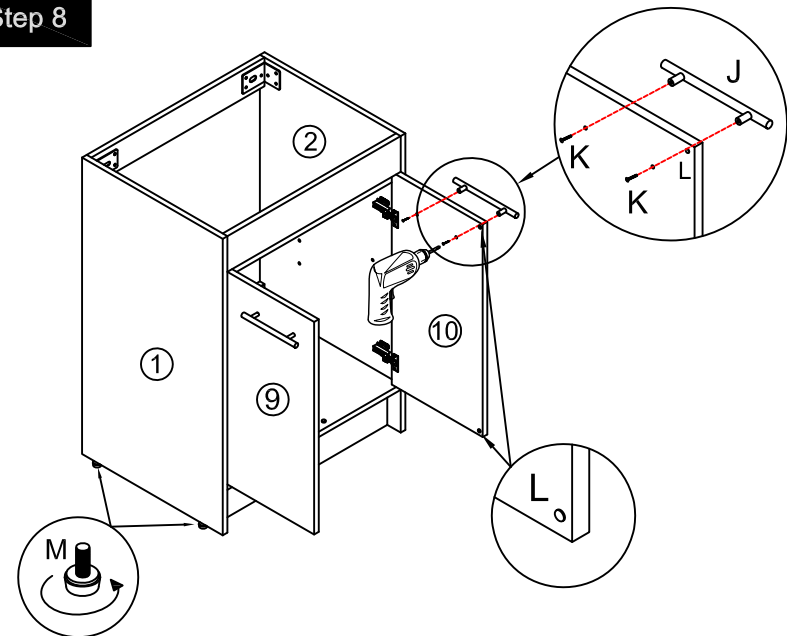


Step 6



	x2
H	(∅4 x 14mm)
	x8
A	
	Tool

Step 8



	x2
J	
	x4
K	
	x4
L	
	x4
M	
	Tool