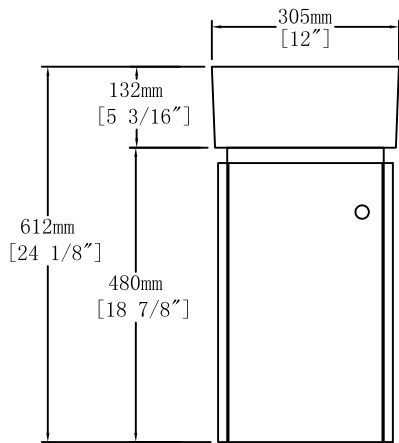
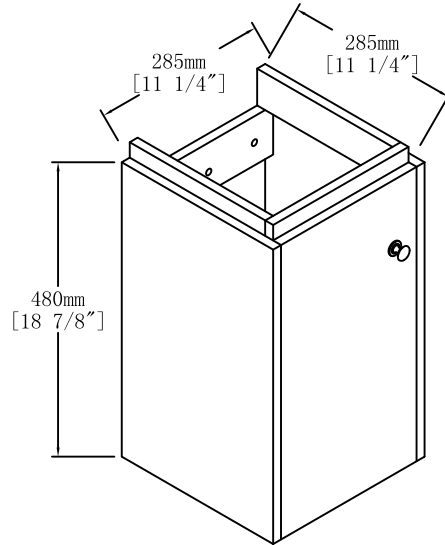
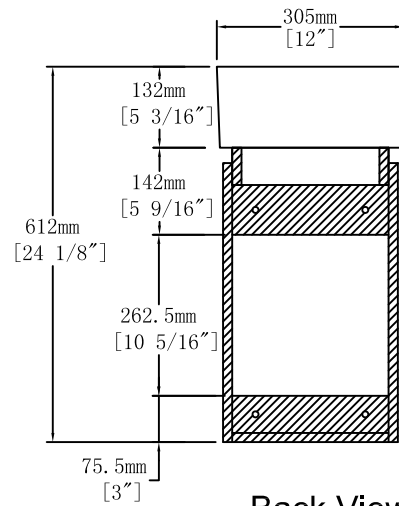


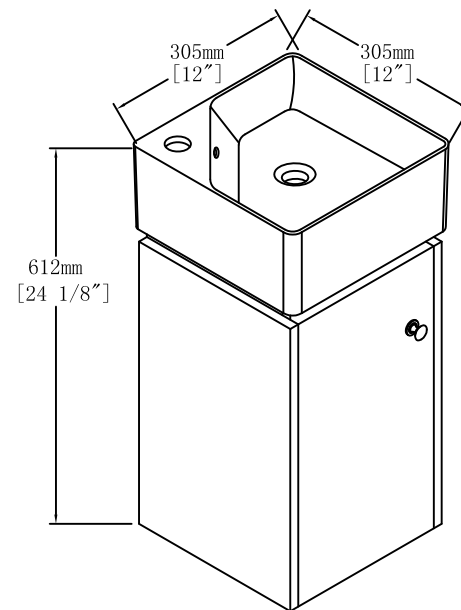
Top View



Front View



Back View



Item NO.

BV C04512

Version

V1

Project

Date

2022-12-3