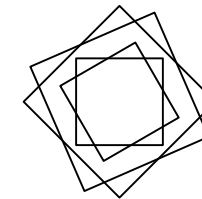
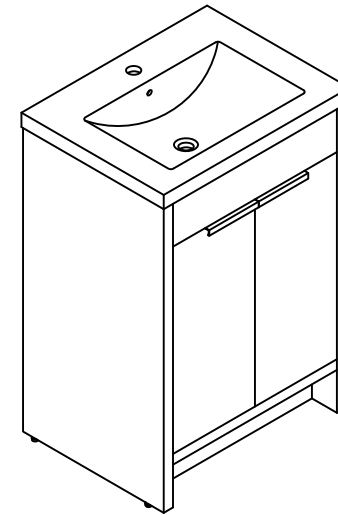


THANKS FOR WATCHING

Your feedback is invaluable to us and we would love to hear about your experience. Please take the time to leave us a review.

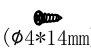

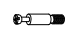
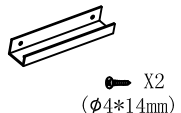






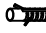

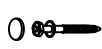



Thank you for shopping with us!

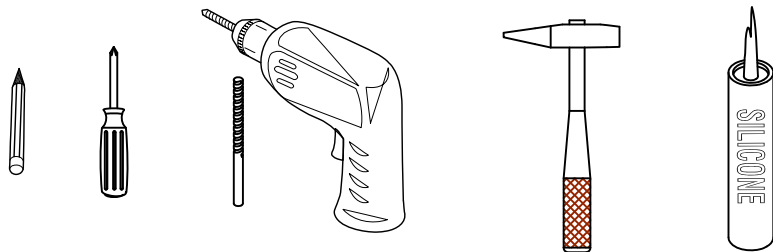
We encourage you to take a few minutes to go through this booklet. It contains important information on installation and care tips to keep your furniture looking as good as new.

Item NO.:BV B02424/30/36

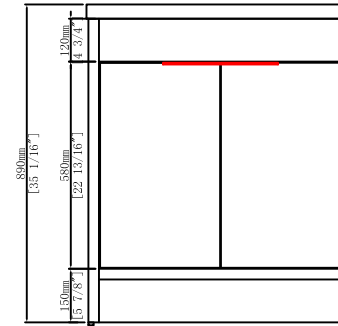
Hardware

| NO. | Draw | QTY | NO. | Draw | QTY |
|-----|---|-----|-----|---|-----|
| A |  (Ø4*14mm) | 48 | I |  | 3 |
| B |  | 28 | K |  X2 (Ø4*14mm) | 2 |
| C |  | 28 | L |  | 4 |
| D |  | 4 | N |  | 4 |
| E |  | 2 | O |  | 4 |
| F |  | 2 | P |  | 2 |
| G |  | 2 | | | |
| H |  | 2 | | | |

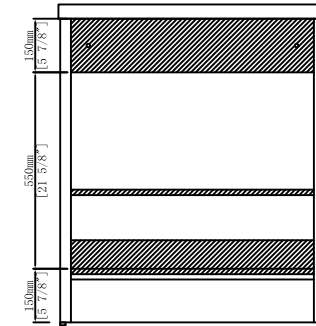
Recommended tools



Dimensions



Front View

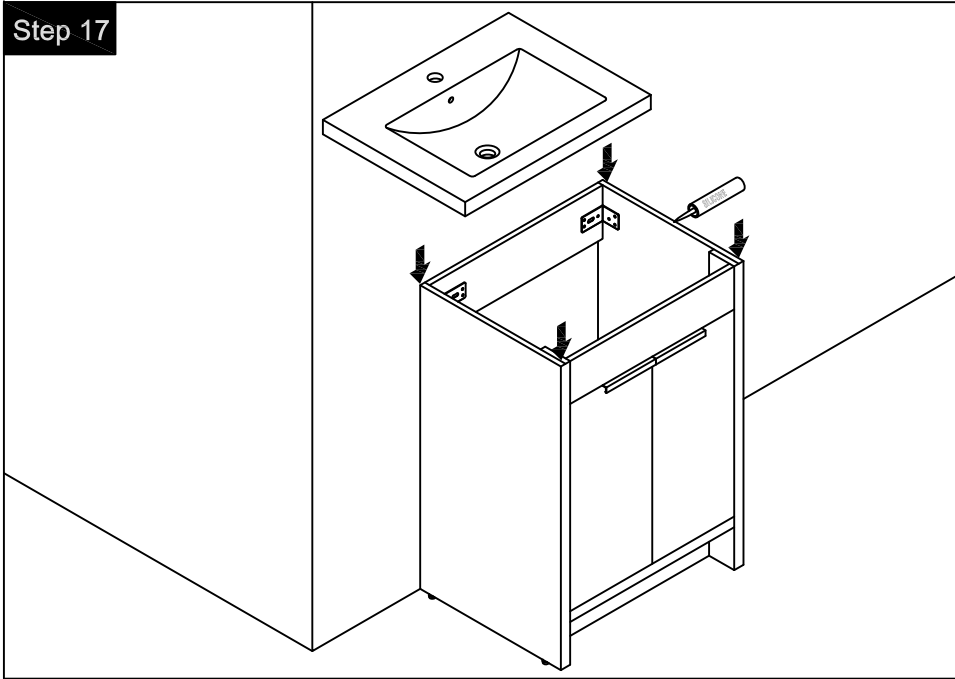


Back View

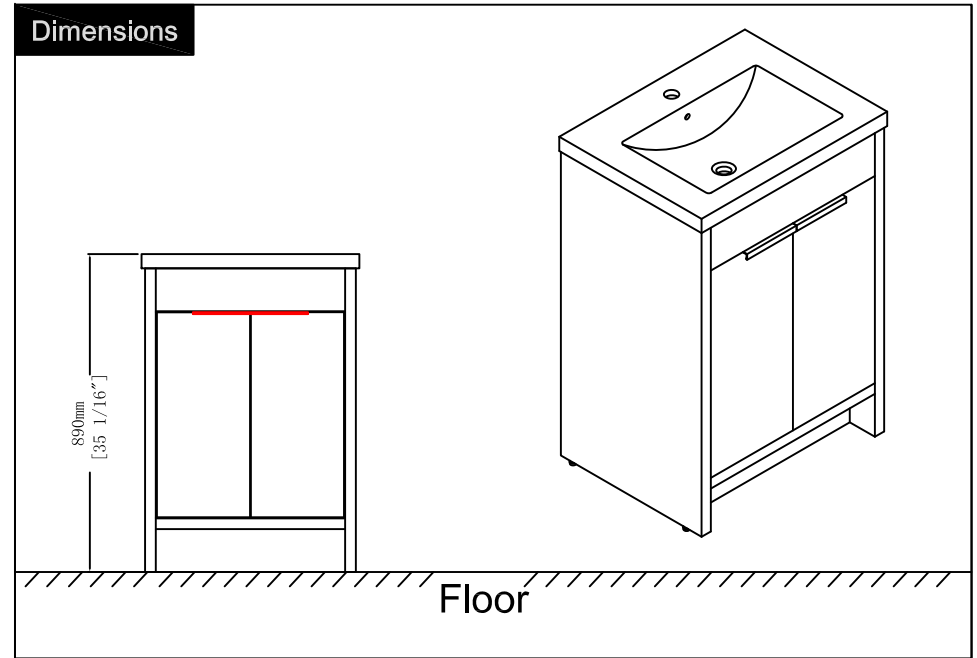
CARE CLEANING AND MAINTENANCE

1. Dust regularly with a soft , dry cloth.
2. Avoid the use of all chemicals household cleaners, abrasives, or cleaners that contain lemon, vinegar, or other acids that may damage the finish.
3. Excessive exposure to sunlight and extreme changes in temperature and moisture can damage wood furniture.
4. The sink top is resilient, but care needs to be taken to preserve its appearance.
5. Do not place hot appliances, such as curling irons and hot hair dryers directly on the countertop. Wipe spills immediately.

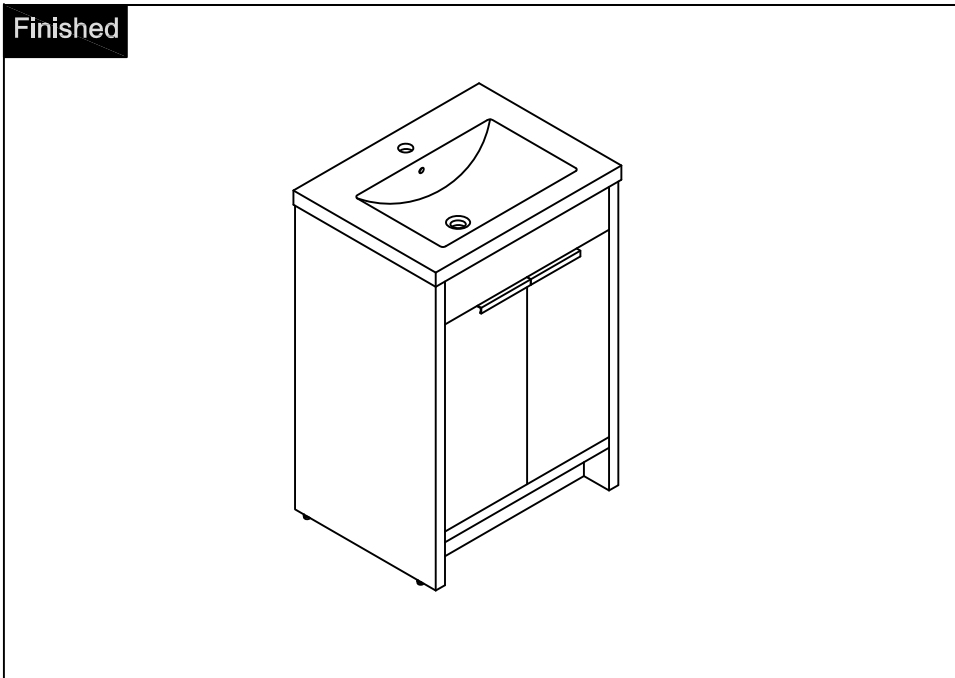
Step 17



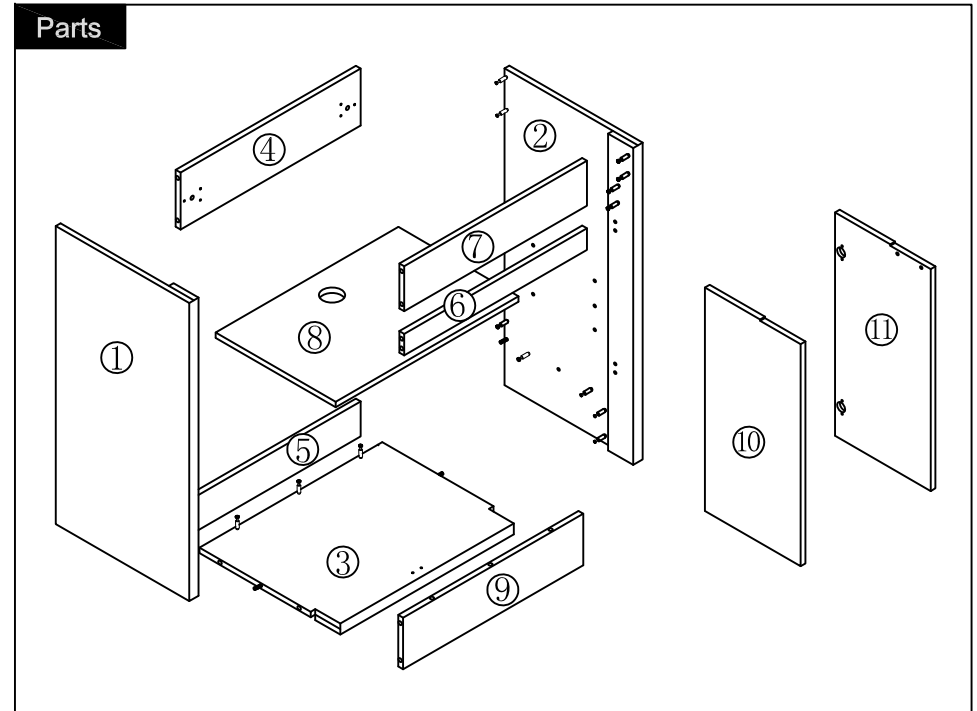
Dimensions

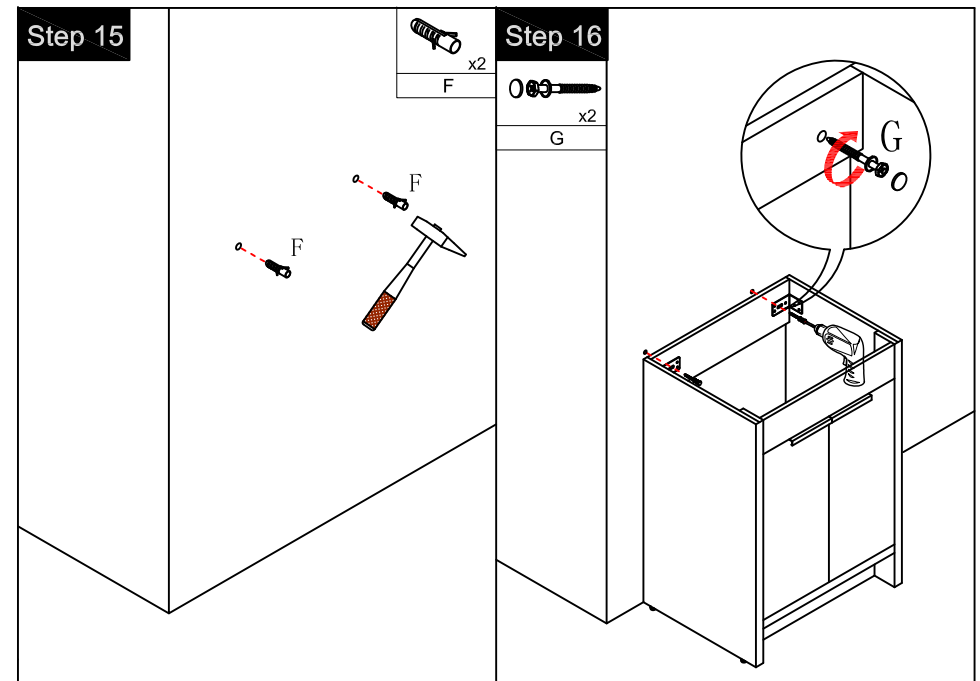
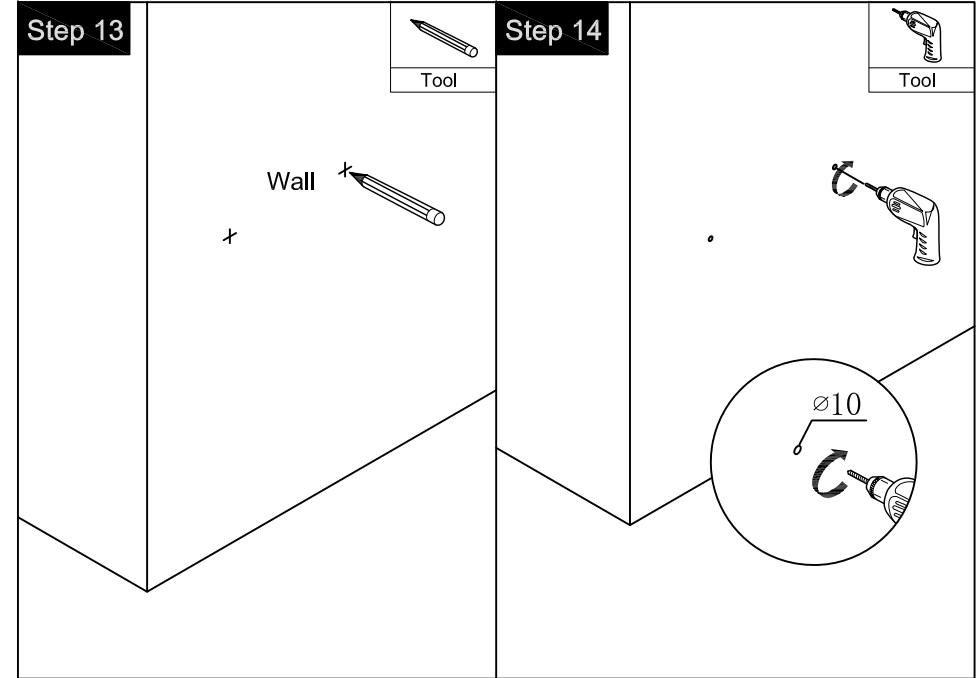
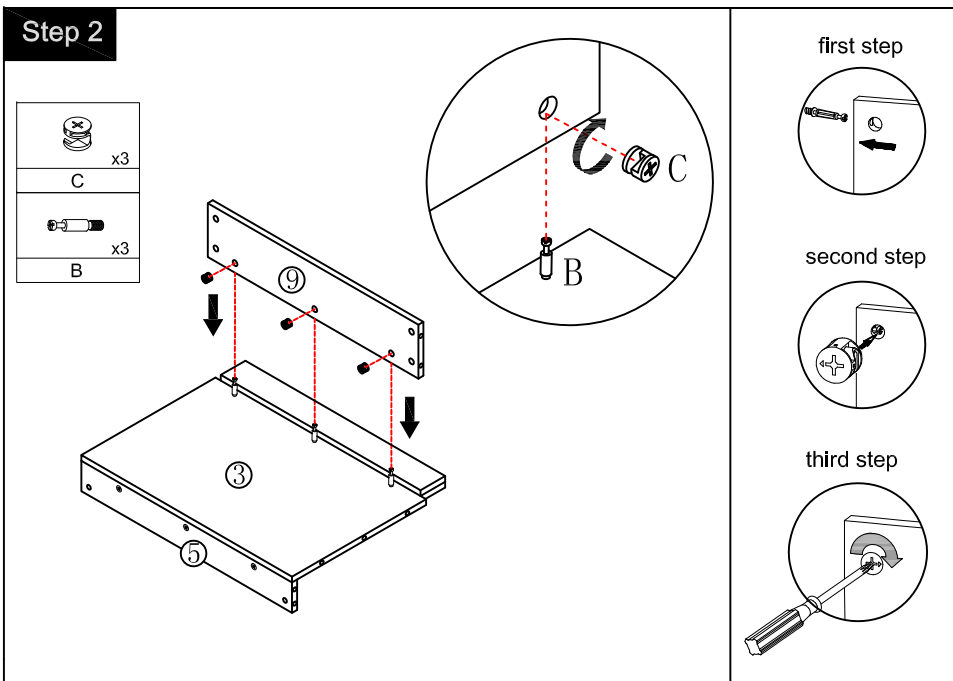
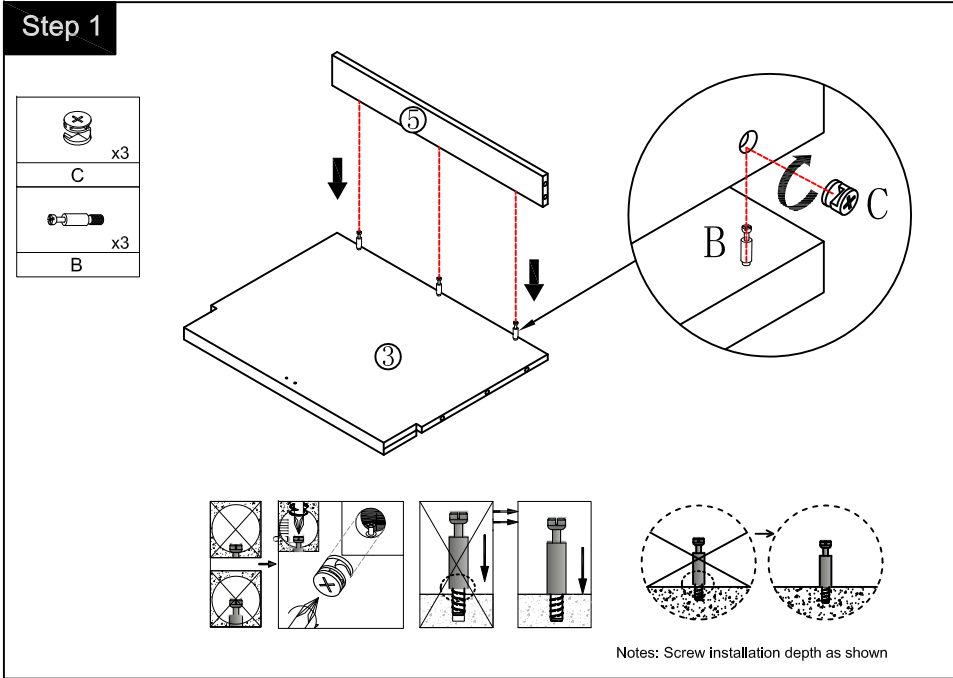


Finished





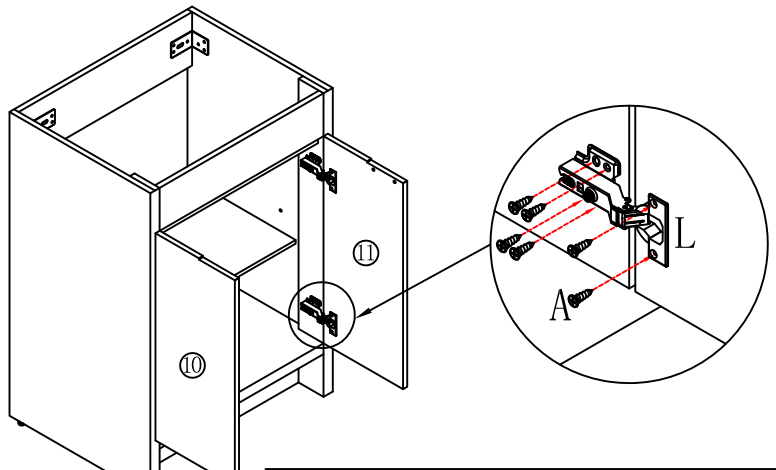
Parts



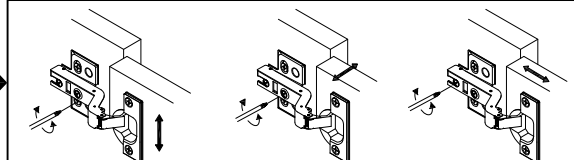


Step 11

| | |
|---|-----|
|  | x4 |
| L (Ø4 x 14mm) | |
|  | x24 |
| A | |

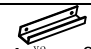
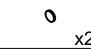


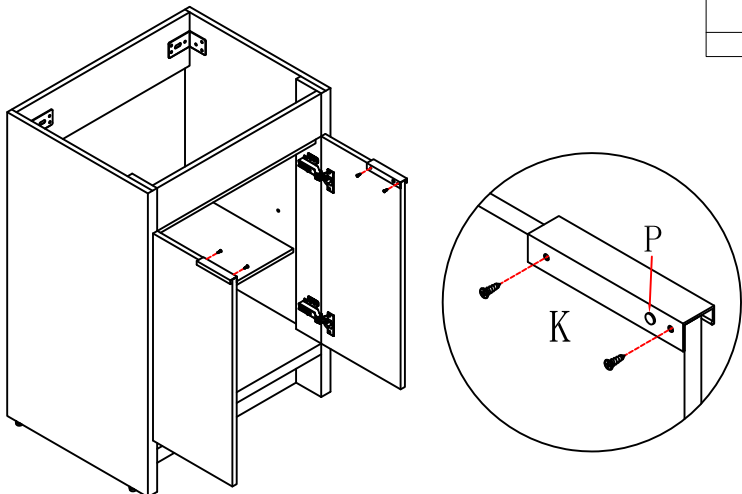
You can adjust the doors by tightening or loosening the screws on the hinge.




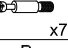
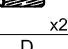
Step 12

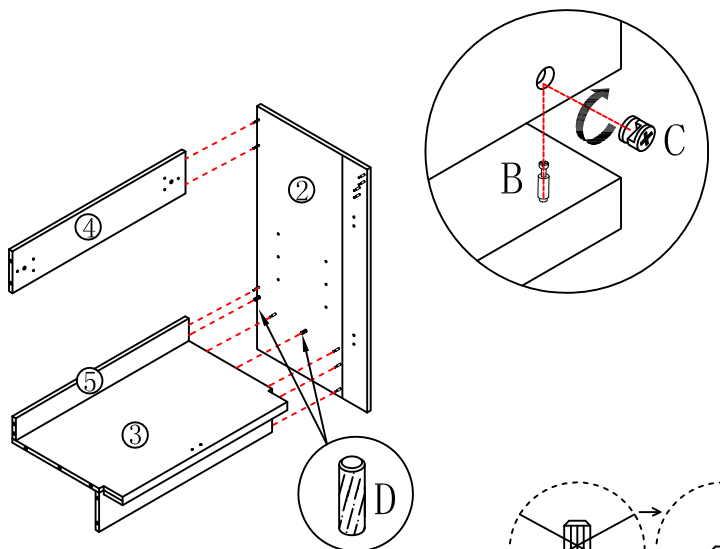
Congratulations!
Completing the step,
the cabinet base has been assembled

| | |
|--|----|
|  | x2 |
| K (Ø4 x 14mm) | |
|  | x2 |
| P | |




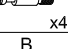
Step 3

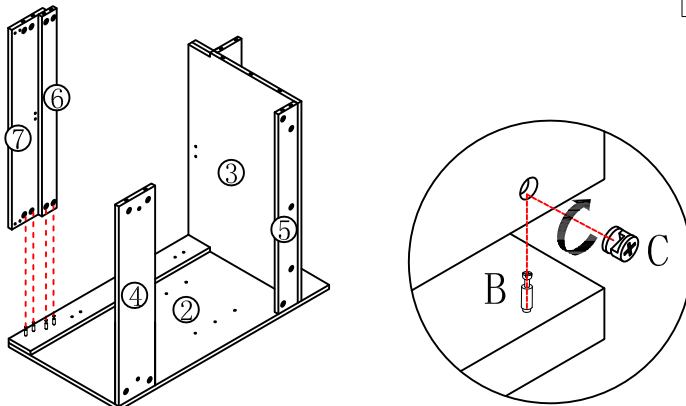
| | |
|---|----|
|  | x7 |
| C | |
|  | x7 |
| B | |
|  | x2 |
| D | |



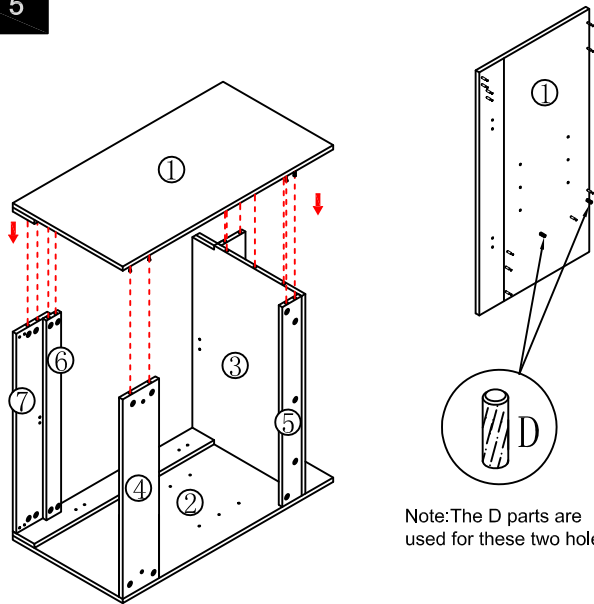
Note: The D parts are used for these two holes

Step 4

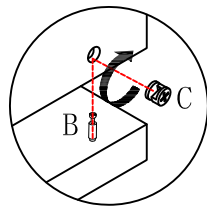
| | |
|---|----|
|  | x4 |
| C | |
|  | x4 |
| B | |



Step 5

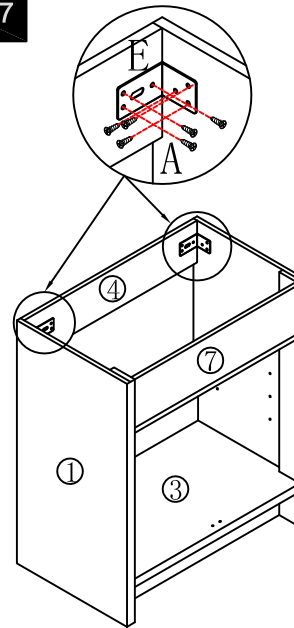


Note: The D parts are used for these two holes



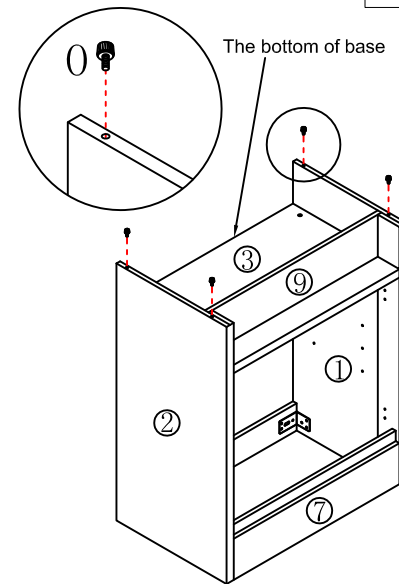
| | |
|---|-----|
| | x11 |
| C | |
| | x11 |
| B | |
| | x2 |
| D | |

Step 7



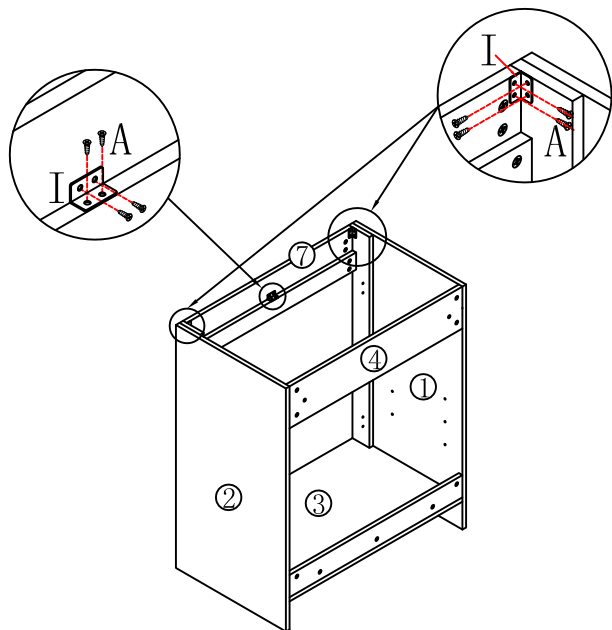
| | |
|--|-----|
| | x2 |
| E | |
| ($\varnothing 4 \times 14\text{mm}$) | |
| | x12 |
| A | |

Step 8



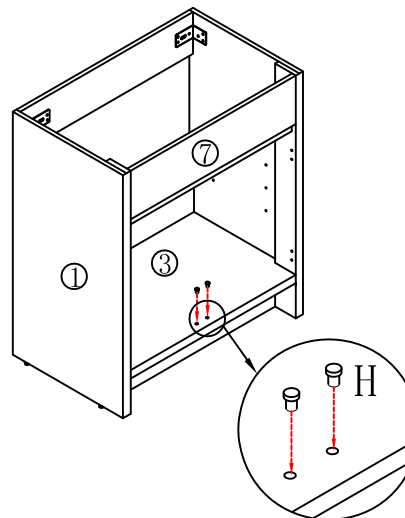
| | |
|---|----|
| | x4 |
| O | |

Step 6



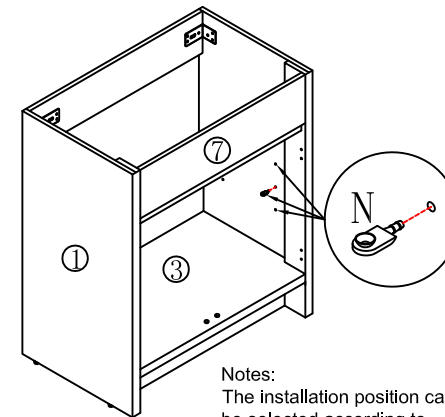
| | |
|--|-----|
| | x3 |
| I | |
| ($\varnothing 4 \times 14\text{mm}$) | |
| | x12 |
| A | |

Step 9



| | |
|---|----|
| | x2 |
| H | |

Step 10



| | |
|---|----|
| | x4 |
| N | |

Notes:
The installation position can be selected according to the required height.