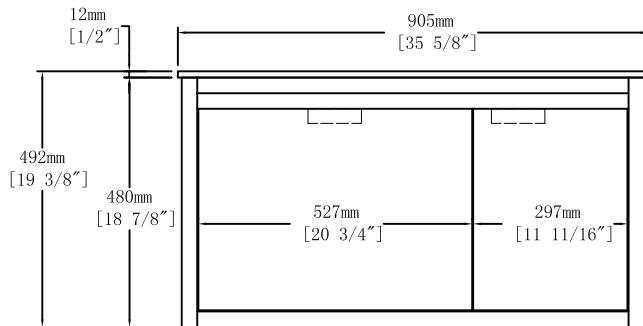
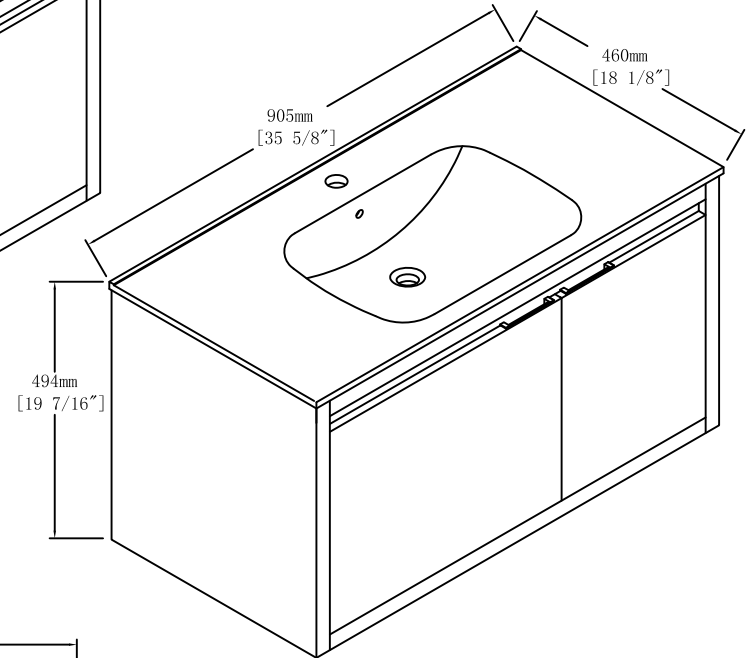
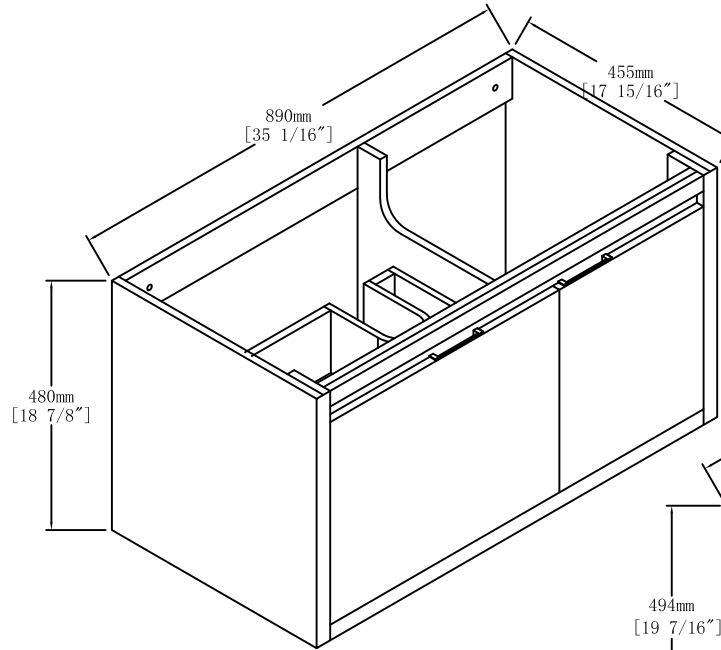
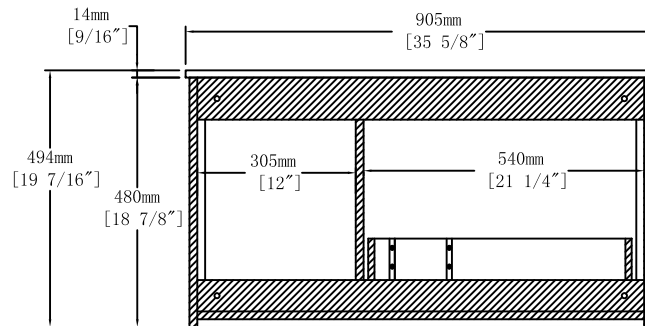


Top View



Front View



Front View



Item NO.

BV C04636

Version

V1

Project

Date

2022-12-3