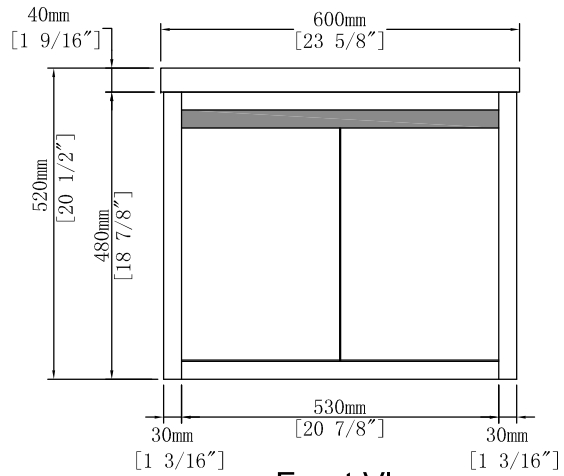
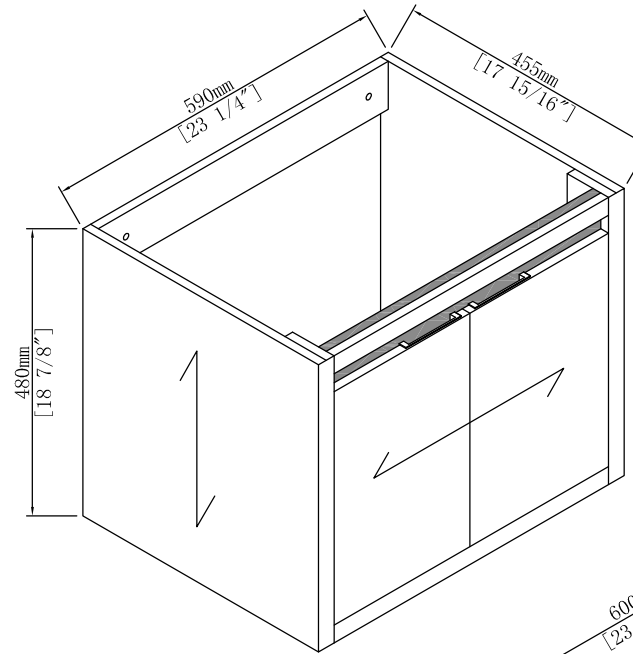
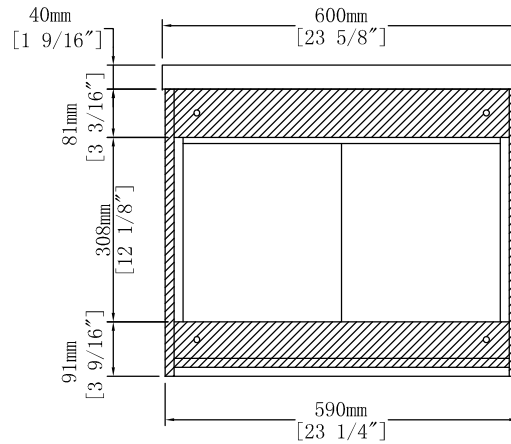


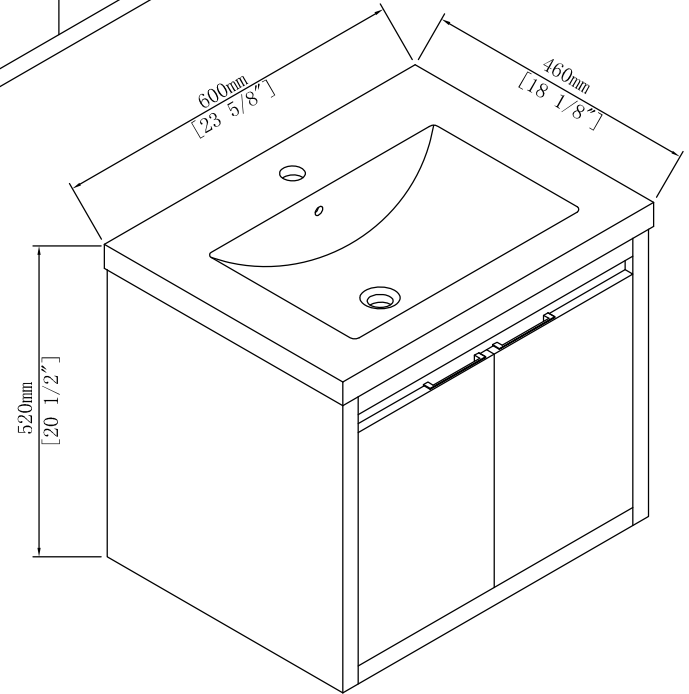
Top View



Front View



Back View



Item NO. **BV C00924**

Version

Project

Date

2022. 3. 18