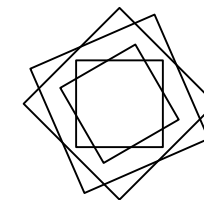
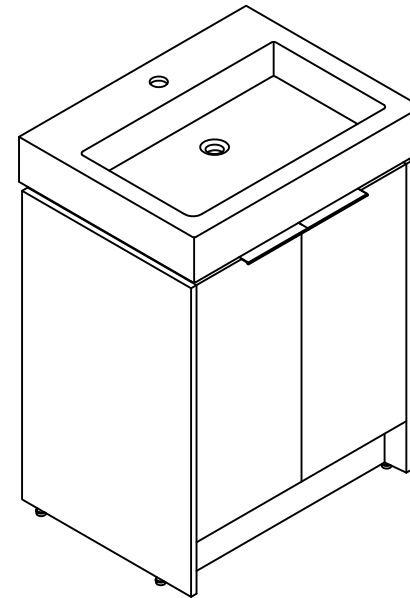


THANKS FOR WATCHING

Your feedback is invaluable to us and we would love to hear about your experience. Please take the time to leave us a review.




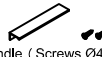






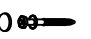






Thank you for shopping with us!

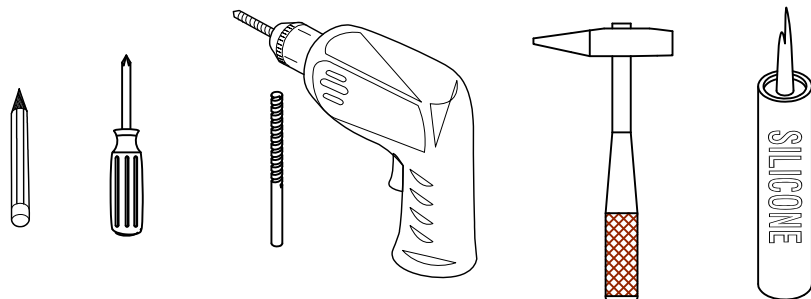
We encourage you to take a few minutes to go through this booklet. It contains important information on installation and care tips to keep your furniture looking as good as new.

Item NO.:BV C03824

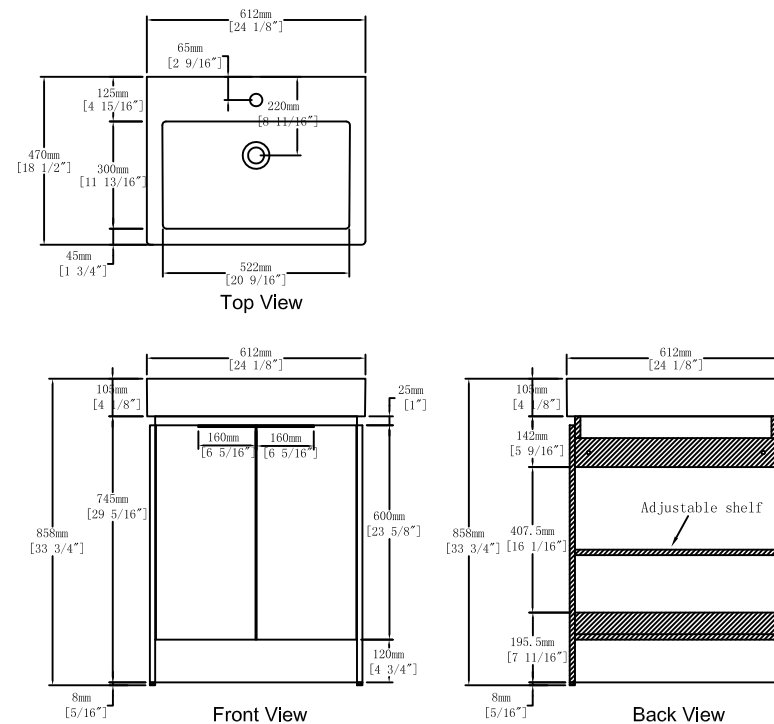
Hardware

| NO. | Draw | QTY | NO. | Draw | QTY |
|-----|---|-----|-----|---|-----|
| A |  Screws Ø4x14mm | 44 | I |  Hinges | 4 |
| B |  Two-in-one connector | 22 | J |  Handle (Screws Ø4x14mm) | 2 |
| C |  Two-in-one connector | 22 | K |  Screws Ø4x25mm | 6 |
| D |  Wood plug | 6 | L |  Anti-collision gasket | 4 |
| E |  Plastic anchor(Ø10mm) | 2 | M |  Movable laminate support | 4 |
| F |  Screws for fix on the wall | 2 | N |  Adjustable feet | 4 |
| G |  Bracket (53x70x44mm) | 2 | O |  Screwdriver | 1 |
| H |  Bracket (19x19x35mm) | 2 | | | |

Recommended tools



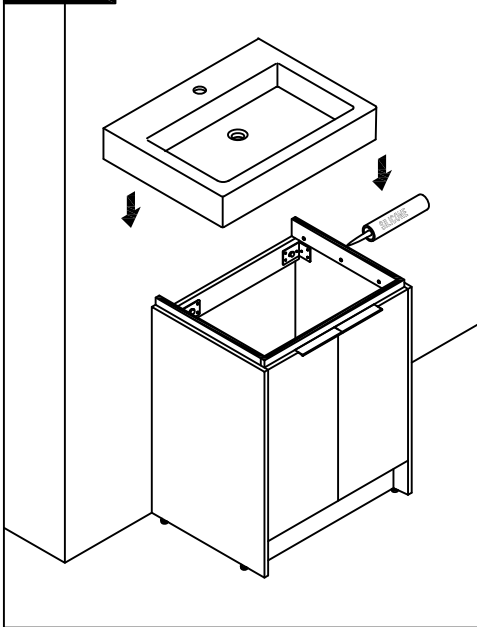
Dimensions



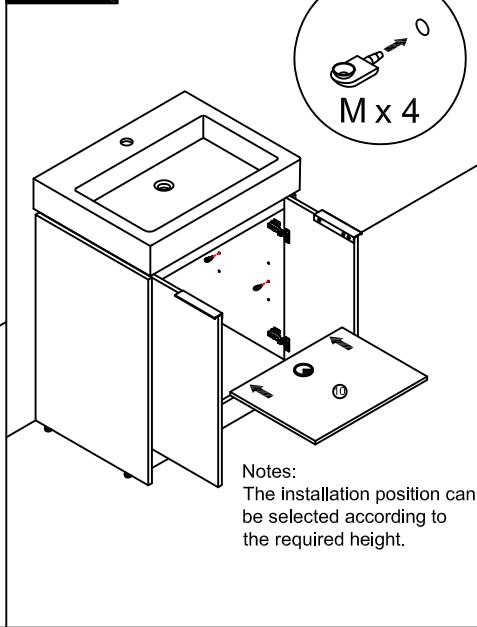
CARE CLEANING AND MAINTENANCE

1. Dust regularly with a soft , dry cloth.
2. Avoid the use of all chemicals household cleaners, abrasives, or cleaners that contain lemon, vinegar, or other acids that may damage the finish.
3. Excessive exposure to sunlight and extreme changes in temperature and moisture can damage wood furniture.
4. The sink top is resilient, but care needs to be taken to preserve its appearance.
5. Do not place hot appliances, such as curling irons and hot hair dryers directly on the countertop. Wipe spills immediately.

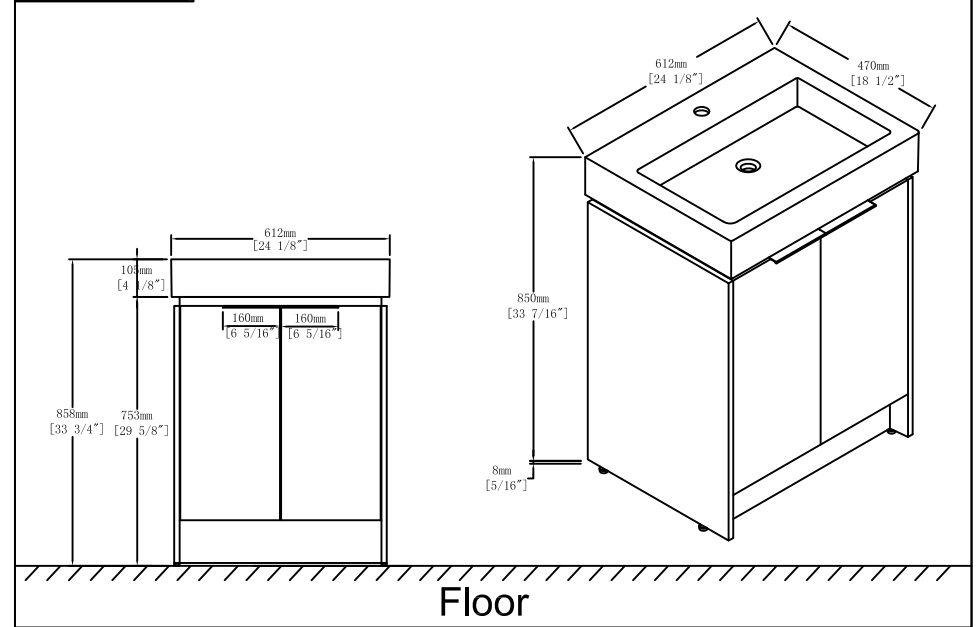
Step 13



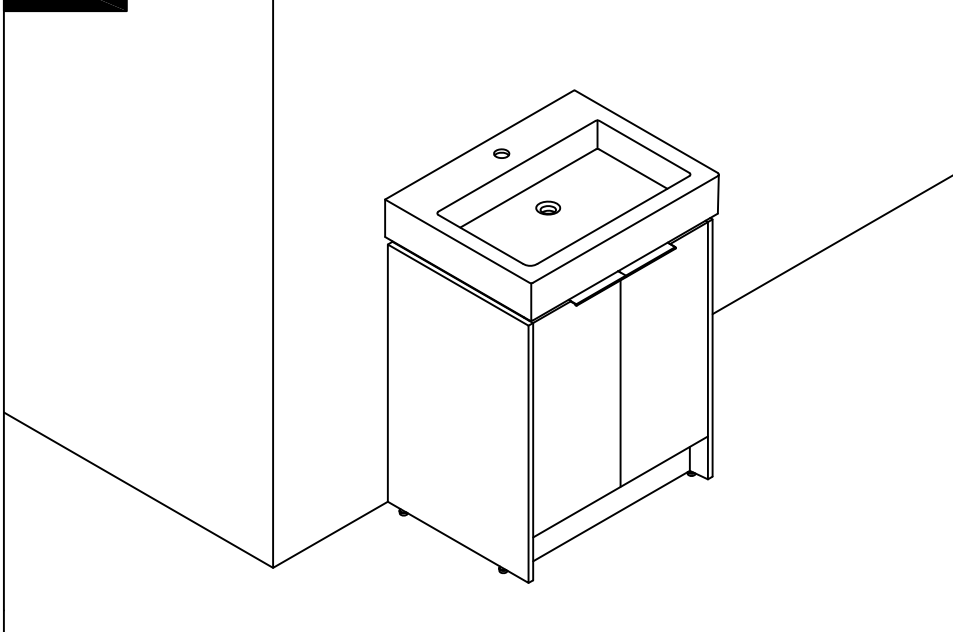
Step 14



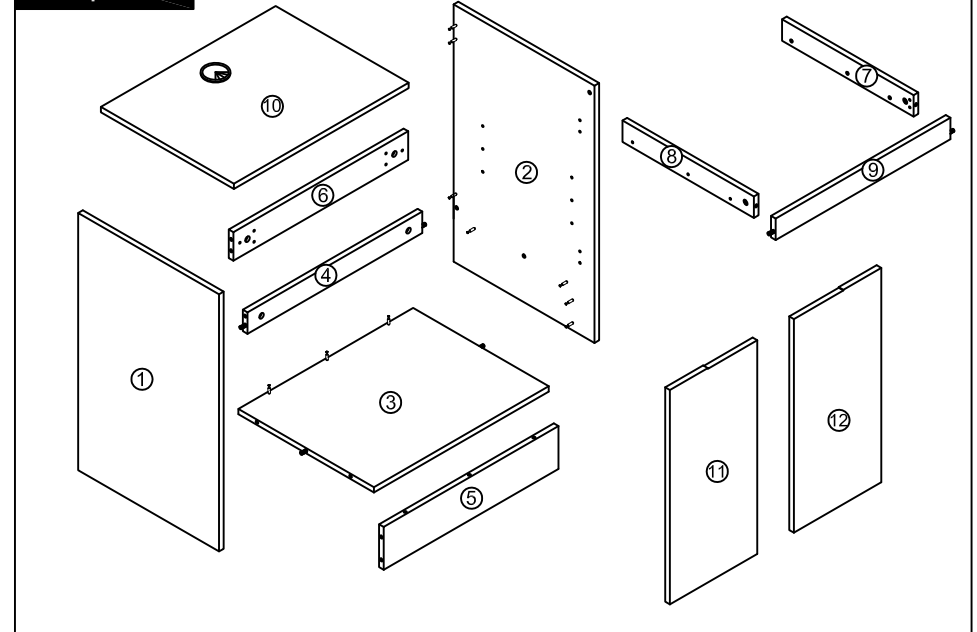
Dimensions



Finished



Components



Step 1

Attention: The lock handle arrow points to the side face.

Notes: Screw installation depth as shown

- B x6
- C x6
- O x1

Step 2

first step second step third step

- B x2
- C x2
- O x1

Step 11

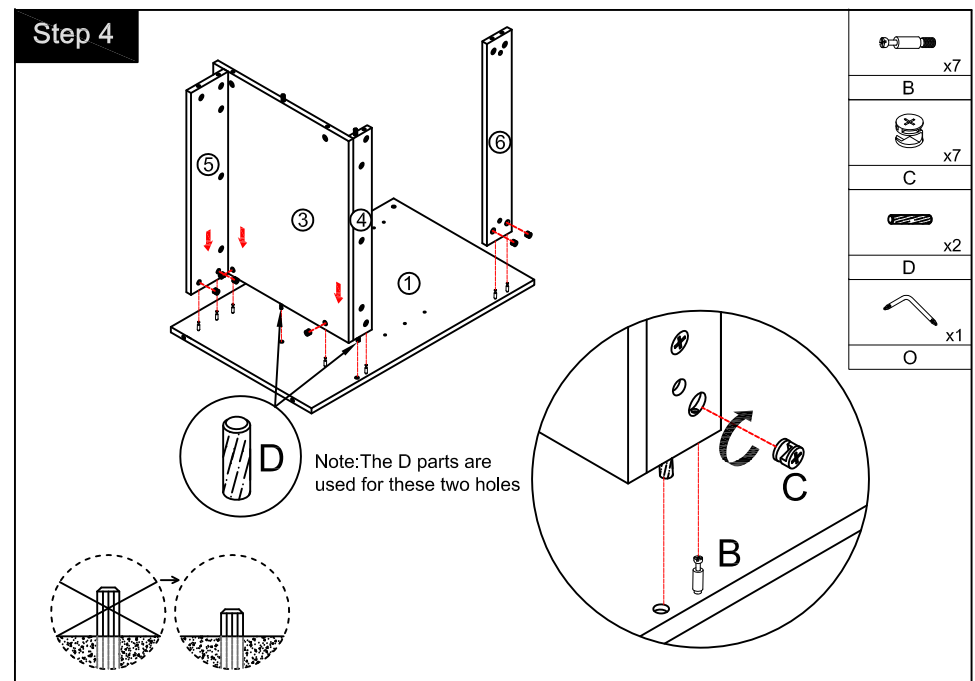
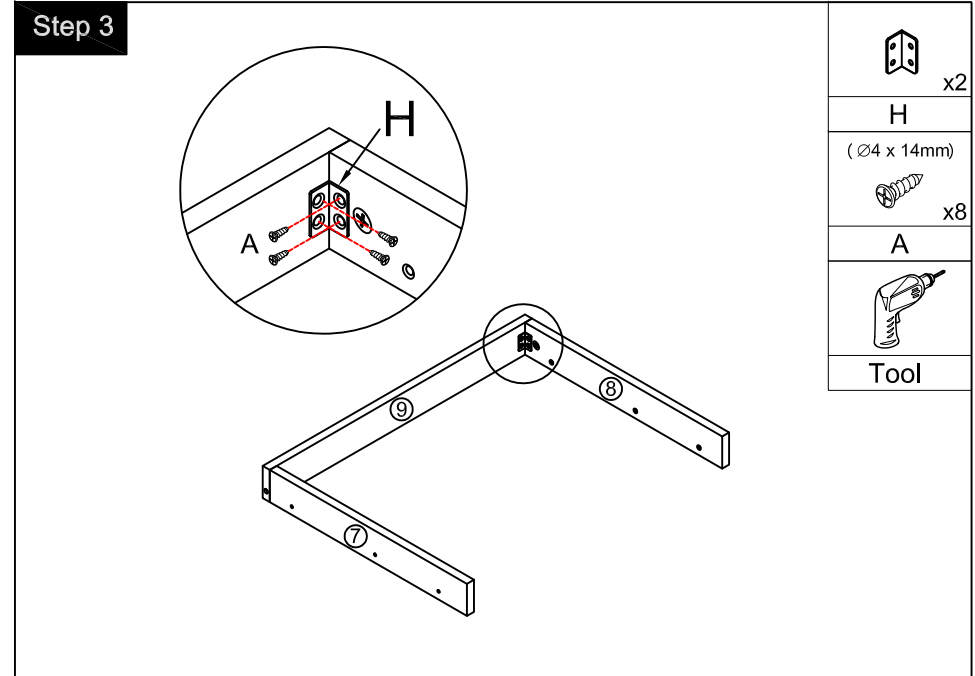
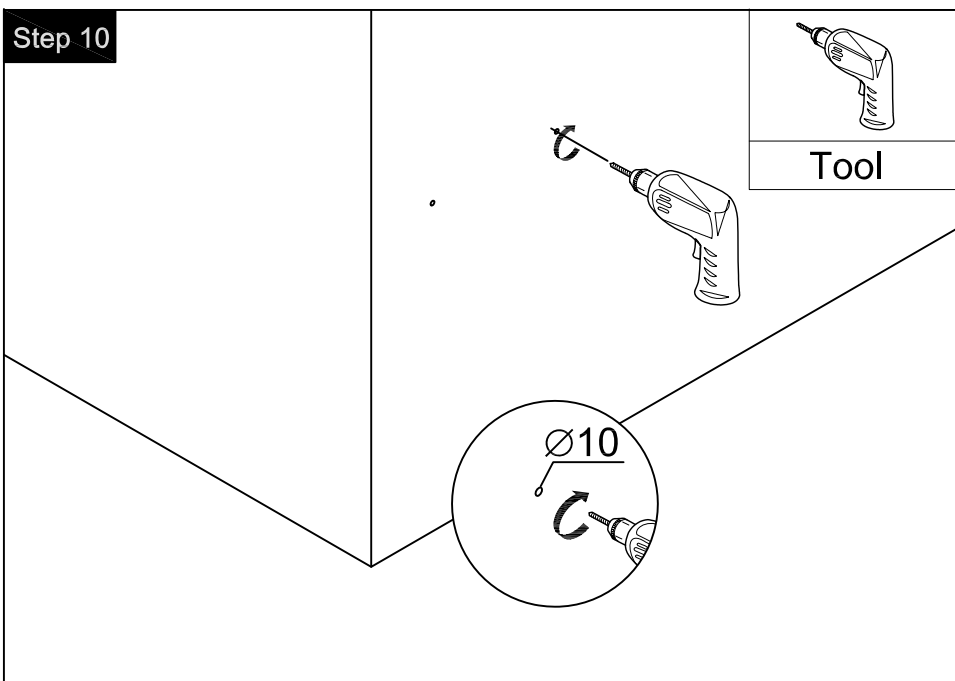
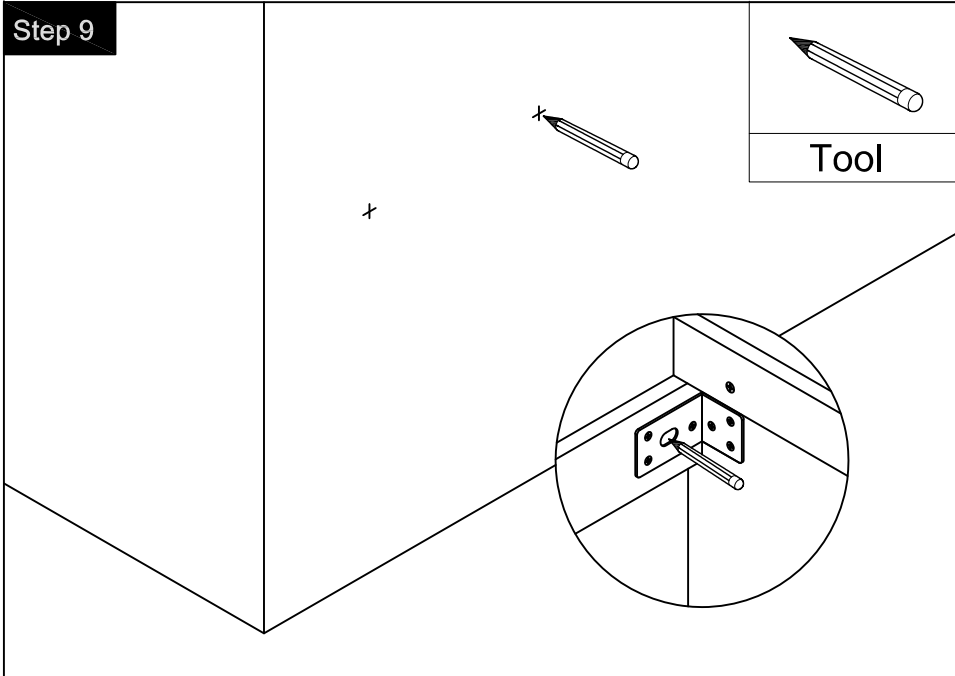
E x2

Tool

Step 12

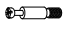


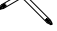
F x2

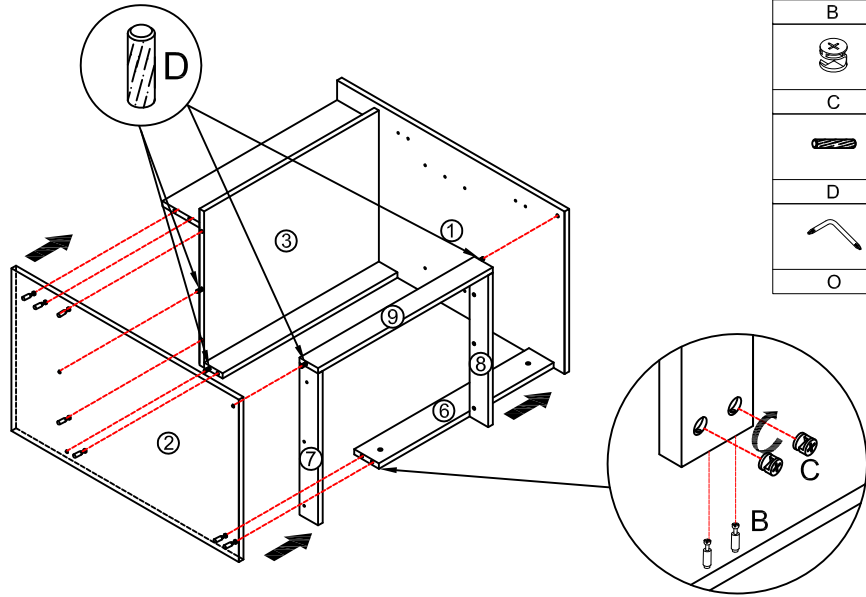
Tool



Step 5



Note: The D parts are used for these four holes

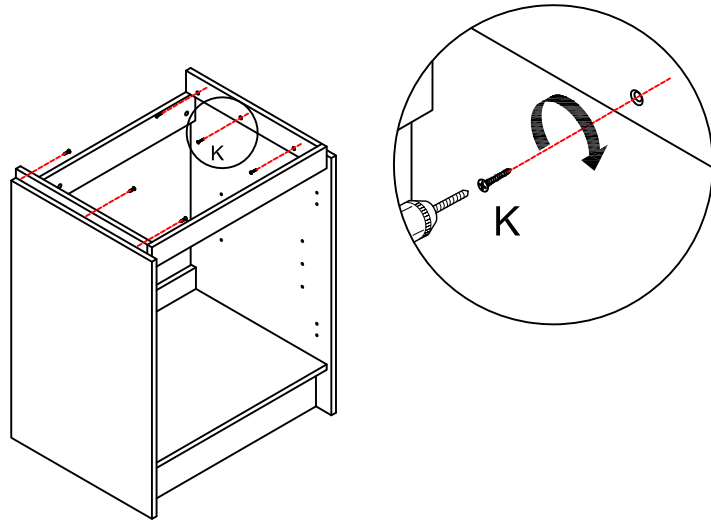
-  x7
- B**
-  x7
- C**
-  x4
- D**
-  x1
- O**



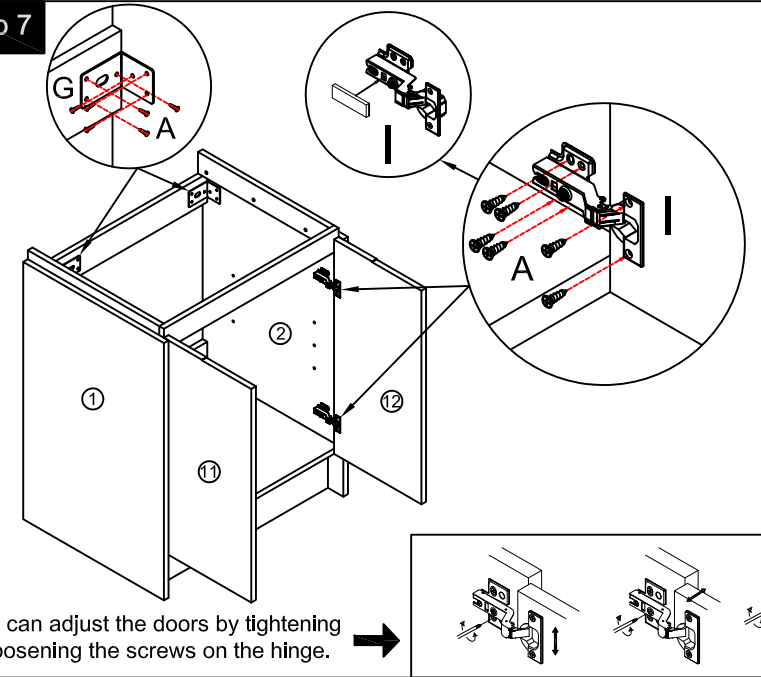
Step 6



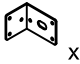

(\varnothing 4 x 25mm)

-  x6
- K**
- 
- Tool**

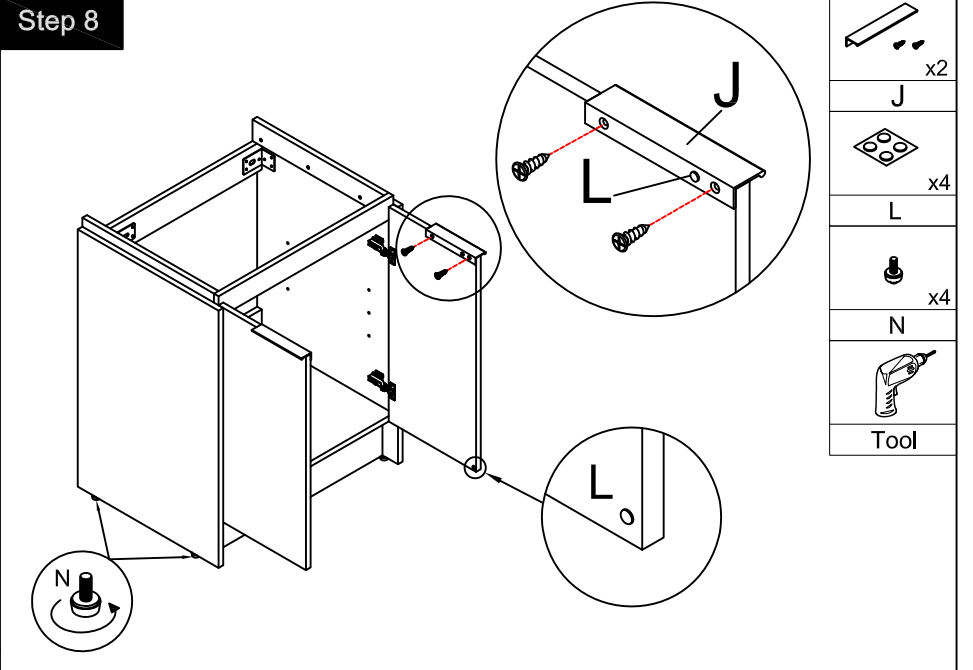






Step 7



-  x4
- I**
- (\varnothing 4 x 14mm)
-  x36
- A**
-  x2
- G**
- 
- Tool**

Step 8



-  x2
- J**
-  x4
- L**
-  x4
- N**
- 
- Tool**