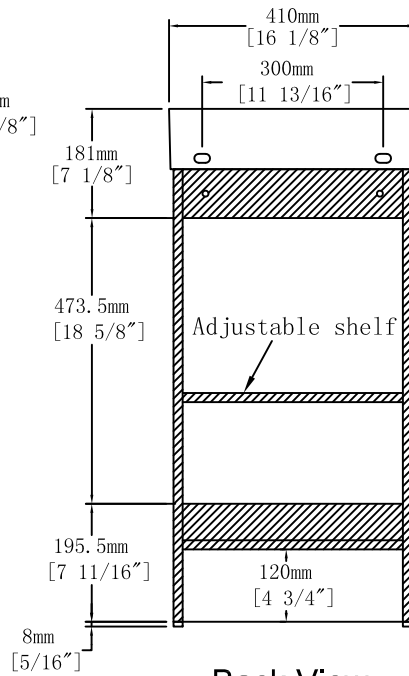
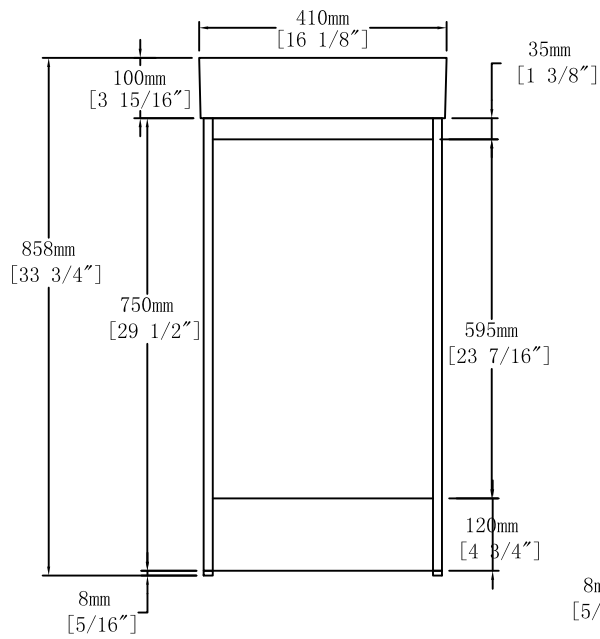
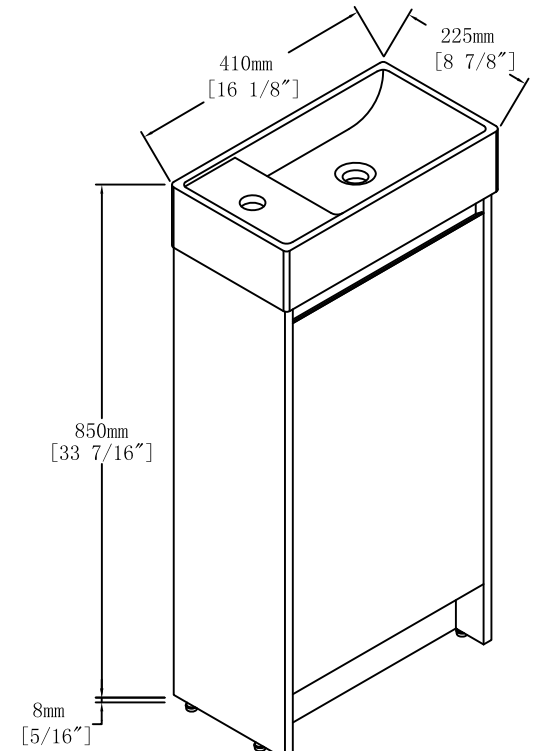
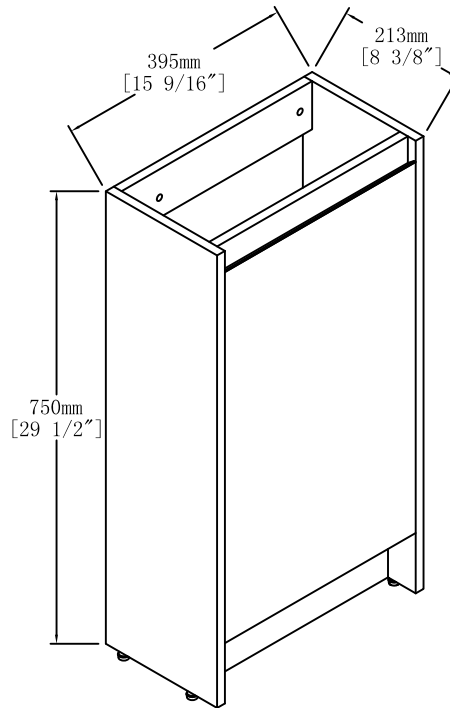


Top View



Back View



Item NO.

BV C03418

Version

V1

Projece

Date

2022-10-29