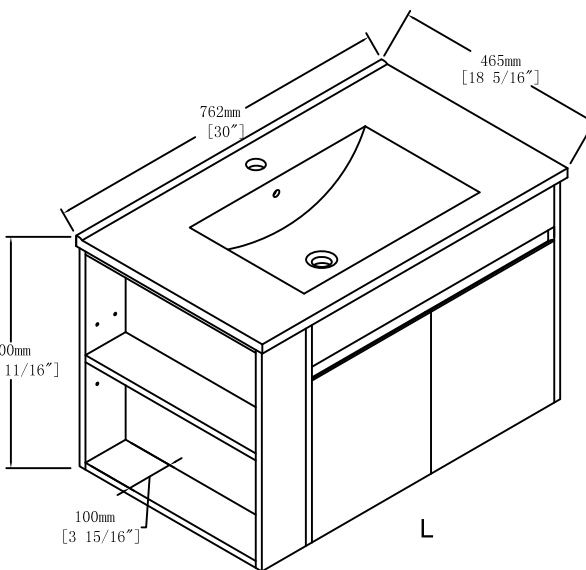
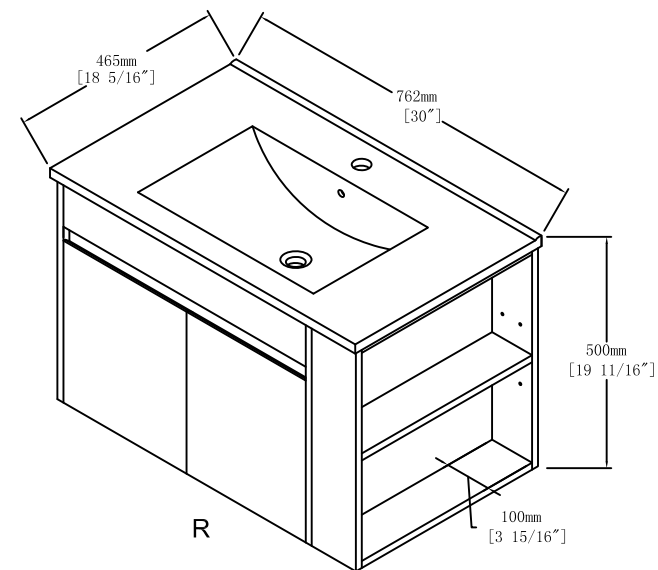


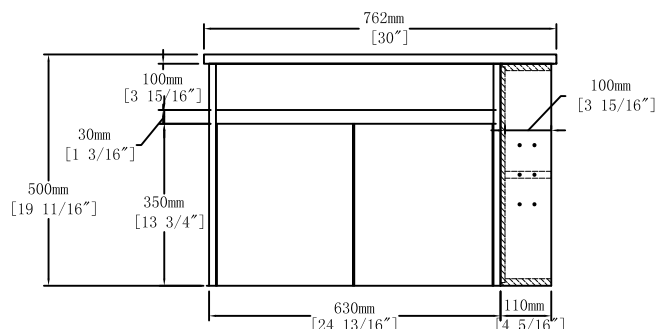
Top View



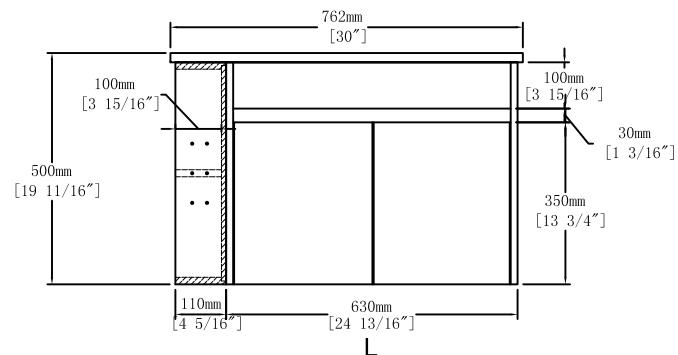
L



R

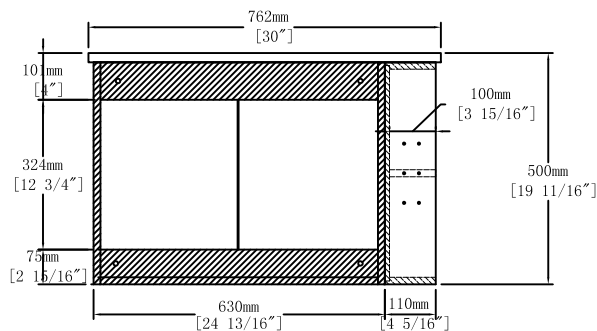


R

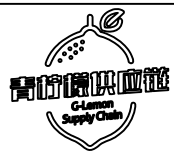


L

Front View



Back View



Item NO.

BV B02730

Version

V1

Projece

Date

2022-9-30