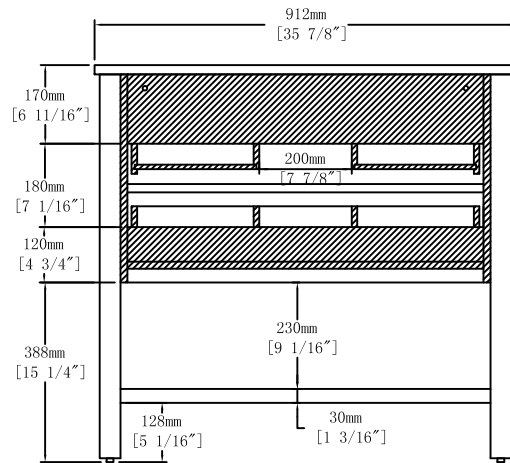
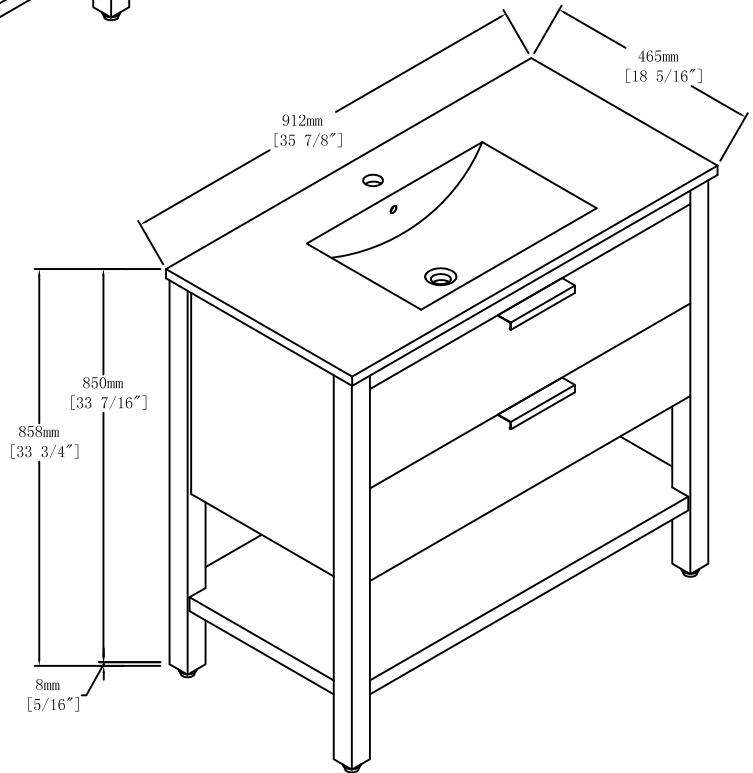


Front View



Back View



Item NO.

BV B01036

Version

V1

Projece

Date

2022-6-17