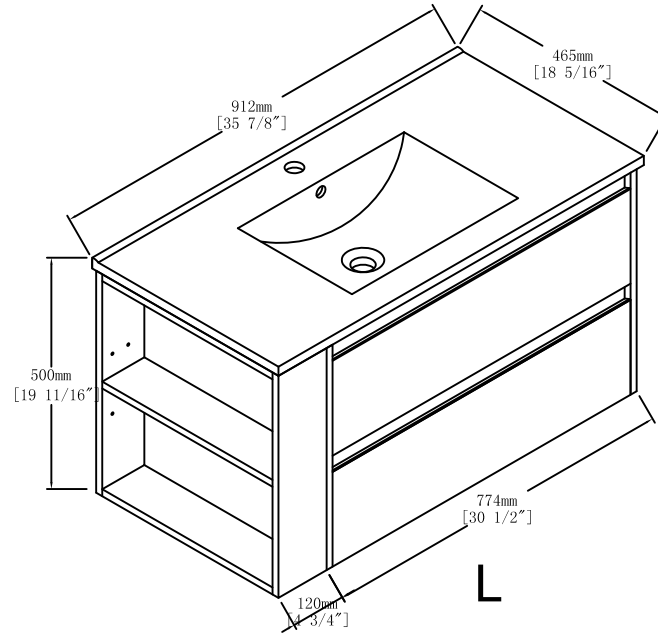
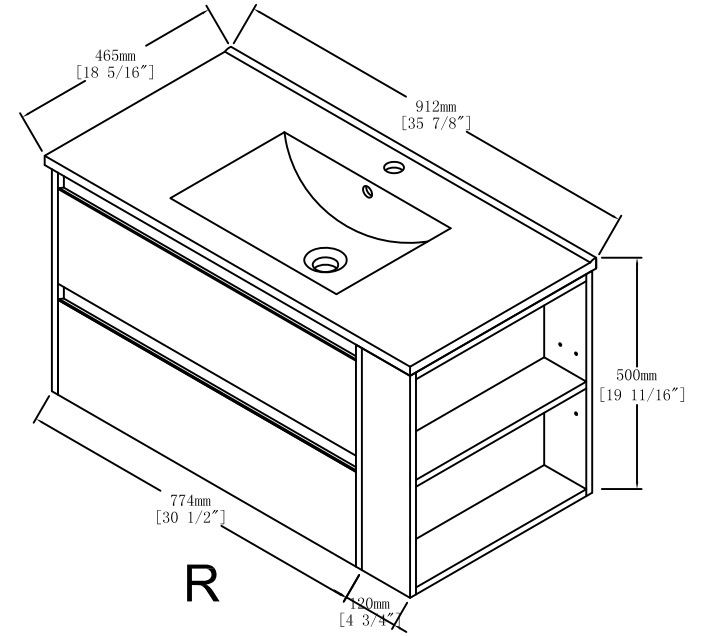


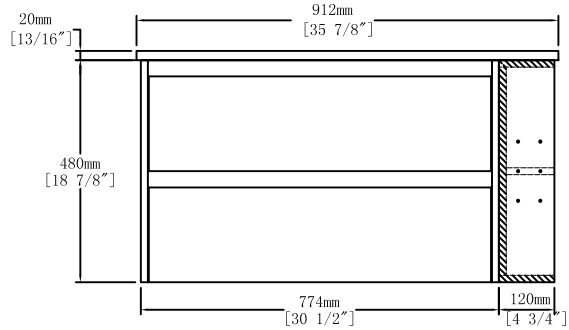
Top View



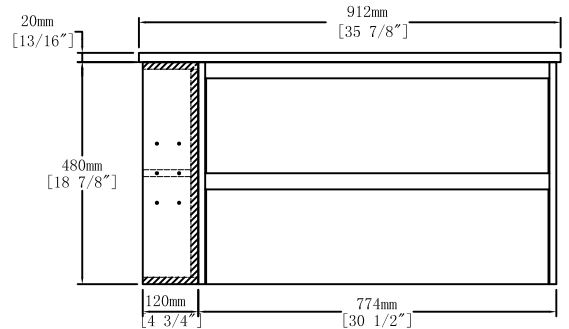
L



R

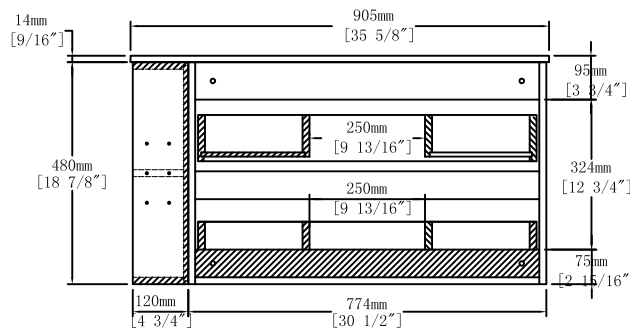


R

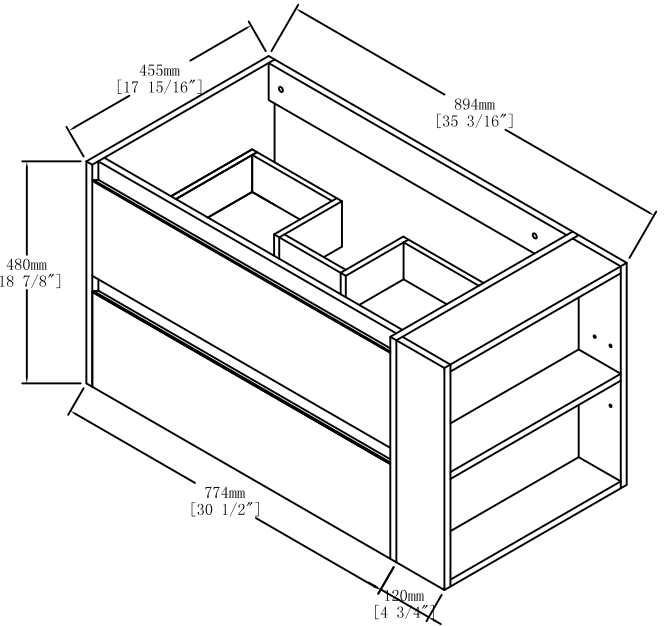


L

Front View



Back View



Item NO.

BV B05536-1

Version

V1

Projece-1

Date

2024-3-19