

---

**Model: YJ201**

**Instruction Manual**

Attention:

This appliance is not intended for use by persons (including Children) with reduced physical, sensory or mental capabilities or lack of experience and knowledge unless they have been given supervision or instruction concerning use of the appliance by a person responsible for their safety. Children should be supervised to ensure that they do not play with the appliance.



## TROUBLE SHOOTING:

---

### PLEASE CHECK THE FOLLOWING BEFORE LODGING A SERVICE REPORT

PROBLEM	REASON	SOLUTION
Fan not moving	1) Main cables not connected. 2) Check the line wires.	1) Check mains & sub circuit breakers or fuse. 2) Check the line wires connections to the fan & switch housing.
Fan noisy	1) Housing screw loose. 2) Wire nut connections rattles against each other. 3) Canopy touches the ceiling.	1) Tighten all screws. 2) Separate & store neatly all the wire nut connections. 3) Check & ensure the canopy is not touching or too close to the ceiling.

## CONTENTS:

---

1.Safety Precaution .....	Page 2
2.Fan structure drawing.....	Page 3
3.Installtion of lampstand.....	Page 4
4.Installtion of pillar .....	Page4
5.Installtion of table.....	Page5
6.Installtion of pillar.....	Page 5
7.Installtion of motor.....	Page 6
8.Installtion of lightkit.....	Page6
9.Maintenance tips.....	Page7
10Trouble shooting.....	Page8

## SAFETY PRECAUTION:

### IMPORTANT: PLEASE READ BEFORE INSTALLATION

1. The installation work must be carried out by a qualified wiring installer.
2. Turn off the Electrical Main Switch at the circuit breaker fuse box.
3. Using power supply 120V~ / 60Hz.
4. **WARNING: To Reduce The Risk Of Fire, Electric Shock, Or Personal Injury, Mount To Outlet Box Marked "Acceptable for Fan Support of 15.9 kg (35 lbs) or less" And Use Mounting Screws Provided With The Outlet Box. Most Outlet Boxes Commonly Used For The Support of Luminaires Are Not Acceptable For Fan Support And May Need To Be Replaced. Consult A Qualified Electrician If In Doubt.**
5. **CAUTION: To Reduce The Risk Of Injury To Persons, Install Fan So That The Blade Is At Least 3.05 Meters (10 Feet) Above The Floor.**
6. Do not operate the reverse switch when the fan is still in motion mode. Wait till it stop completely before switching to reverse mode.
7. Do not insert any objects in the path of the blades.
8. When all electrical connection are done, store all wires neatly.
9. Make sure all screws and connections are tightly screwed and secured.
10. The supply wires live and neutral must be connected to a double pole switch having a contact of at least 3mm in all poles.
11. **WARNING: To Reduce The Risk Of Personal Injury, Do Not Bend The Blade Brackets When Installing The Brackets, Balancing The Blades, Or Cleaning The Fan. Do Not Insert Foreign Objects In Between Rotating Fan Blades.**
12. **WARNING - To Reduce The Risk Of Electric Shock, This Fan Must Be Installed With An Isolating Wall Control/Switch.**
13. **CAUTION: To Reduce The Risk Of Electric Shock, Disconnect The Electrical Supply Circuit To The Fan Before Installing Light Kit.**

**ATTENTION:** pour réduire le risque de blessures corporelles, installez le ventilateur de manière à ce que la lame se trouve à au moins 3,05 mètres (10 pieds) au-dessus du sol.

**AVERTISSEMENT:** pour réduire le risque d'incendie, de choc électrique ou de blessure, montez sur la boîte de sortie marquée « Acceptable pour un support de ventilateur de 15,9 kg (35 lb) ou moins » et utilisez les vis de montage fournies avec la boîte de sortie. La plupart des boîtiers de sortie couramment utilisés pour le support des luminaires ne sont pas acceptables pour le support des ventilateurs et peuvent devoir être remplacés. Consultez un électricien qualifié en cas de doute.

### **WARNING**

**TO REDUCE THE RISK OF PERSONAL INJURY, DO NOT BEND THE BLADES BRACKETS DURING ASSEMBLY OR AFTER INSTALLATION.**

**DO NOT INSERT ANY OBJECTS IN THE PATH OF THE BLADES.**

**TO REDUCE THE RISK OF SHOCK, THIS FAN MUST BE INSTALLED WITH AN ISOLATION WALL CONTROL / SWITCH.**

## MAINTENANCE TIPS:

1. Because of the fan's natural movement, some connections may be loose. To check the support connections, brackets and blades attachment 2 times a year. Make sure they are all secured (It is not necessary to dismantle the entire fan from ceiling).
2. Clean your fan periodically to help maintain its appearance over the years. Do not use water when cleaning, use only a soft brush or lint-free cloth to avoid scratching the finish. The plating is coated with a lacquer to minimize the ratio of discoloration or tarnishing which would damage the motor or the wood or possibly cause an electric shock.
3. You can apply a light coat of furniture varnishing to the wood for additional protection and enhance its beauty. Surface scratched mark can be touch-up with a light coat of shoe polish.
4. There is no need to oil your fan. The motor is created with lubricated sealed ball bearings.
5. User are advised to contact the fan supplier to conduct regular examination of the fan suspension system at least once in every two years.

### **WARNING**

**MAKE SURE THE POWER IS SWITCH OFF AT THE ELECTRICAL PANEL BOX BEFORE YOU ATTEMPT TO ANY REPAIRS (REFER TO THIS SECTION), MAKING ELECTRICAL CONNECTIONS.**

**ASSUREZ-VOUS QUE L'ALIMENTATION EST COUPÉE AU NIVEAU DU BOÎTIER ÉLECTRIQUE AVANT DE TENTER DES RÉPARATIONS (VOIR CETTE SECTION), EN FAISANT DES CONNEXIONS ÉLECTRIQUES.**



## INSTALLATION OF MOTOR:

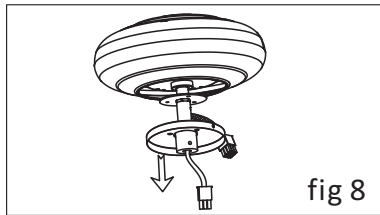


fig 8

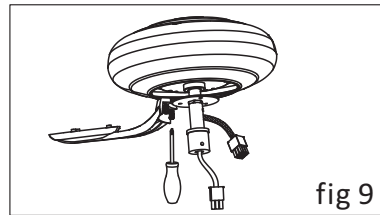


fig 9

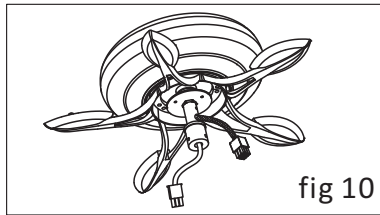


fig 10

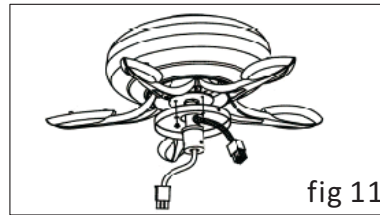


fig 11

1) Take out the Separation Cover from the motor, fasten the Blade bracket by screws. Then fasten the Separation cover and round piece.

## INSTALLATION OF LIGHTKIT:

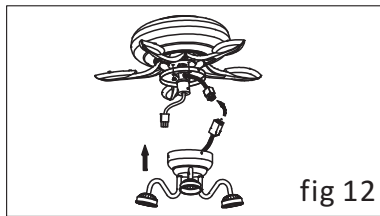


fig 12

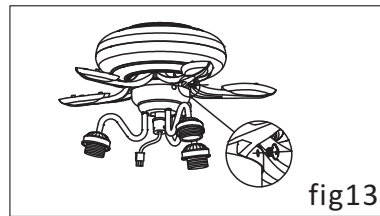


fig 13

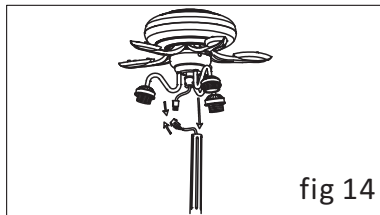


fig 14

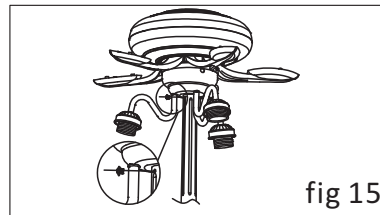


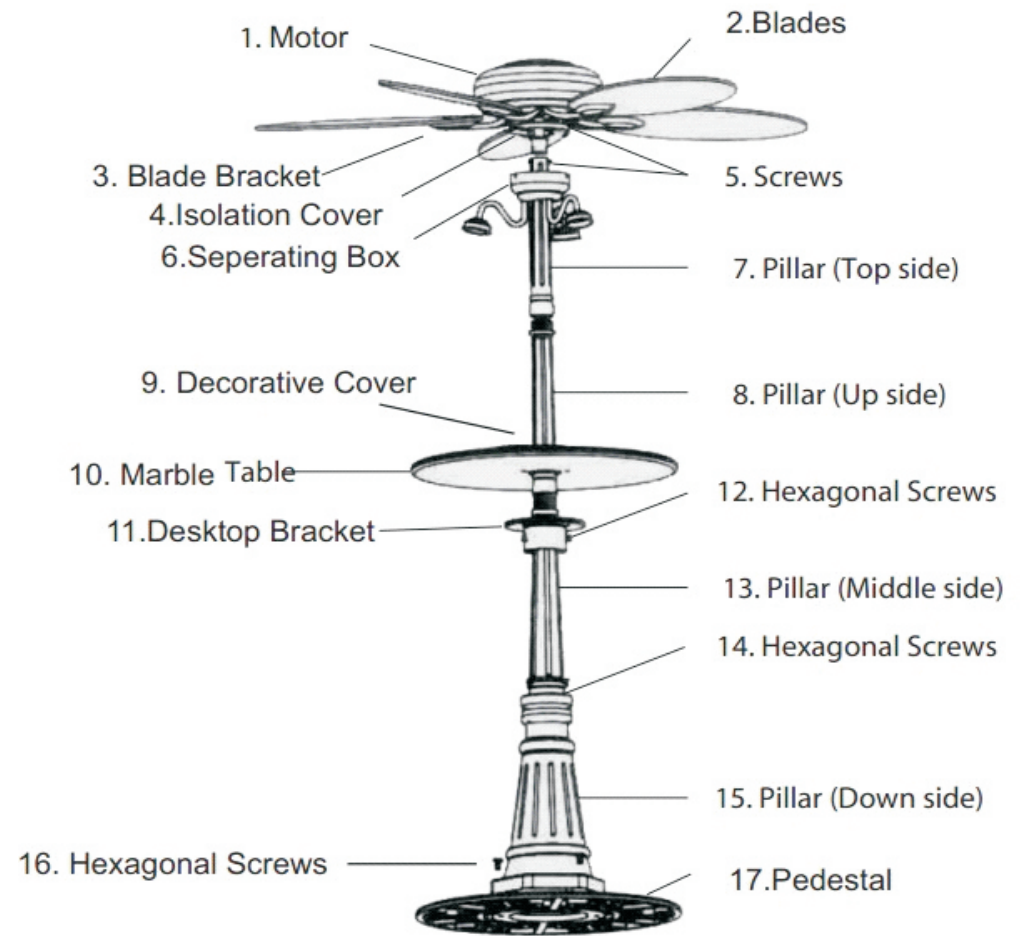
fig 15

1) Connect the 3pin female set to the motor 3pin male set. Fasten the screws well.

2) Connect the lightkit to the Separation cover, fasten the screws.

3) Install the blade by the screws.

## FAN STRUCTURE DRAWING:

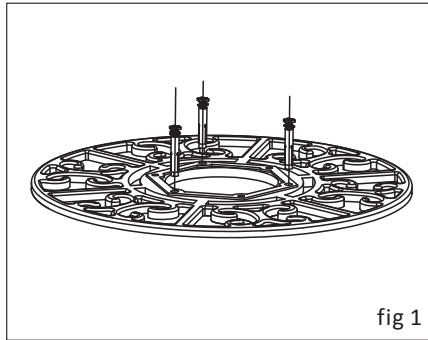


1. Motor Assembly  
2. Fan Blade(5pcs)  
3. Blade Bracket(5pcs)  
4. Wire Cover  
5. Screws  
6. Wire Cover (box)  
7. Top Pole

8. MED Pole 1  
9. Decorative Cover  
10. Marble Table  
11. Table Bracket  
12. Hex Nut  
(Table connecting screw)

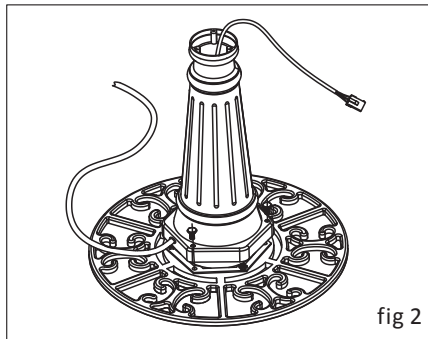
13. MED Pole 2  
14. Hex Nut  
(Pole connecting screw)  
15. Bottom Pole  
16. Hex Nut  
(Base connecting screw)  
17. Base

## INSTALLATION OF LAMPSTAND:

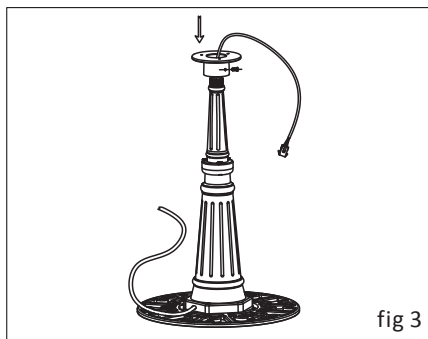


- 1) Take out the Lampstand ,aim at the three hole as the pic,use the three Expansion Screw to install , then makesure the screws firmly .

## INSTALLATION OF PILLAR:

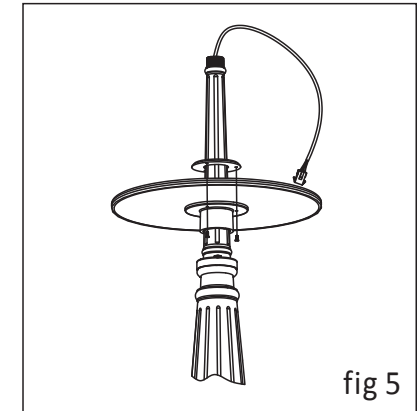
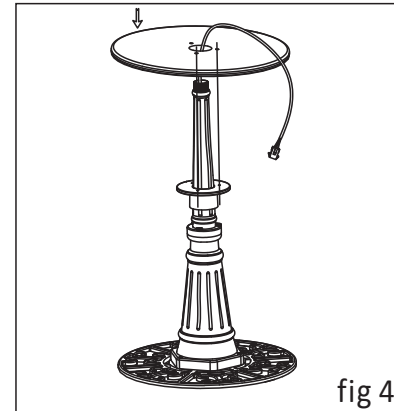


- 2)Make sure the Pillar(Middle) holeaim at the Pillar(Upper) hole .  
Fasten the Hexagonal screw.



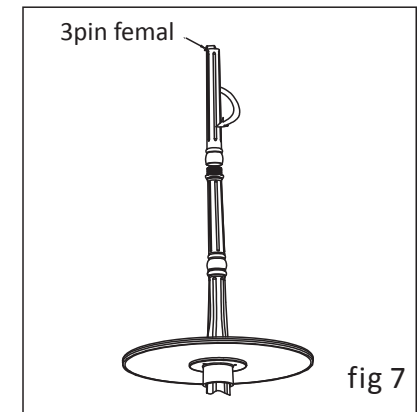
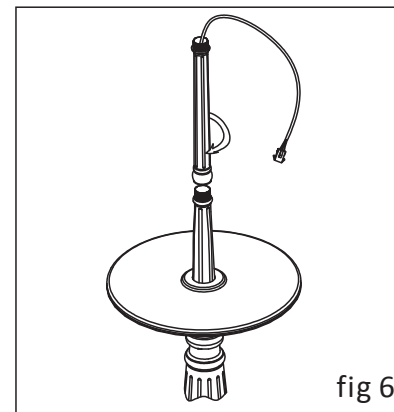
- 3) Put the Table Bracket down to thePillar (Middle) until it tighten, and then fasten the screws.

## INSTALLATION OF TABLE:



- 1) Put the table down to the Pillar(Middle) until it stick the Table Bracket. Put the DecorativeCover down,then fasten all the screws.

## INSTALLATION OF PILLAR:



- 2). Revolve the Pillar(Up) and Pillar(Top) until it fasten.  
Put the 3pin femal set onto the Pillar.