

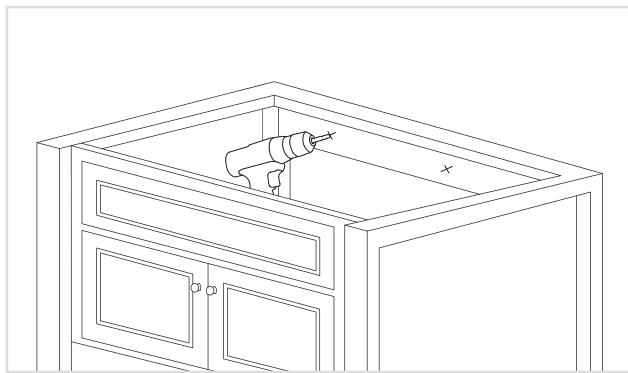
# INSTALLATION GUIDE

## INCLUDED

- Base cabinet
- Countertop
- Hardware
- Sink basin
- Backsplash

## NEEDED

- Permanent marker
- Silicone - (Recommend Liquid Nails #LN-933 or Loctite #PL530 or GE Silicone II #M90010)
- Epoxy - (Recommend Loctite #1365868 or Gorilla Glue #4200101)
- Caulking gun
- Power Drill • Drywall Screws



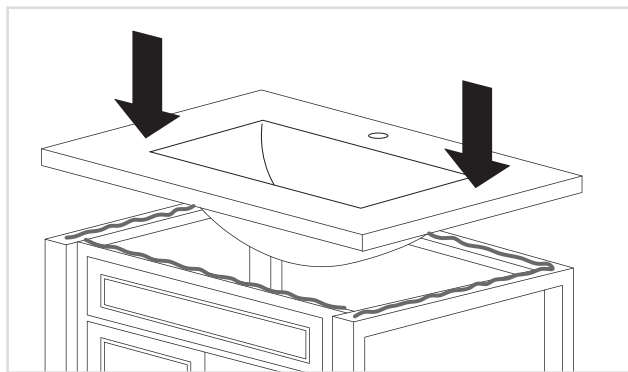
### STEP 1 - ATTACH BASE CABINET TO WALL

Place cabinet in desired location and determine where the wall studs are. Using drywall screws, attach the cabinet to the wall by screwing into the wall studs.



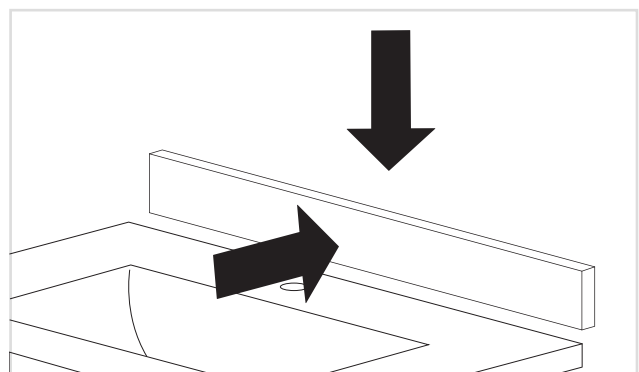
### STEP 2 - PREPARE BASE CABINET

Using a caulking gun, apply silicone around the top of the base cabinet.



### STEP 3 - SET COUNTERTOP IN PLACE

Carefully place the countertop, with the sink attached, onto the cabinet and press down firmly. Wipe away and excess silicone immediately.



### STEP 4 - SET BACKSPLASH

After the vanity is in place, use a caulking gun to apply silicone to the back and bottom unfinished sides of the backsplash. Press firmly down and back to set in place. Remove any excess silicone.