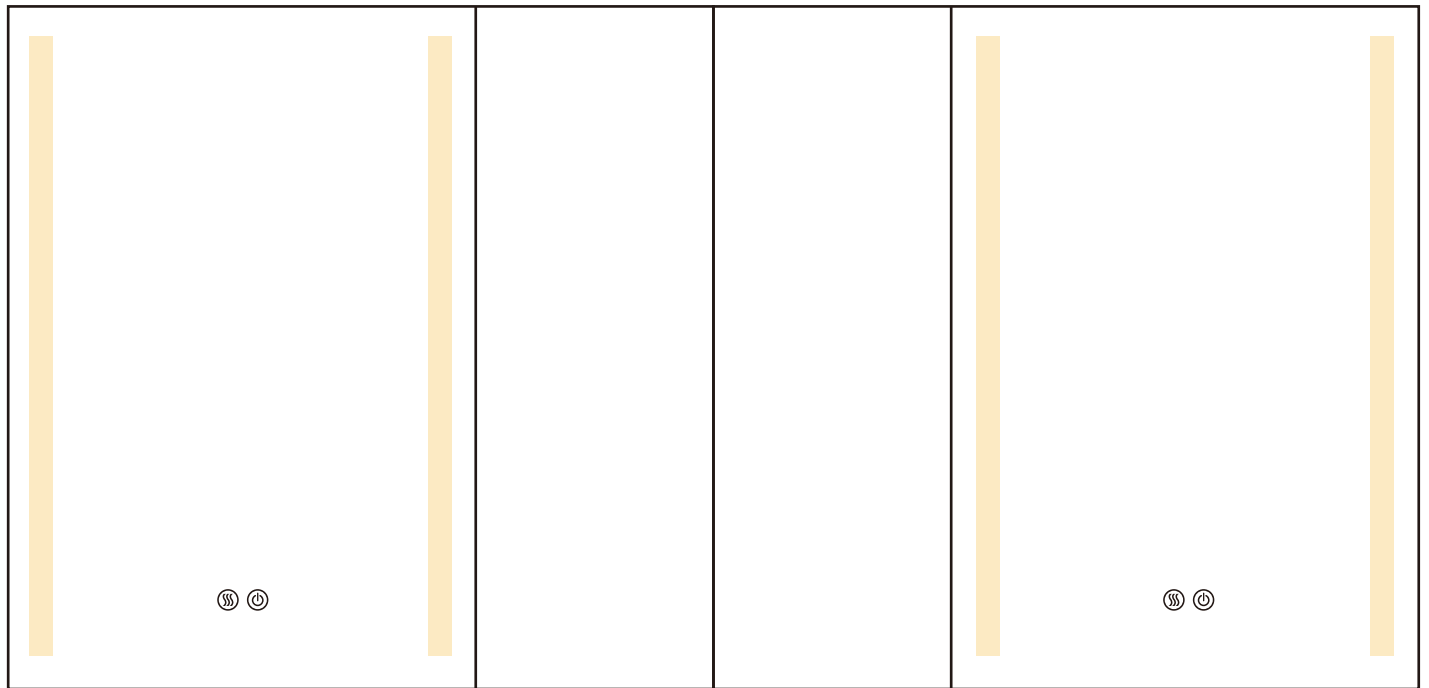


Build For Luxury Life



IMPORTANT SAFETY INSTRUCTIONS

When using an electrical furnishing, basic precautions should always be followed, including the following:

⚠ WARNING: To reduce the risk of burns, fire, electric shock or injury to persons. Use this furnishing only for its intended use as described in these instructions. Do not use attachments not recommended by the manufacturer. Never drop or insert any object into any opening. Do not use outdoors.

⚠ WARNING: Risk of electric shock. Connect this furnishing to a properly grounded circuit only. See grounding instructions.

⚠ CAUTION: Maximum shelf load 34lbs/15.4kg

ELECTRIC CONNECTIONS

ALL WIRING SHOULD BE DONE BY A QUALIFIED LICENCED ELECTRICIAN.

⚠ WARNING: Shut off power before wiring the cabinet.

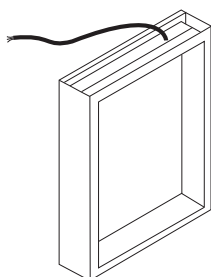
Requires 120 VAC 20 Amp GFI protected Circuit.

GROUNDING INSTRUCTIONS:

⚠ CAUTION: This product must be connected to a grounded metal permanent wiring system or an equipment-grounding conductor must be run with the circuit conductors and connected to the equipment grounding terminal or lead on the product.

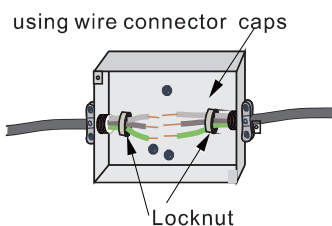
⚠ WARNING: An Electrical option cabinet must be wired to a 20 Amp GFI (Ground Fault Interrupter) protected circuit when used in bathrooms and all other locations required by the National Electric Code.

The electric wire comes through the access hole on the top of the cabinet, exact location of access hole varies depending on the product models. Please refer to the actual product for the exact location.

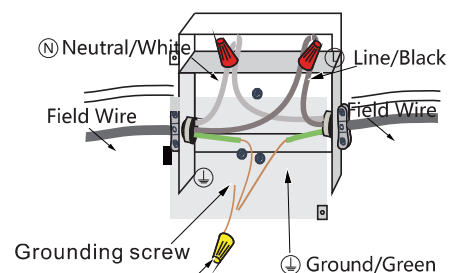


Make connection with Junction box

Neutral to white.
Line to black.
Ground to green.

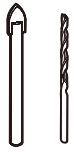


★ junction box is not included ★



wire connector caps
★ (not included) ★

HARDWARE AND TOOLS



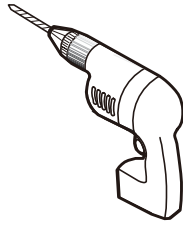
1/4" & 1/8" Drill Bits



Pencil



level



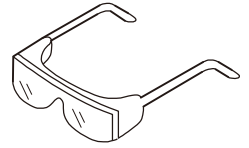
Power Drill



Mallet

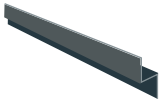


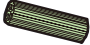


Tape Measure



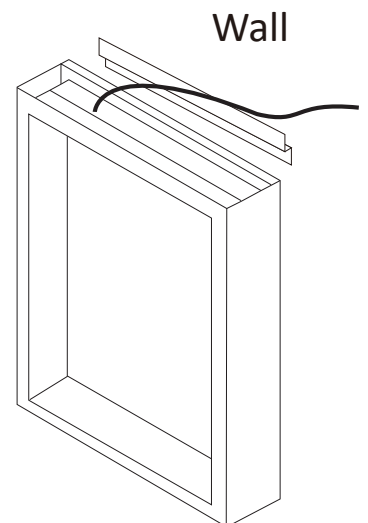
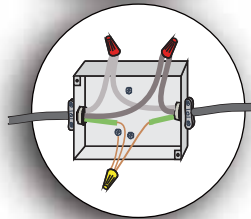
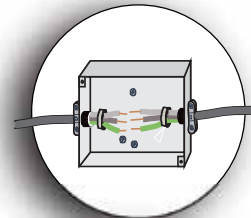
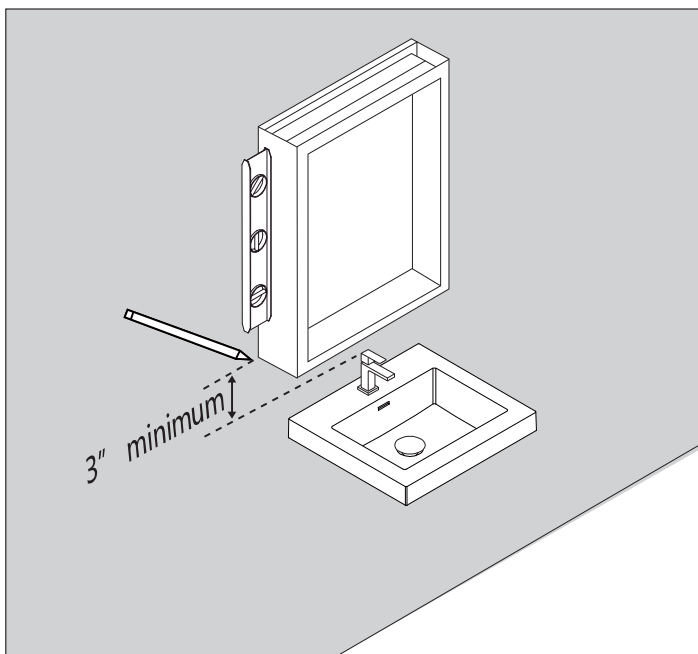
Safety Goggles

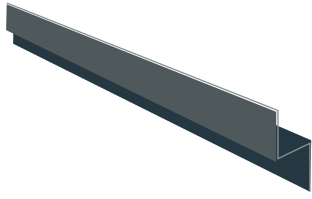
HARDWARE LIST

ITEM	REFERENCE IMAGE	NAME	QTY
1		Top Mounting Bracket	1
2		Glass Shelf	2
3		Screw ST4*35	5
4		Wall Anchor	5

Step 1

Level and mark the cabinet's location on the wall.
Connect the wire to Junction Box inside the wall.

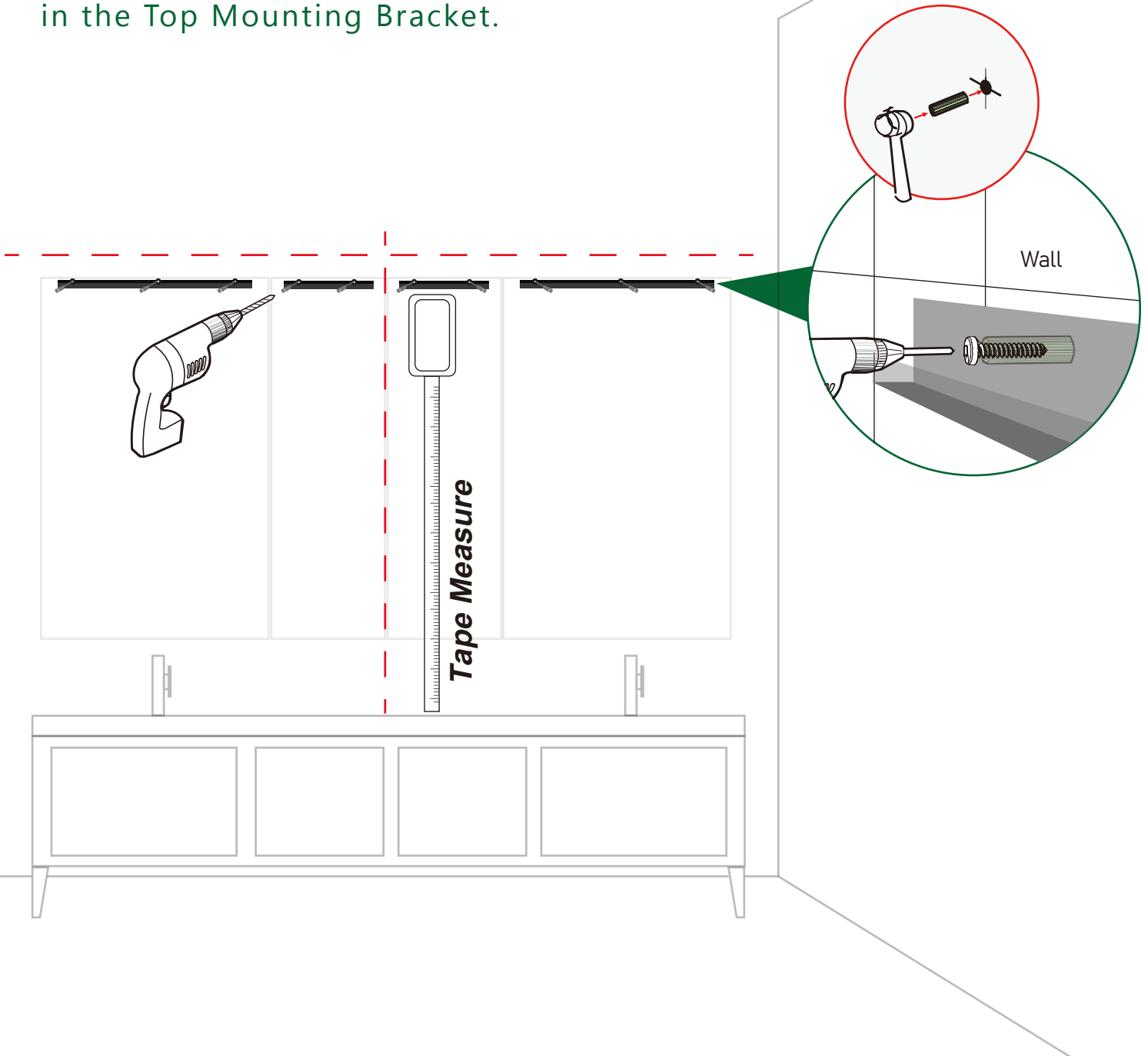




Step 2

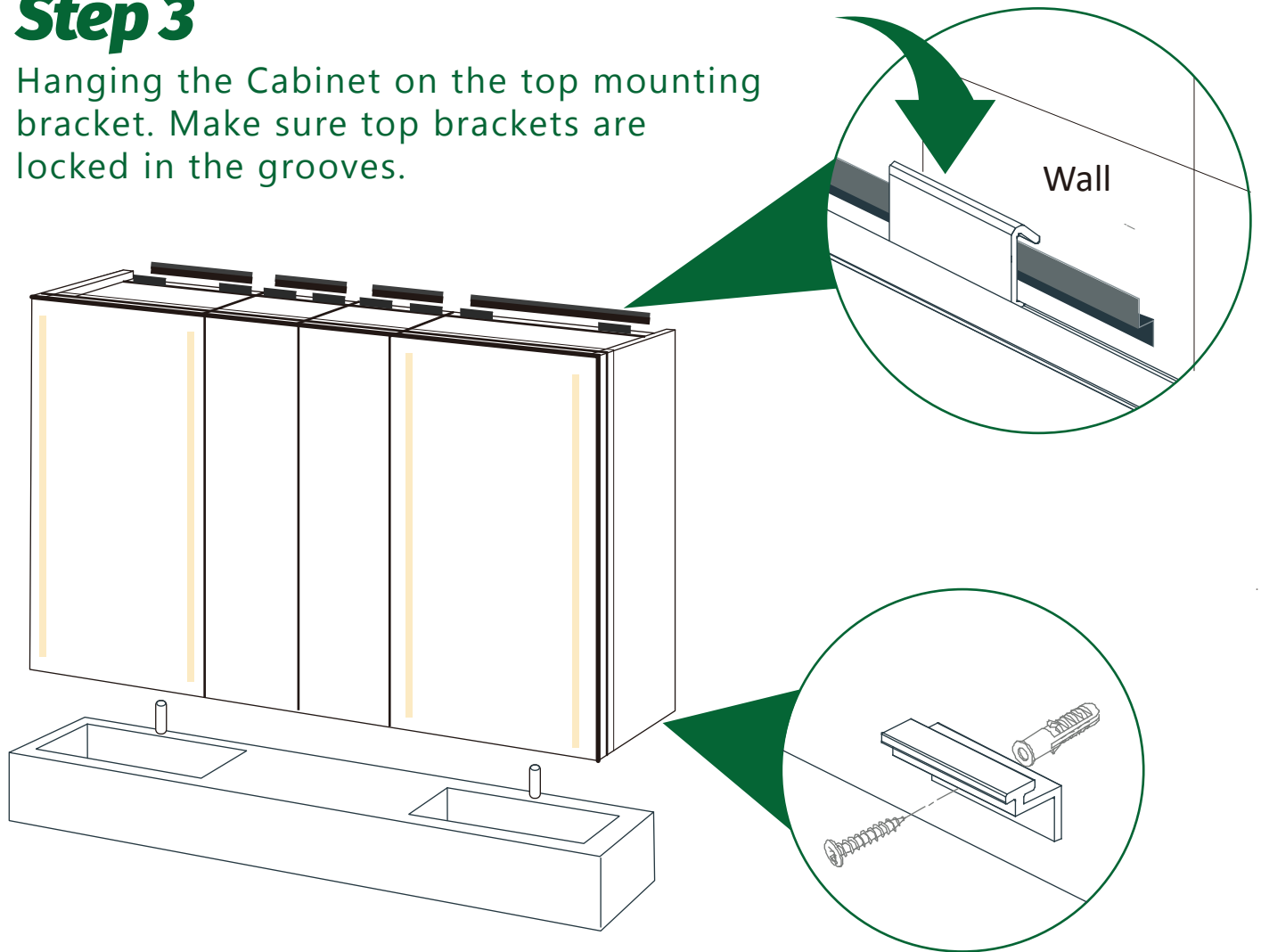
Fix Top Mounting Bracket on the Wall

Measure the distance between the 3 holes in the Top Mounting Bracket.



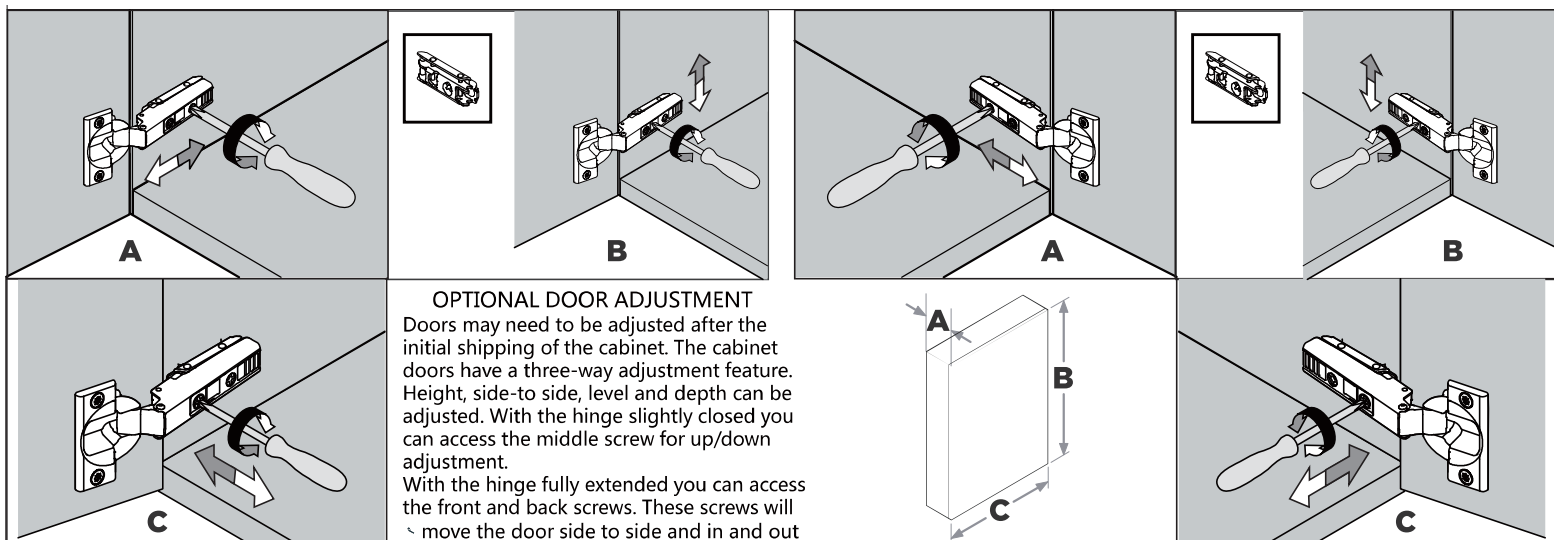
Step 3

Hanging the Cabinet on the top mounting bracket. Make sure top brackets are locked in the grooves.



Step 4 Move the cabinet to the right position and screw in the bottom supporting bracket and fix it.

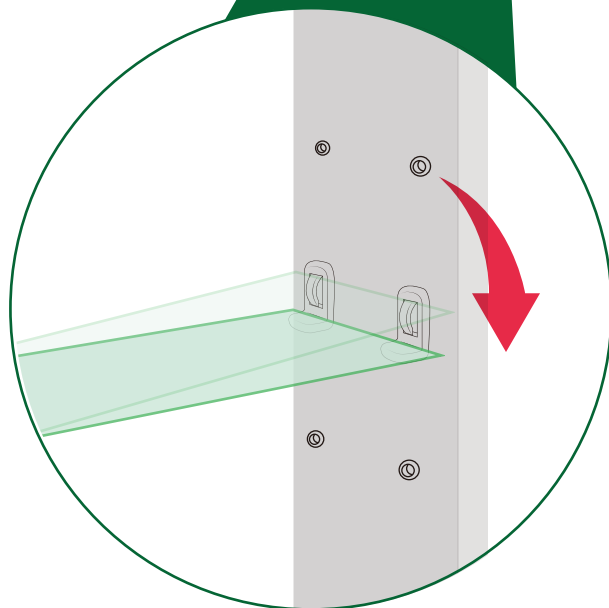
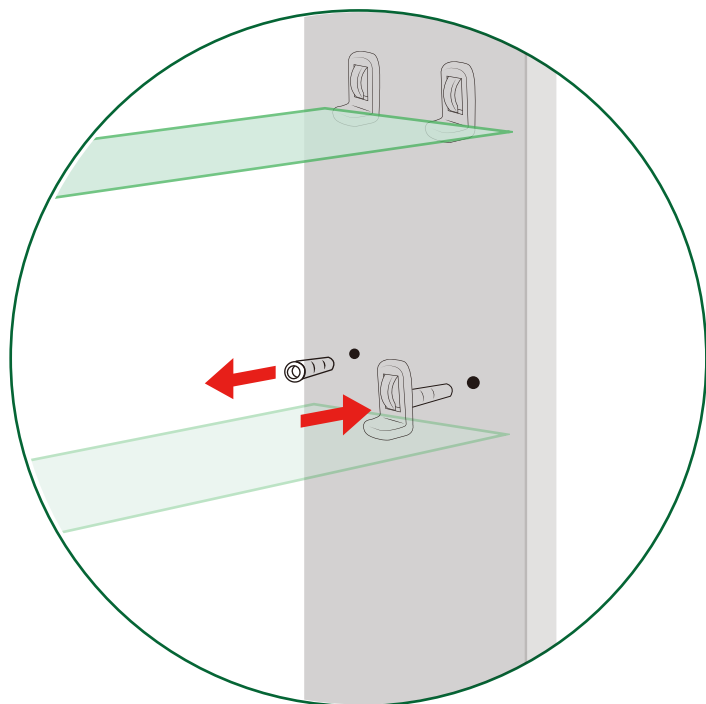
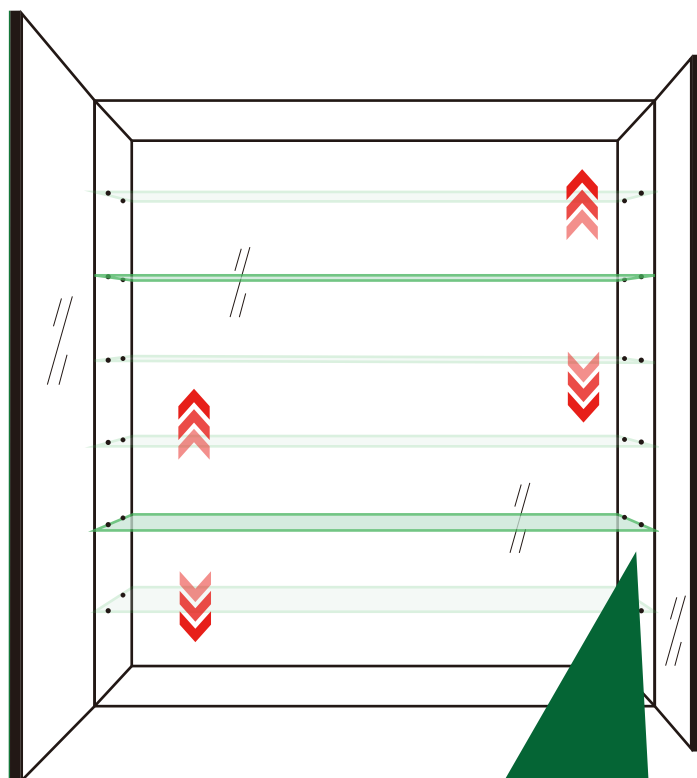
Step 5 Optional Door Adjustment



Step 6

Insert clear snap in shelf clips into holes on the sides of the cabinet.

Install the glass shelf.
Adjust the height according to your preference.





After power on, the button shows blue and it is in waiting state



Click the light button to turn on and the color changes to white
Click again to change the light color
Click the fourth time to turn off the light



LED



Long press to make the light gradually dims
Long press again and the light gradually brightens



Touch key to turn on/off defogging function.
When defogger is on, the button should be in blue color.
Defogger will turn off automatically after 60 minutes, touch the key to turn on.