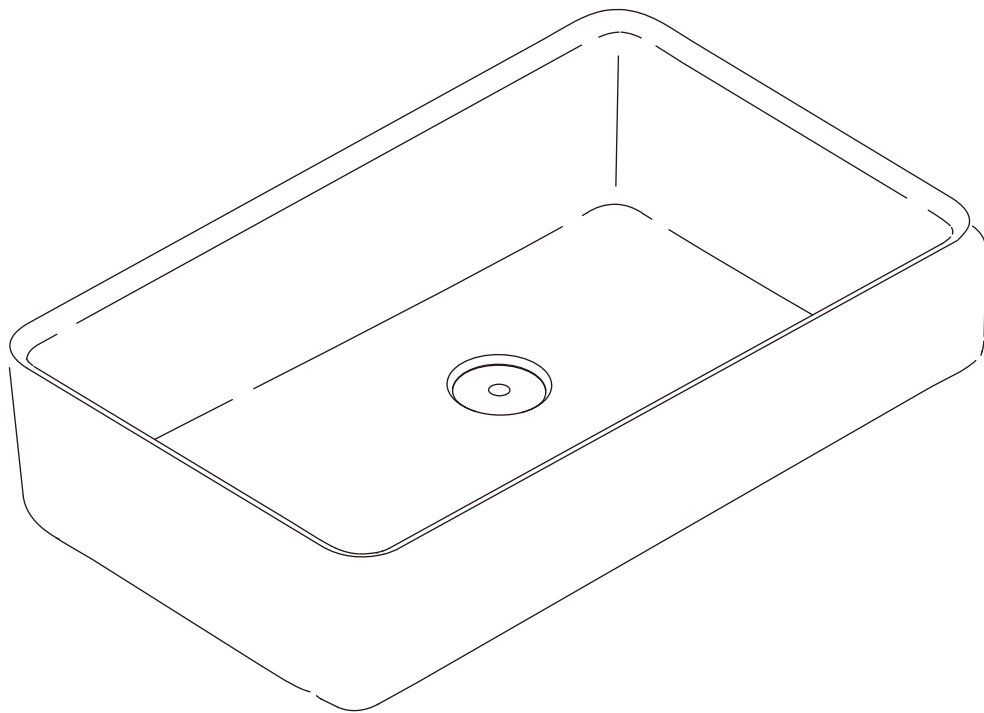


Fireclay Kitchen Sink

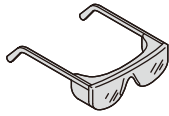
Installation Instruction



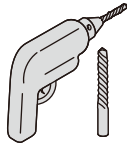
Tools and Materials Needed:



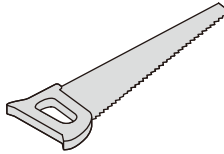
Tape Measure



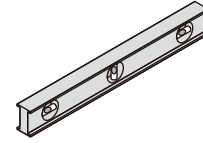
Eye Protector



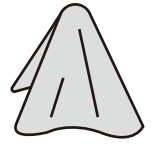
Power Drill



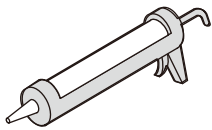
Hacksaw/Jigsaw



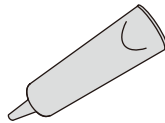
Level



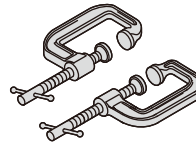
Cleaning Rags

silicone
adhesive sealant

Painter's Tape



Silicone Sealant



Framing Square



Pencil(NO ink)

General Recommendations:

- Please read installation and maintenance instructions thoroughly.
- Inspect your sink for any noticeable damage before installation.
- Check all local applicable plumbing and building codes.

These instructions are based on application to composite material or solid-surface countertop installation only; countertop application to stone, marble, granite or butcher-block should be referred to an experienced countertop fabricator for custom installation.

Due to the nature of Fireclay Farmhouse Sinks, we suggest using experienced and professional installers only. For custom cutting of countertop and installation of the actual sink, on-site installation is also recommended. Acceptable variances are approximately 1/8". Alignment to the cutout and precise application and trimming of any adhesive sealant are critical to a superior fit and finished look. Please take extra care in this regard.

Fireclay Farmhouse Sinks require custom cabinetry. Consult your cabinet dealer for details on the requirements for farmhouse sinks.

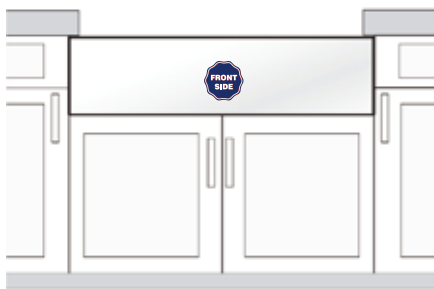
The supplier does not accept any liability for damage to countertop, sink fixture, faucets or personal injury during installation. Warranty is invalid if these installation instructions are not followed.



Be sure to use proper tools and always wear personal safety devices for your protection.

Installation Options:

Noted: Kitchen sink side with "FRONT SIDE" label should be installed outward. There are different installation options depending on your cabinet design.



Undermount Installation



Flush mount Installation

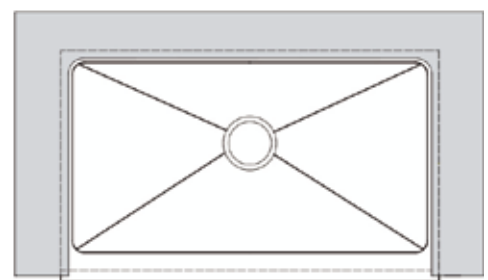
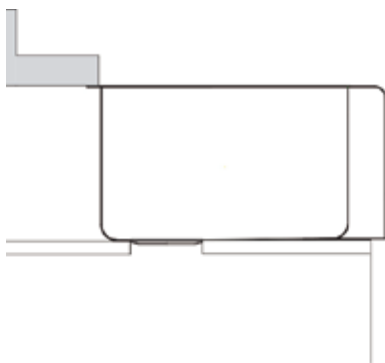


Built-up Installation



Caution: All installation types need to allow room for faucet installation. Ensure adequate clearance behind the sink for any faucet and backsplash, as well as full range of motion for faucet spouts and handles.

Typical undermount installation with 1/4" reveal is recommended.



Typical flush mount and built-up installation.

Built-up installation may expose sink sides to be raised up to 1" above the countertop.

Measuring status should be equal to the size of sink.

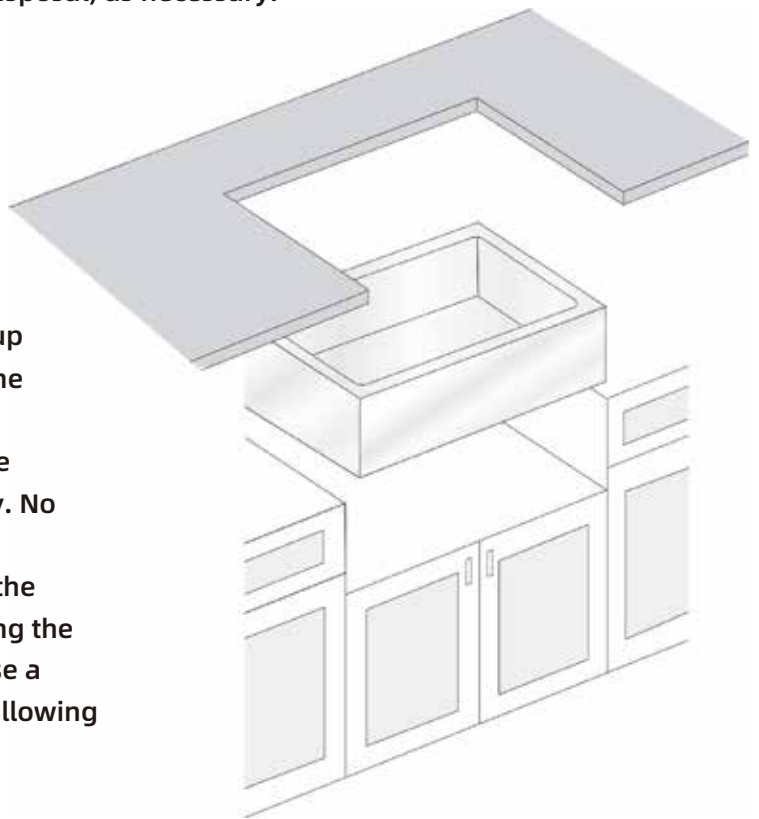
1. Prepare the Sink Base Cabinet

There are different installation options depending on your design.

Farmhouse sinks require custom sink base cabinets with a front cutout to accommodate a 10" deep sink. Build a plywood platform on a support frame inside the sink base cabinet. Platform must support the weight of the sink and any attachments such as garbage disposals. When the sink is placed onto a platform, make sure the top of the sink is evenly flush against the bottom of the countertop. Allow clearance for water supply lines, drains and garbage disposal, as necessary.

2. Make a Template and Cutout

Depending on the installation option, make proper cutout of the countertop. We recommend a 1/4" reveal on 3 sides when installed undermount style. For a flush mount or built-up installation, cut countertop along with outside line of the sink profile. The front end of Farmhouse sinks are designed to be installed 3/4" extended out beyond the front end of the countertop. Cut countertop accordingly. No template is provided due to the custom nature of each application and installation. The actual sink is used as the template guide for each installation type. After centering the sink and allowing for any faucets and backsplashes, use a pencil to outline the sink as your guide for the cutout, allowing for any reveal before the actual cutting.

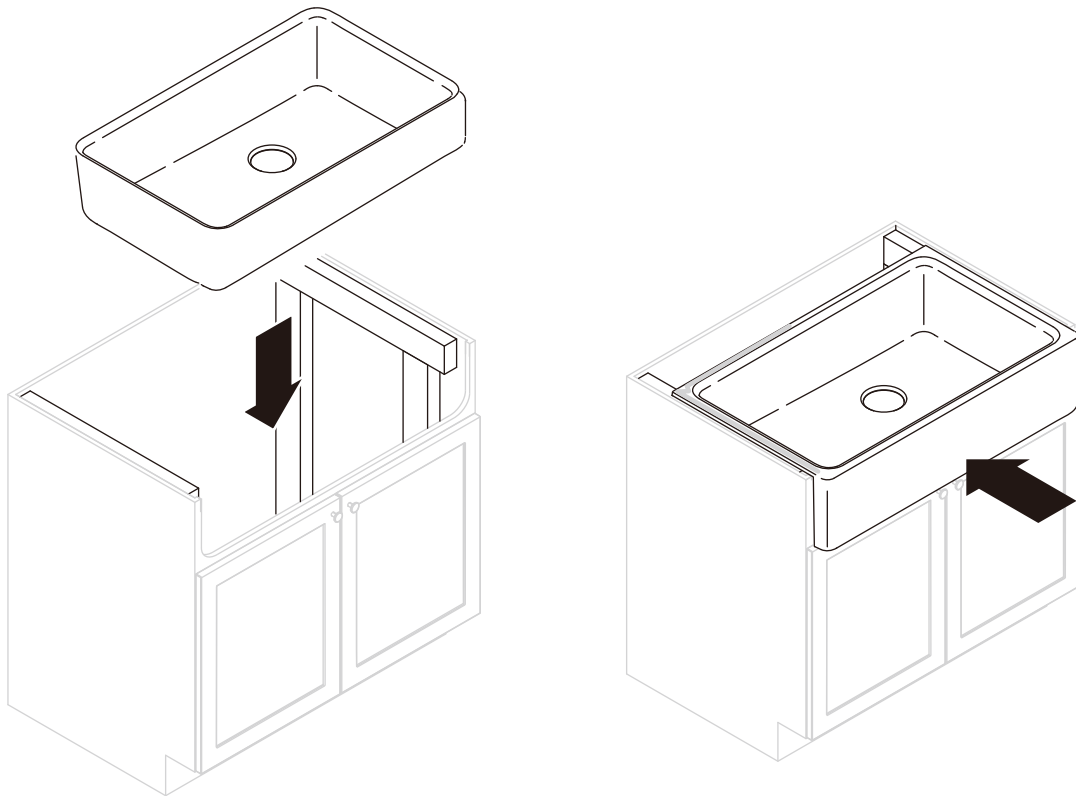


3. Set the Sink

Set the sink on top of the cabinet or into the cabinet front cutout. Apply sealant if necessary as a gasket between the sink and cabinet.

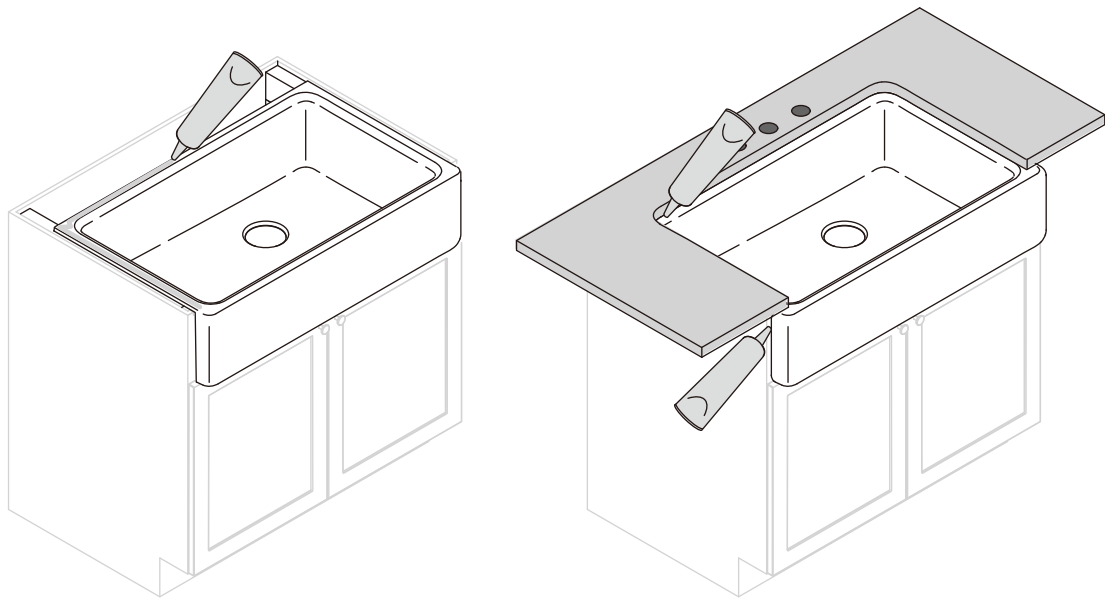
4. Install the Countertop

Carefully clean the bottom of the countertop and the top flange of the sink with denatured alcohol. Apply a bead of silicone adhesive (not supplied) around the edge of the sink. Place the countertop onto the sink, and remove excess sealant from the lip of the sink or any other surfaces with a cleaner recommended by the manufacturer of the adhesive sealant.



Install the Sink

- Lower the sink onto the supports; verify the sink is supported by the frame.
- Push the sink in to ensure the apron is flush to the front of the cabinet.
- Verify the sink is level; make any adjustments and shim as needed.



. Install the Countertop

- Apply a bead of silicone sealant around the side and back of the sink.
- Install the countertop.
- Apply a thin bead of silicone sealant where the sink meets the countertop and cabinet.
- Immediately wipe away any excess sealant.

Complete the Installation

- Install the faucet and the strainers according to the installation instructions.
- Connect the trap to the strainers.